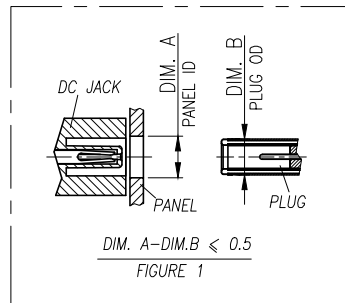
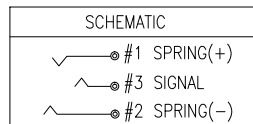
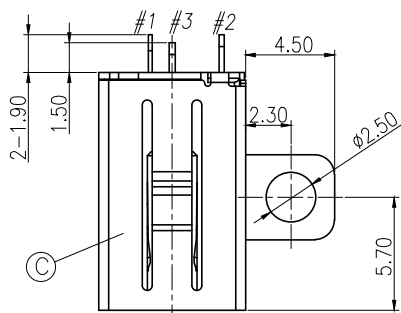


REV.	ECN NO OR DESCRIPTION	REVISED	DATE
A	PDR NO. T131212-5A	Allen	2014.03.04
B	ECN NO:S140315	SEAN	2014.07.01

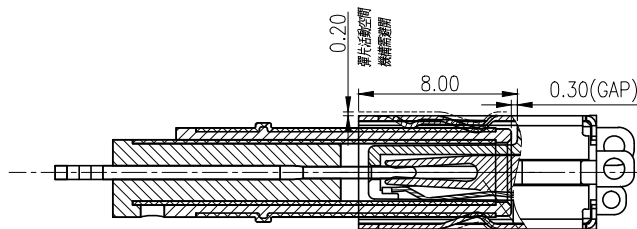
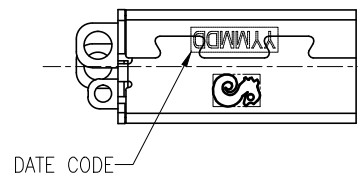
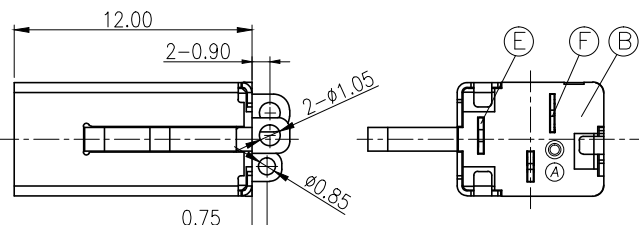
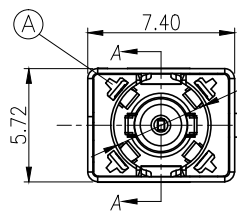


SPECIFICATIONS:

- ELECTRICAL CHARACTERISTICS:
 - RATING: 20V 5A
 - CONTACT RESISTANCE: 30mΩ MAX.
 - DIELECTRIC WITHSTANDING VOLTAGE: 500V AC FOR ONE MINUTE.
 - INSULATION RESISTANCE: 100MΩ MIN. MEASURED BY 500 VDC.
- MECHANICAL CHARACTERISTICS:
 - INSERTION FORCE: 2.5 Kgf MAX.
 - WITHDRAWAL FORCE: 0.8~2.0Kgf.
- LIFE TEST: 5,000 CYCLES.
- TO CONFORM TO SINGATRON HAZARDOUS SUBSTANCE FREE SPEC.
- HALOGEN FREE IDENTIFICATION MARK ON JACK:
- HALOGEN FREE IDENTIFICATION LABEL ON PACKAGING:
- FOR HAND SOLDERING LEAD-FREE PROCESS.
- PRINTED DATE CODE "YYMMDD".

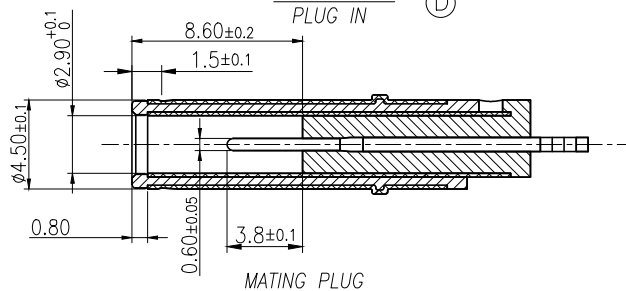


9. THE PANEL'S ID MUST BE GREATER THAN THE PLUG'S OD WHICH MUST HAVE A DIFFERENCE OF LESS THAN OR EQUAL TO 0.5 mm. (AS SHOWN IN FIGURE 1.)



SECTION A-A

PLUG IN



PLUG 型號 皇橫 45P06CV230-1A00-01

NO	DESCRIPTION	QTY	MATERIAL	PLATING & COLOR
F	SPRING(+)	1	COPPER ALLOY 0.20T	Gold Flash On Contact Area.
E	SPRING(-)	1	COPPER ALLOY 0.25T	Matte Sn120u"Min On Solder Tail.
D	SIGNAL	1	COPPER ALLOY 0.30T	All Over Ni 50u"Min.
C	SHELL	1	STAINLESS STEEL 0.25T	Ni 50u"Min.
B	COVER	1	HIGH TEMP.THERMOPLASTIC (HALOGEN FREE)UL 94V-0	BLACK
A	BODY	1	HIGH TEMP.THERMOPLASTIC (HALOGEN FREE)UL 94V-0	BLACK

UNLESS OTHERWISE SPECIFIED TOLERANCES

DECIMALS:	ANGLES:
X :±0.5	X :±2°
X.X :±0.3	X.X :±1°
X.XX :±0.2	

Singatron Enterprise Co., Ltd. 信音企業股份有限公司			
TITLE DC POWER JACK			
DWN	SEAN	PART NO. 2DC3069-005114F	
CHKD	CERRY	SCALE 4:1	UNIT: mm
APVD	MAX	SIZE: A3	SHEET: 1 OF 1
REV: B			

CUSTOMER COPY