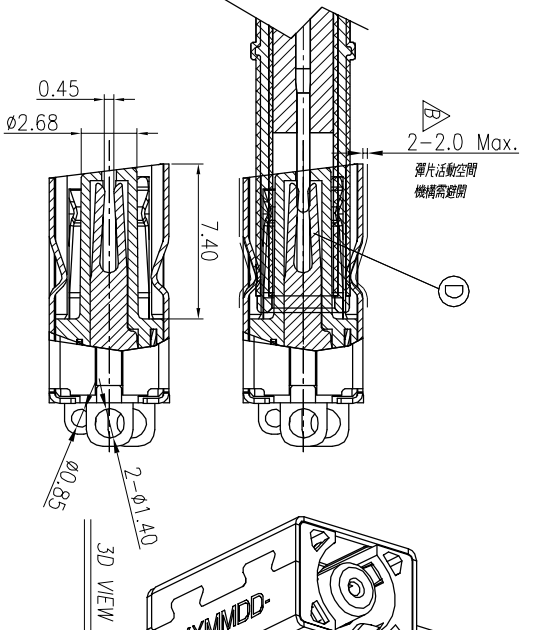
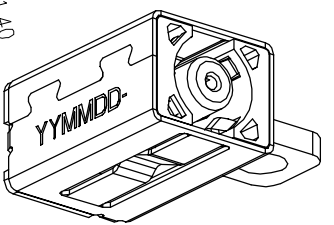
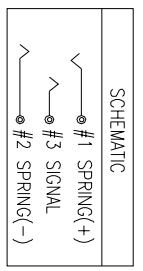
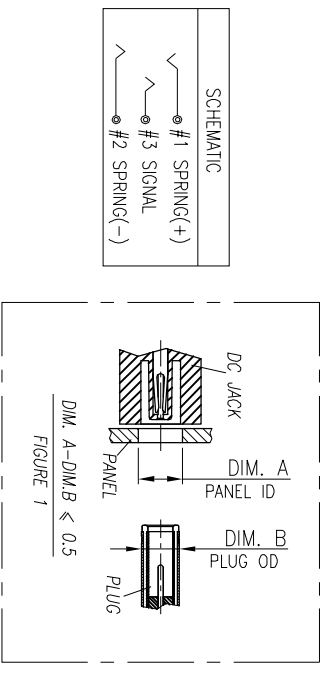


REV.	ECN NO.	OR DESCRIPTION	REVISED	DATE
A	PDR NO. T140108-4A		SpringWU	2014.07.09
B	ECN NO.: S151259-R		Ron	2015.12.28

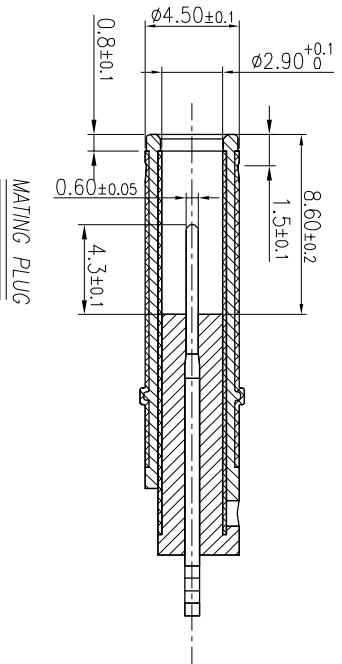
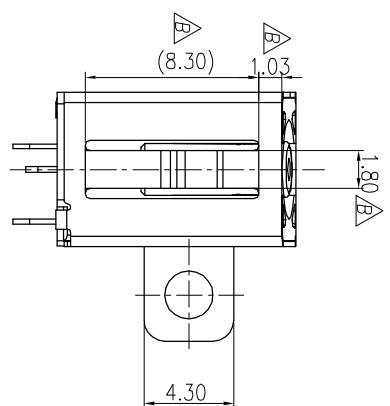
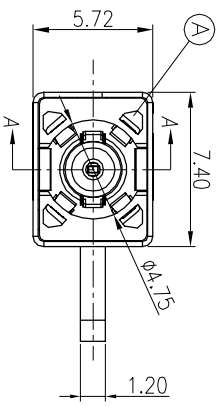
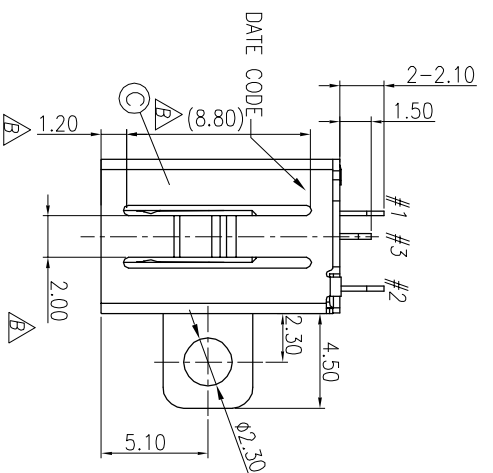
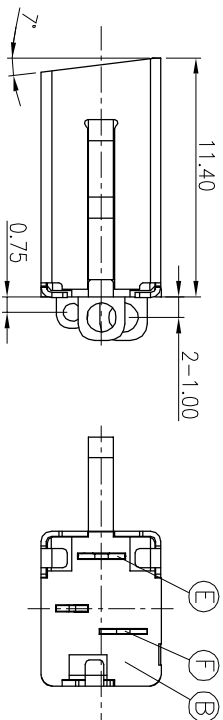
SPECIFICATIONS:

- ELECTRICAL CHARACTERISTICS:
  - RATING: 20V 7A
  - CONTACT RESISTANCE: 30mΩ MAX.
  - DIELECTRIC WITHSTANDING VOLTAGE: 500V AC FOR ONE MINUTE.
  - INSULATION RESISTANCE: 100MΩ MIN. MEASURED BY 500 VDC
- MECHANICAL CHARACTERISTICS:
  - INSERTION FORCE: 2.0 kgf MAX.
  - WITHDRAWAL FORCE: 0.7~2.0kgf (Initial): 0.6~2.0kgf (After Life Test)
  - LIFE TEST: 5,000 CYCLES.
  - TO CONFORM TO SINGATRON HAZARDOUS SUBSTANCE FREE SPEC.
  - GREEN PRODUCT IDENTIFICATION MARK ON JACK: (C)
  - GREEN PRODUCT IDENTIFICATION LABEL ON PACKAGING: (E)
  - FOR HAND SOLDERING LEAD-FREE PROCESS.
  - PRINTED DATE CODE "YMMDD":
    - DD: DAY
    - MM: MONTH
    - YY: YEAR

9. THE PANEL'S ID MUST BE GREATER THAN THE PLUG'S OD WHICH MUST HAVE A DIFFERENCE OF LESS THAN OR EQUAL TO 0.5 mm. (AS SHOWN IN FIGURE 1.)



SECTION A-A  
PLUG IN



F	SPRING(+)	1	COPPER ALLOY 0.20T	Gold Flush On Contact Area. Matte Sn 120u"Min On Solder Tail. All Over Ni 50u"Min.
E <td>SPRING(-)</td> <td>1</td> <td>COPPER ALLOY 0.25T</td> <td></td>	SPRING(-)	1	COPPER ALLOY 0.25T	
D <td>SIGNAL</td> <td>1</td> <td>COPPER ALLOY 0.30T</td> <td></td>	SIGNAL	1	COPPER ALLOY 0.30T	
C <td>SHELL</td> <td>1</td> <td>STAINLESS STEEL 0.25T</td> <td>Ni 50u"Min.</td>	SHELL	1	STAINLESS STEEL 0.25T	Ni 50u"Min.
B <td>COVER</td> <td>1</td> <td>HIGH TEMP THERMOPLASTIC (HALOGEN FREE)UL 94V-0</td> <td>BLACK</td>	COVER	1	HIGH TEMP THERMOPLASTIC (HALOGEN FREE)UL 94V-0	BLACK
A <td>BODY</td> <td>1</td> <td>HIGH TEMP THERMOPLASTIC (HALOGEN FREE)UL 94V-0</td> <td>BLACK</td>	BODY	1	HIGH TEMP THERMOPLASTIC (HALOGEN FREE)UL 94V-0	BLACK
NO <td>DESCRIPTION</td> <td>QTY</td> <td>MATERIAL</td> <td>PLATING &amp; COLOR</td>	DESCRIPTION	QTY	MATERIAL	PLATING & COLOR

UNLESS OTHERWISE SPECIFIED TOLERANCES

Singatron Enterprise Co., Ltd.  
信音企業股份有限公司

DC POWER JACK

PART NO. 2DC3069-006114F

SCALE 4:1 UNIT: mm

SIZE: A3 SHEET: 1 OF 1 REV: B

CUSTOMER COPY

DECIMALS:	ANGLES:
X : ±0.5	X : ±2°
X.X : ±0.3	X.X : ±1'
X.XX : ±0.2	