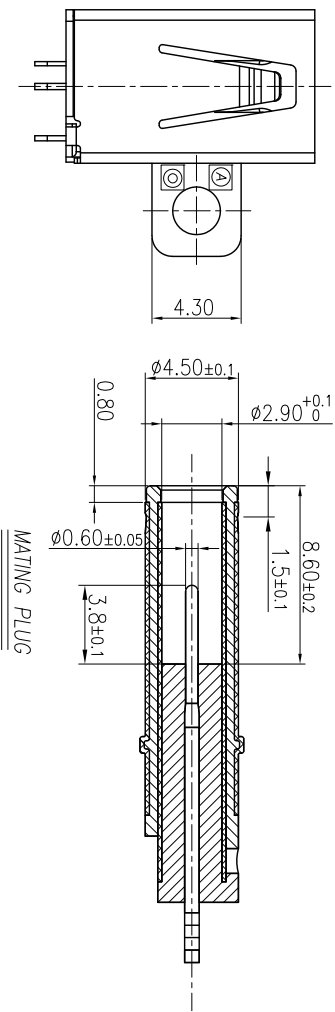
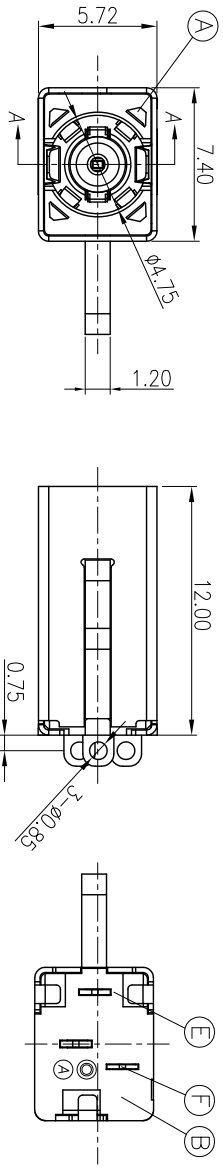
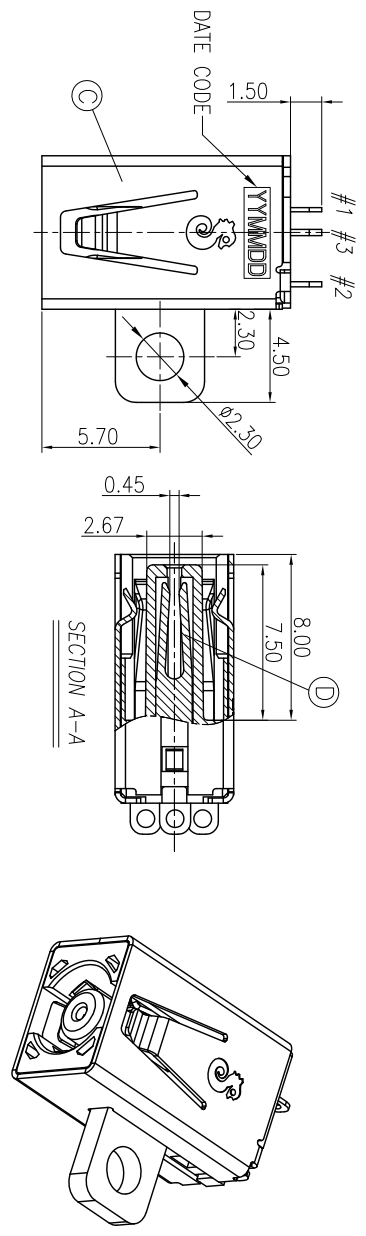
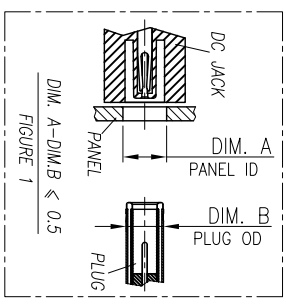
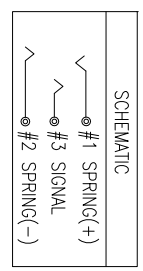


REV.	EGN NO OR DESCRIPTION	REVISED	DATE
A	PDR NO.1141028-1A	Jie	2015.03.19



- SPECIFICATIONS:
1. ELECTRICAL CHARACTERISTICS:
- 1-1. RATING: 20V 4A
  - 1-2. CONTACT RESISTANCE:  $30m\Omega$  MAX.
  - 1-3. DIELECTRIC WITHSTANDING VOLTAGE: 500V AC FOR ONE MINUTE.
  - 1-4. INSULATION RESISTANCE:  $100M\Omega$  MIN. MEASURED BY 500 VDC.
2. MECHANICAL CHARACTERISTICS:
- 2-1. INSERTION FORCE: 2.0 Kgf Max.
  - 2-2. WITHDRAWAL FORCE: INITIAL:MATING/UN-MATING:0.7~2.0 Kgf; AFTER 15K CYCLES :MATING/UN-MATING:0.5~2.0 Kgf.
3. LIFE TEST: 15000 CYCLES.
4. TO CONFORM TO SINGATRON HAZARDOUS SUBSTANCE FREE SPEC.
5. HALOGEN FREE PRODUCT IDENTIFICATION MARK ON JACK:
6. HALOGEN FREE PRODUCT IDENTIFICATION LABEL ON PACKAGING:
7. FOR HAND SOLDERING LEAD-FREE PROCESS.
8. PRINTED DATE CODE "YYMMDD".

9. THE PANEL'S ID MUST BE GREATER THAN THE PLUG'S OD WHICH MUST HAVE A DIFFERENCE OF LESS THAN OR EQUAL TO 0.5 mm.(AS SHOWN IN FIGURE 1.)



PLUG 型号: 皇權 45P06CV230-1A00-01

NO	DESCRIPTION	QTY	MATERIAL	PLATING & COLOR
F	SPRING(+)	1	COPPER ALLOY 0.20T	Gold Flash On Contact Area.
E	SPRING(-)	1	COPPER ALLOY 0.20T	Sn 120u Min On Solder Tail.
D	SIGNAL	1	COPPER ALLOY 0.20T	All Over Ni 50u Min.
C	SHELL	1	STAINLESS STEEL 0.25T	Ni 50u Min.
B	COVER	1	HIGH TEMP-THERMOPLASTIC (HALOGEN FREE)UL 94V-0	BLACK
A	BODY	1	HIGH TEMP-THERMOPLASTIC (HALOGEN FREE)UL 94V-0	BLACK

UNLESS OTHERWISE SPECIFIED TOLERANCES

DECIMALS: ANGLES:

X :±0.5 X :±2°

X.X :±0.3 X.X :±1°

X.XX :±0.2

TITLE: DC POWER JACK

DWM: jje PART NO. 2DC3069-008114F

CHKD: Sky SCALE 4:1 UNIT: mm

APVD: Lussen SIZE: A3 SHEET: 1 OF 1 REV: A

Singatron Enterprise Co., Ltd.  
信實企業股份有限公司

CUSTOMER COPY