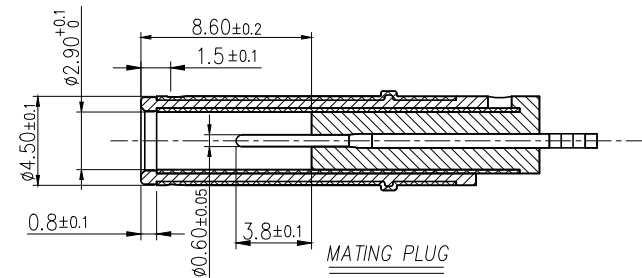
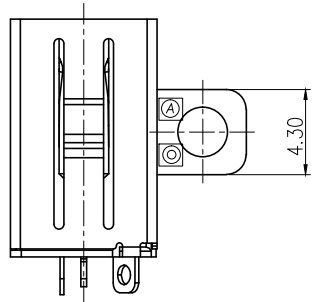
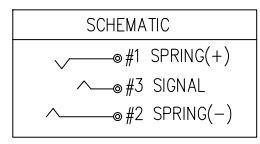
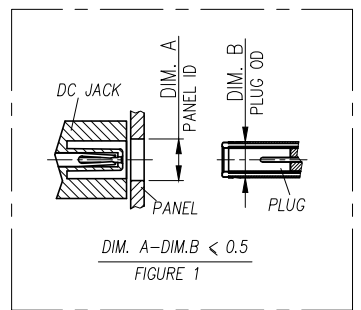
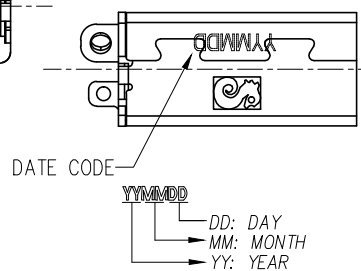
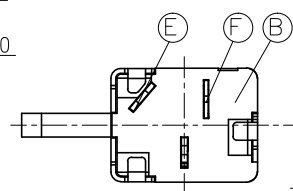
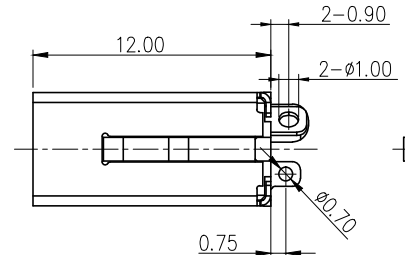
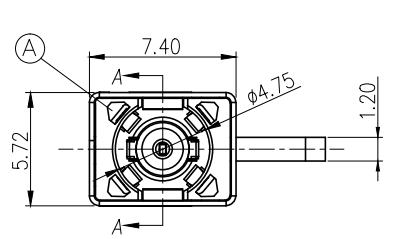
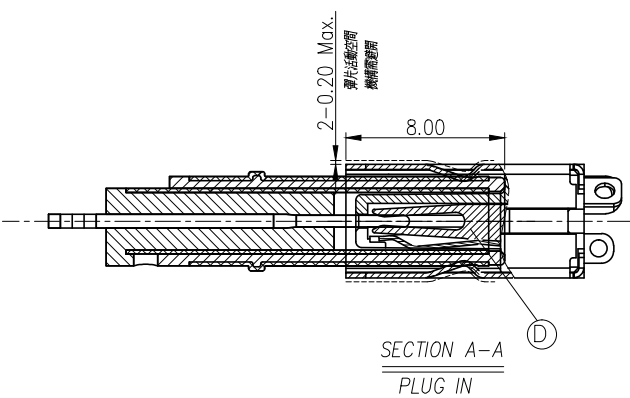
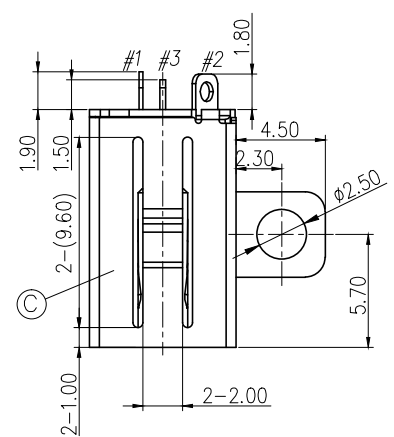


REV.	ECN NO OR DESCRIPTION	REVISED	DATE
C	ECN NO.S150912-C	Ken	2015.11.13
D	ECN NO.S151259-R	Ron	2016.02.15
E	ECN NO.S160320-C	YUREN	2016.04.08



PLUG 型號 皇積45P06CV230-1A00-01

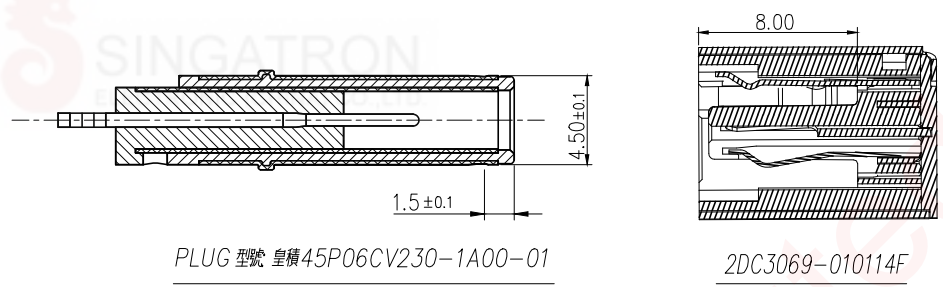
SPECIFICATIONS:

- ELECTRICAL CHARACTERISTICS:
 - 1-1. RATING: 20V 4A
 - 1-2. CONTACT RESISTANCE: 30mΩ MAX.
 - 1-3. DIELECTRIC WITHSTANDING VOLTAGE: 500V AC FOR ONE MINUTE.
 - 1-4. INSULATION RESISTANCE: 100MΩ MIN. MEASURED BY 500 VDC
- MECHANICAL CHARACTERISTICS:
 - 2-1. INSERTION FORCE: 2.5 Kgf Max.
 - 2-2. WITHDRAWAL FORCE: 0.7Kgf Min. (INITIAL)
AFTER 15K CYCLES : 0.6Kgf min. Δ
- LIFE TEST: 15,000 CYCLES.
- TO CONFORM TO SINGATRON HAZARDOUS SUBSTANCE FREE SPEC.
- HALOGEN FREE IDENTIFICATION MARK ON JACK: \odot
- HALOGEN FREE IDENTIFICATION LABEL ON PACKAGING: \oplus
- FOR HAND SOLDERING LEAD-FREE PROCESS.
- THE PANEL'S ID MUST BE GREATER THAN THE PLUG'S OD WHICH MUST HAVE A DIFFERENCE OF LESS THAN OR EQUAL TO 0.5 mm.(AS SHOWN IN FIGURE 1.)

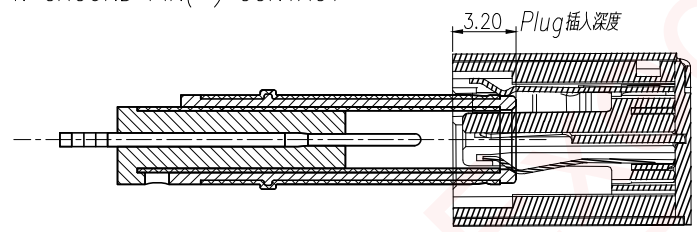
NO	DESCRIPTION	QTY	MATERIAL	PLATING & COLOR
F	SPRING(+)	1	COPPER ALLOY 0.2T	Pd/Ni30u"min.+Au5u"min.
E	SPRING(-)	1	PHOSPHOR BRONZE 0.25T	On contact Area.
D	SIGNAL	1	PHOSPHOR BRONZE 0.3T	MATTE Sn 120u" On Solder Tail;
C	SHELL	1	STAINLESS STEEL 0.25T	All Over Ni 50u"Min.
B	COVER	1	LCP+30%GF (HALOGEN FREE)UL 94V-0	BLACK
A	BODY	1	LCP+30%GF (HALOGEN FREE)UL 94V-0	BLACK

UNLESS OTHERWISE SPECIFIED TOLERANCES		Singatron Enterprise Co., Ltd. 信音企業股份有限公司	
DECIMALS:	ANGLES:	TITLE	
X :±0.5	X :±2°	DWN	YUREN PART NO. 2DC3069-010114F
X.X :±0.3	X.X :±1°	CHKD	CERRY SCALE 4:1 UNIT: mm
X.XX :±0.2		APVD	LIAO SIZE: A3 SHEET:1 OF 2 REV:E
CUSTOMER COPY			

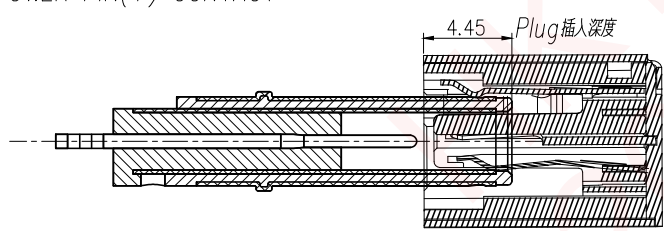
REV.	ECN NO OR DESCRIPTION	REVISED	DATE
C	ECN NO.S150912-C	Ken	2015.11.13
D	ECN NO.S151259-R	Ron	2016.02.15
E	ECN NO.S160320-C	YUREN	2016.04.09



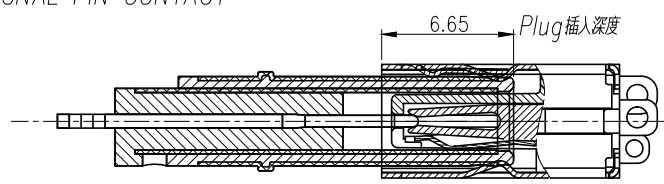
1. GROUND PIN(-) CONTACT



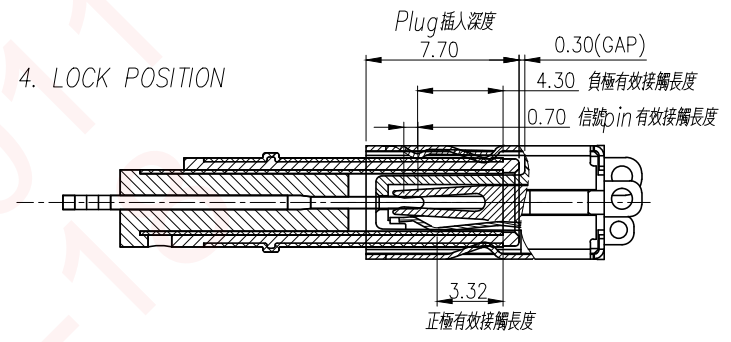
2. POWER PIN(+) CONTACT



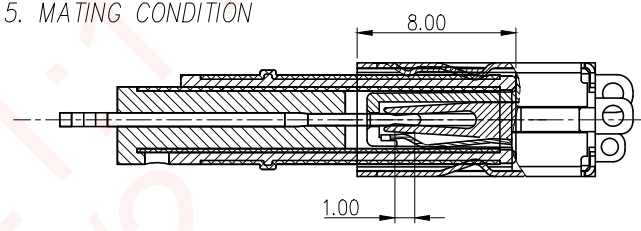
3. SIGNAL PIN CONTACT



4. LOCK POSITION



5. MATING CONDITION



UNLESS OTHERWISE SPECIFIED TOLERANCES

DECIMALS: X :±0.5
X.X :±0.3
X.XX :±0.2

ANGLES: X :±2°
X.X :±1°

Singatron Enterprise Co., Ltd.
信音企業股份有限公司

TITLE	DC POWER JACK		
DWN	YUREN	PART NO. 2DC3069-010114F	
CHKD	CERRY	SCALE 4:1	UNIT: mm
APVD	LIAO	SIZE: A3	SHEET: 2 OF 2

CUSTOMER COPY