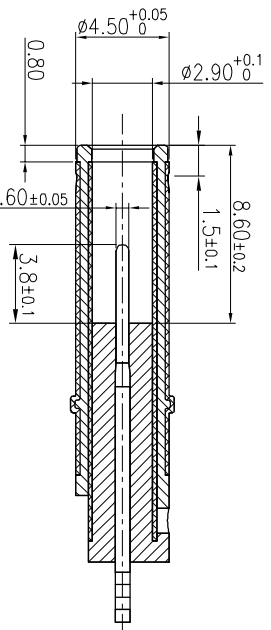
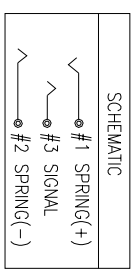
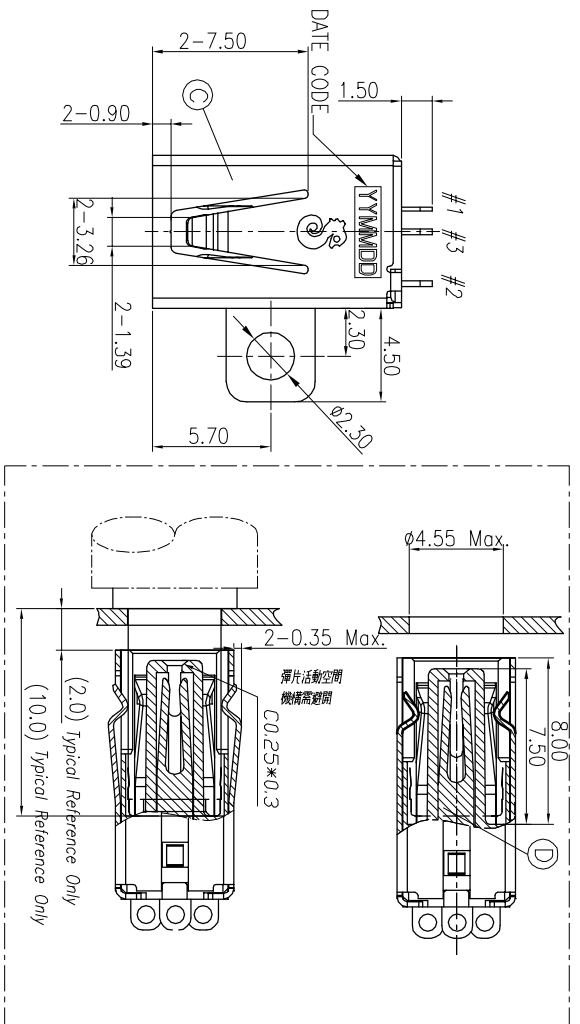


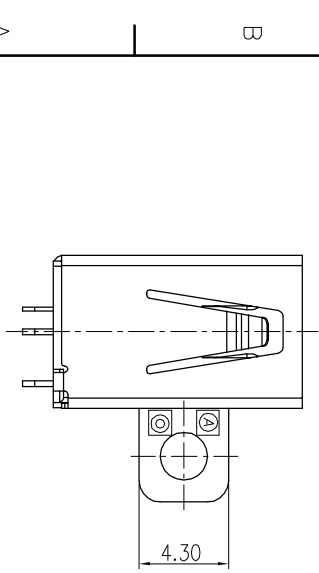
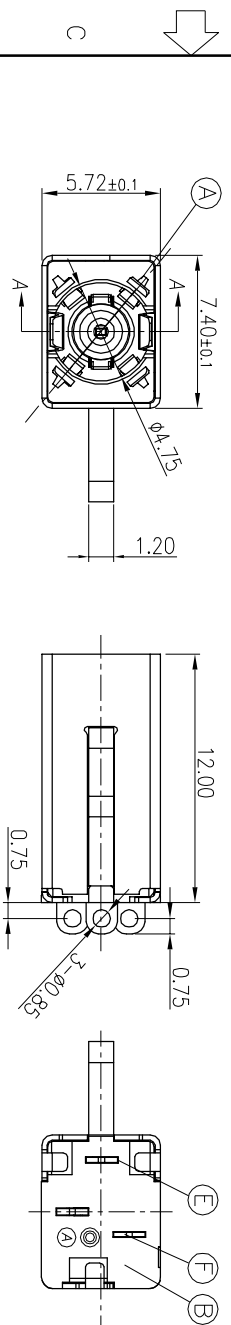
REV.	ECN NO.	OR DESCRIPTION	REVISED	DATE
A	PDR NO. T160323-11A	Ron		216.08.18

SPECIFICATIONS:
1. ELECTRICAL CHARACTERISTICS:

- 1-1. RATING: 20V 4A
 - 1-2. CONTACT RESISTANCE: 30mΩ MAX.
 - 1-3. DIELECTRIC WITHSTANDING VOLTAGE: 500V AC FOR ONE MINUTE.
 - 1-4. INSULATION RESISTANCE: 100MΩ MIN. MEASURED BY 500 VDC
2. MECHANICAL CHARACTERISTICS:
- 2-1. INSERTION FORCE: 2.0 kgf MAX.
 - 2-2. WITHDRAWAL FORCE: 0.6~2.0 kgf.
- 3. LIFE TEST: 5,000 CYCLES
 - 4. TO CONFORM TO SINGATRON HAZARDOUS SUBSTANCE FREE SPEC.
 - 5. GREEN PRODUCT IDENTIFICATION MARK ON JACK: (C)
 - 6. GREEN PRODUCT IDENTIFICATION LABEL ON PACKAGING: (E)
 - 7. FOR HAND SOLDERING LEAD-FREE PROCESS.
 - 8. PRINTED DATE CODE "YYMMDD":



PLUG 型號 皇精 45P06CV230-1A00-01



NO	DESCRIPTION	QTY	MATERIAL	PLATING & COLOR
F	SPRING(+)	1	COPPER ALLOY 0.20T	Gold Flash On Contact Area.
E	SPRING(-)	1	COPPER ALLOY 0.25T	Sn 120u Min. On Solder Tail.
D	SIGNAL	1	COPPER ALLOY 0.30T	All Over Ni 50u Min.
C	SHELL	1	STAINLESS STEEL 0.25T	Ni 50u Min.
B	COVER	1	HIGH TEMP-THERMOPLASTIC (HALOGEN FREE)UL 94V-0	BLACK
A	BODY	1	HIGH TEMP-THERMOPLASTIC (HALOGEN FREE)UL 94V-0	BLACK

UNLESS OTHERWISE SPECIFIED TOLERANCES

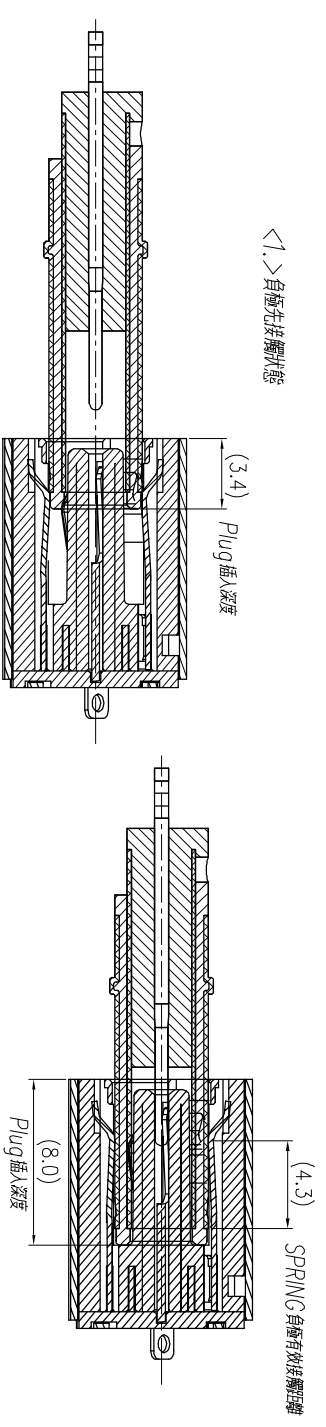
Singatron Enterprise Co., Ltd.
信登企業股份有限公司

DECIMALS:	ANGLES:	TITLE	DC POWER JACK
X : ±0.5	X : ±2°	DWN Ron	PART NO. 2DC3089-014114F
X.X : ±0.3	X.X : ±1°	CHKD Sky	SCALE 4:1 UNIT: mm
X.XX : ±0.2		APVD Lussen	SIZE: A3 SHEET: 1 OF 2 REV: A

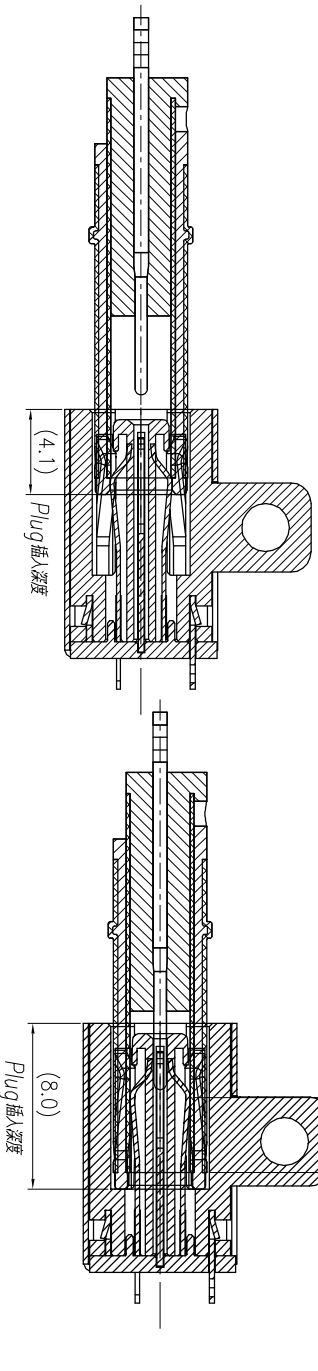
CUSTOMER COPY

REV.	EGN NO.	OR DESCRIPTION	REVISED	DATE
A	PDR NO.	T160323-11A	Ron	2016.08.18

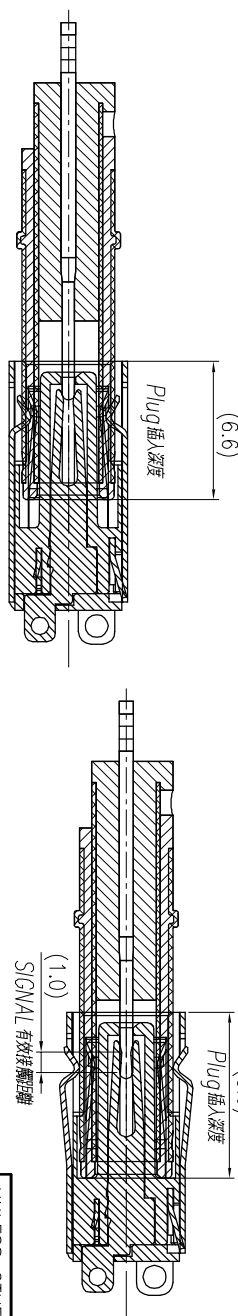
<4.> Plug full Mating 狀態



<2.> 正確接觸狀態



<3.> Signal 接觸狀態



UNLESS OTHERWISE SPECIFIED TOLERANCES

DECIMALS:	ANGLES:
X : ±0.5	X : ±2°
X.X : ±0.3	X.X : ±1'
X.XX : ±0.2	

Singatron Enterprise Co., Ltd.
信管企業股份有限公司

TITLE	DC POWER JACK			
DWN	Ron	PART NO.	2DC3089-014114F	
CHKD	Sky	SCALE	4:1	UNIT: mm
APVD	Lussen	SIZE	A3	SHEET: 2 OF 2
REV: A				
CUSTOMER COPY				