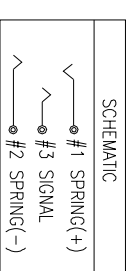
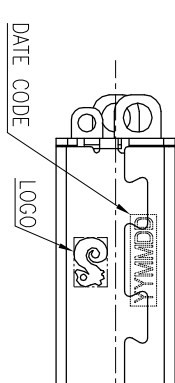


MATING PLUG/EUAN GEE-45P06CV230-1A00-01)
TOLERANCE: X:XX:±0.10

SPECIFICATIONS:

- ELECTRICAL CHARACTERISTICS:
 - 1-1. RATING: 20V 8A.
 - 1-2. CONTACT RESISTANCE: 30mΩ MAX.
 - 1-3. DIELECTRIC WITHSTANDING VOLTAGE: 500V AC FOR ONE MINUTE.
 - 1-4. INSULATION RESISTANCE: 100MΩ MIN. MEASURED BY 500 VDC.
- MECHANICAL CHARACTERISTICS:
 - 2-1. INSERTION FORCE: 2.5kgf Max.
 - 2-2. WITHDRAWAL FORCE: INITIAL 0.8kgf MIN.; AFTER LIFE TEST: 0.6kgf MIN.
 - TEMPERATURE RISE CAN'T EXCEED 30°C.
 - LIFE TEST: 5,000 CYCLES.
 - WEIGHT: 1.17g.
 - TO CONFORM TO SINGATRON HAZARDOUS SUBSTANCE FREE SPEC.
 - OTHER GENERAL SPEC. PLEASE REFER TO "2DC3069-017114F SPEC."
 - HALOGEN FREE IDENTIFICATION MARK ON JACK:
 - HALOGEN FREE IDENTIFICATION LABEL ON PACKAGING:
 - FOR HAND SOLDERING LEAD-FREE PROCESS.
 - PRINTED DATE CODE "YYMMDD" ON TOP OF CONNECTOR.



NO	DESCRIPTION	QTY	MATERIAL	PLATING & COLOR
F	SPRING(+)	1	COPPER ALLOY 0.20T	Au5u" over 25u" Pd/Ni on contact;
E	SPRING(-)	1	COPPER ALLOY 0.25T	Matte Sn 120u" Min On Solder;
D	SIGNAL	1	PHOSPHOR BRONZE 0.30T	All Over Ni 50u" Min.
C	SHELL	1	STAINLESS STEEL 0.25T	Ni 50u" Min.
B	COVER	1	THERMOPLASTIC UL 94V-0 (HALOGEN FREE)	BLACK
A	BODY	1		

DECIMALS:	ANGLES:
X :±0.5	X :±2°
X.X :±0.3	X.X :±1°
X.XX :±0.2	

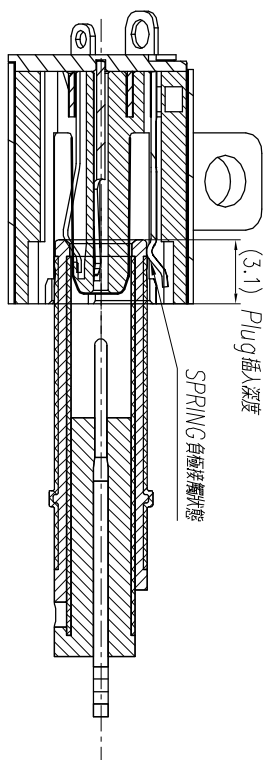
TITLE	DC POWER JACK
DWM Springwu	PART NO. 2DC3069-017114F
CHKD Sky	SCALE 4:1 UNIT: mm
APVD Lussen	SIZE: A3 SHEET: 1 OF 2 REV: A

CUSTOMER COPY

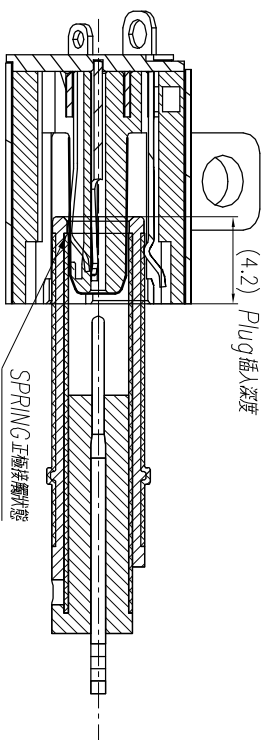
Singatron Enterprise Co., Ltd.
信音企業股份有限公司

REV	ECN NO. OR DESCRIPTION	REVISED	DATE
A	PDR NO. T161104-64	Springwu	2017.3.20

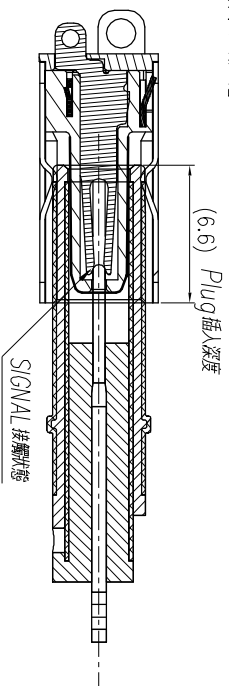
1. SPRING 自極接觸狀態



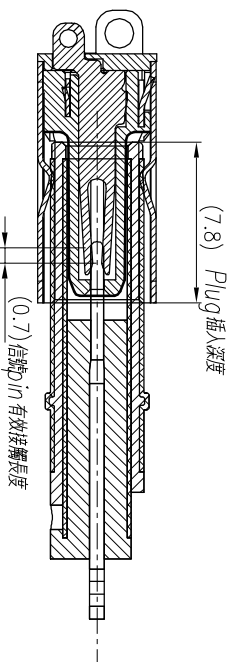
2. SPRING 正極接觸狀態



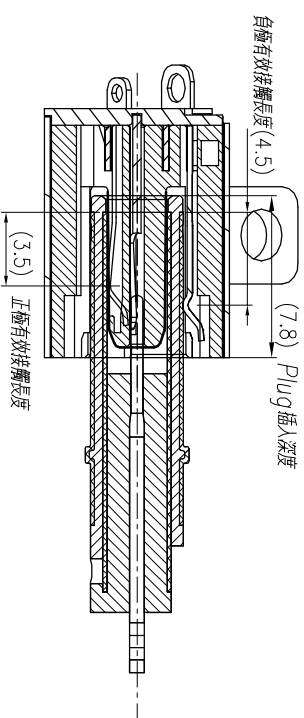
3. SIGNAL PIN 接觸狀態



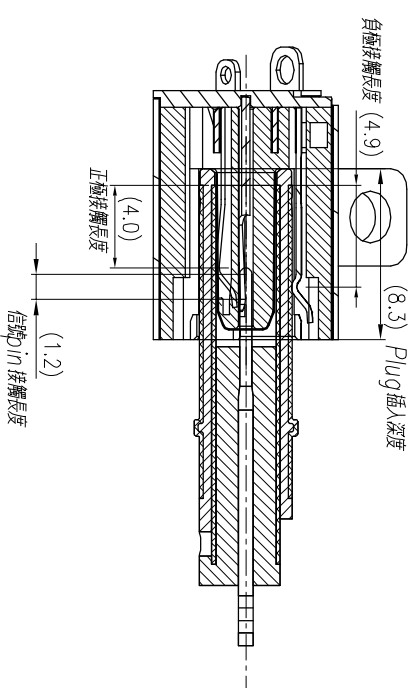
4. Lock 狀態-1




4. Lock 狀態-2



5. FULL INSERTION



ITEM	DESCRIPTION	QTY	MATERIAL	PLATING & COLOR
UNLESS OTHERWISE SPECIFIED TOLERANCES				
 Singatton Enterprise Co., Ltd. 信音企業股份有限公司				
TITLE		DC POWER JACK_MATING DRAWING		
DWN	Springwu	PART NO.	2DC38089-017114F	
CHKD	Sky	SCALE	4:1	UNIT: mm
APVD	Lussen	SIZE: A3	SHEET: 2 OF 2	REV: A
CUSTOMER COPY				

ITEM	DESCRIPTION	QTY	MATERIAL	PLATING & COLOR
UNLESS OTHERWISE SPECIFIED TOLERANCES				
 Singatton Enterprise Co., Ltd. 信音企業股份有限公司				
TITLE		DC POWER JACK_MATING DRAWING		
DWN	Springwu	PART NO.	2DC38089-017114F	
CHKD	Sky	SCALE	4:1	UNIT: mm
APVD	Lussen	SIZE: A3	SHEET: 2 OF 2	REV: A
CUSTOMER COPY				