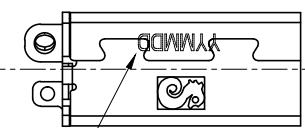
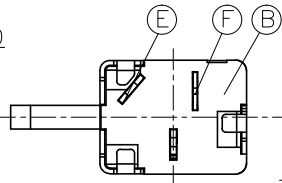
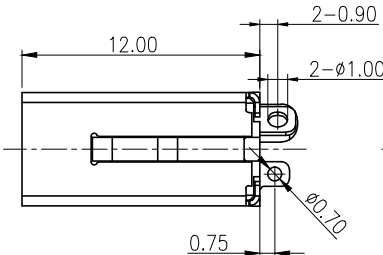
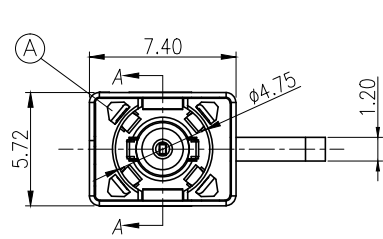
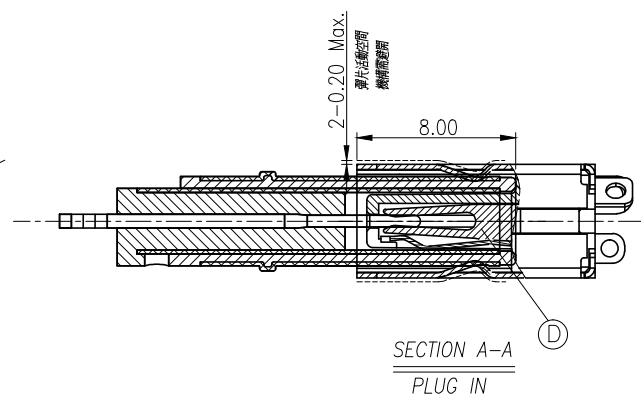
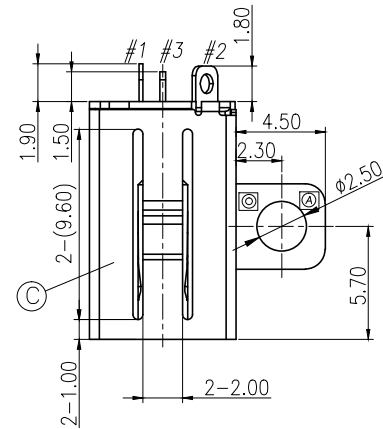
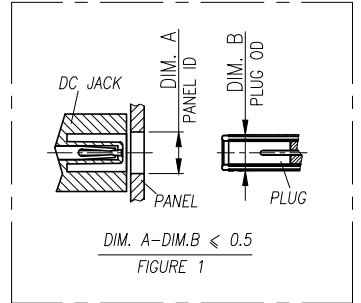


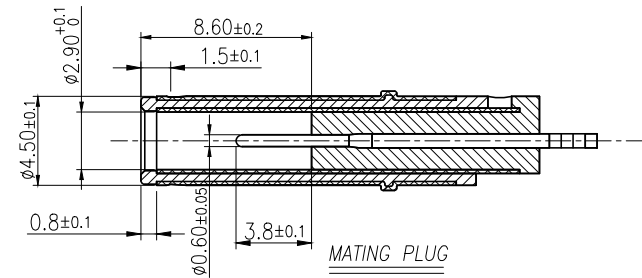
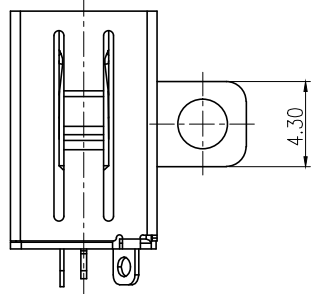
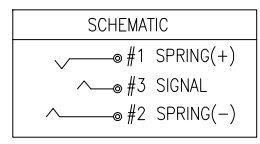
REV.	ECN NO OR DESCRIPTION	REVISED	DATE
A	PDR NO.:T210105-5A	Jie	2021.8.11



DATE CODE
 YYMMDD
 DD: DAY
 MM: MONTH
 YY: YEAR



- SPECIFICATIONS:
- ELECTRICAL CHARACTERISTICS:
 - RATING: 20V 4A
 - CONTACT RESISTANCE: 30mΩ MAX.
 - DIELECTRIC WITHSTANDING VOLTAGE: 500V AC FOR ONE MINUTE.
 - INSULATION RESISTANCE: 100MΩ MIN. MEASURED BY 500 VDC
 - MECHANICAL CHARACTERISTICS:
 - INSERTION FORCE: 2.5 Kgf Max.
 - WITHDRAWAL FORCE: 0.7Kgf Min. (INITIAL)
AFTER 15K CYCLES : 0.6Kgf min.
 - LIFE TEST: 15,000 CYCLES.
 - TO CONFORM TO SINGATRON HAZARDOUS SUBSTANCE FREE SPEC.
 - HALOGEN FREE IDENTIFICATION MARK ON JACK: (C)
 - HALOGEN FREE IDENTIFICATION LABEL ON PACKAGING: (R)
 - FOR HAND SOLDERING LEAD-FREE PROCESS.
 - THE PANEL'S ID MUST BE GREATER THAN THE PLUG'S OD WHICH MUST HAVE A DIFFERENCE OF LESS THAN OR EQUAL TO 0.5 mm.(AS SHOWN IN FIGURE 1.)

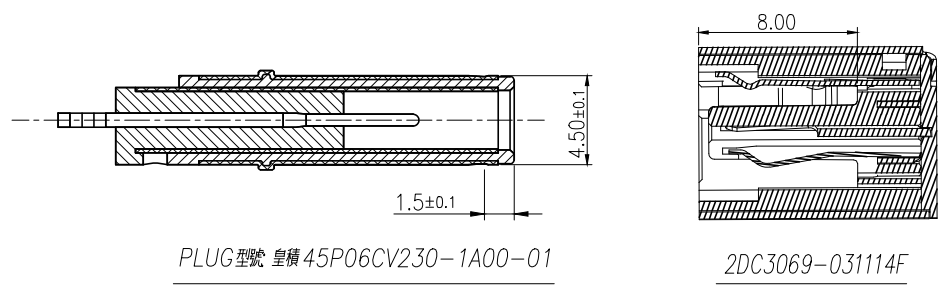


PLUG 型號 皇積 45P06CV230-1A00-01

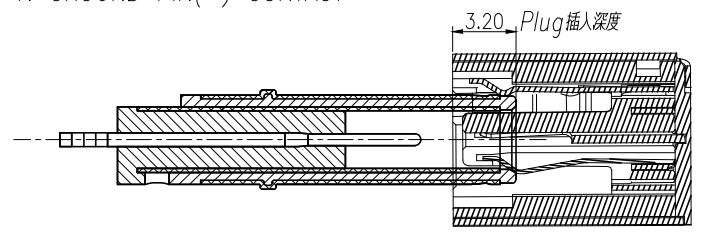
F	SPRING(+)	1	COPPER ALLOY 0.2T	Pd/Ni30u"min.+Au5u"min. On contact Area.
E	SPRING(-)	1	PHOSPHOR BRONZE 0.25T	MATTE Sn 120u" On Solder Tail;
D	SIGNAL	1	PHOSPHOR BRONZE 0.3T	All Over Ni 50u"Min.
C	SHELL	1	STAINLESS STEEL 0.25T	Ni 50u"Min.
B	COVER	1	LCP+30%GF (HALOGEN FREE)UL 94V-0	BLACK
A	BODY	1	PA66+30%GF (HALOGEN FREE)UL 94V-0	BLACK
NO	DESCRIPTION	QTY	MATERIAL	PLATING & COLOR

UNLESS OTHERWISE SPECIFIED TOLERANCES		Singatron Enterprise Co., Ltd. 信音企業股份有限公司	
DECIMALS:	ANGLES:	TITLE: DC POWER JACK	
X :±0.5	X :±2°	DWN	Jie PART NO. 2DC3069-031114F
X.X :±0.3	X.X :±1°	CHKD	Lussen SCALE 4:1 UNIT: mm
X.XX :±0.2		APVD	Liao SIZE: A3 SHEET:1 OF 2 REV:A
CUSTOMER COPY			

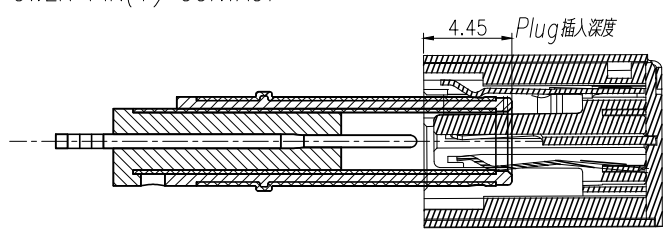
REV.	ECN NO OR DESCRIPTION	REVISED	DATE
A	PDR NO.:T210105-5A	Jie	2021.8.11



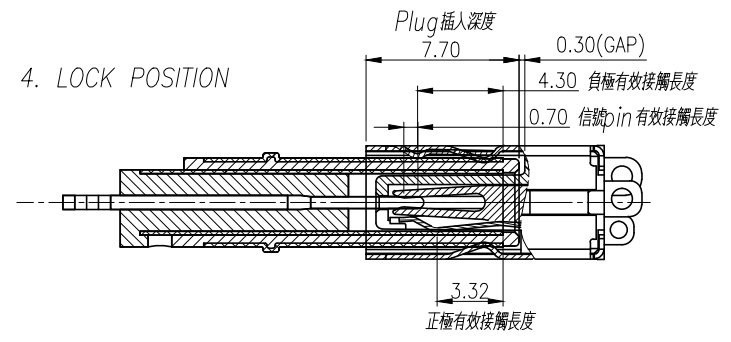
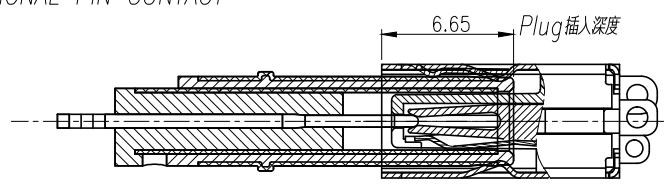
1. GROUND PIN(-) CONTACT



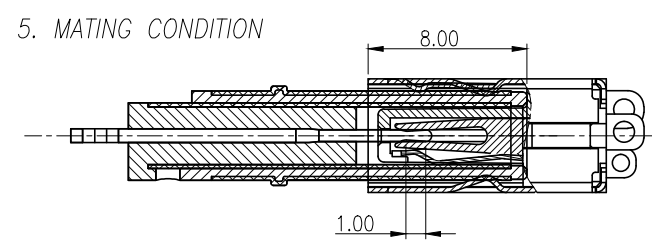
2. POWER PIN(+) CONTACT



3. SIGNAL PIN CONTACT



4. LOCK POSITION



5. MATING CONDITION

UNLESS OTHERWISE SPECIFIED TOLERANCES		Singatron Enterprise Co., Ltd. 信音企業股份有限公司	
DECIMALS:	ANGLES:	TITLE DC POWER JACK	
X :±0.5	X :±2°	DWN	Jie PART NO. 2DC3069-031114F
X.X :±0.3	X.X :±1°	CHKD	Lussen SCALE 4:1 UNIT: mm
X.XX :±0.2		APVD	Liao SIZE: A3 SHEET:2 OF 2 REV:A
CUSTOMER COPY			