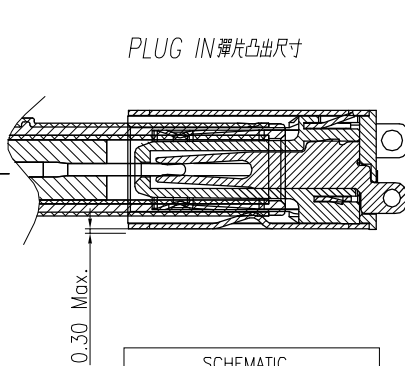
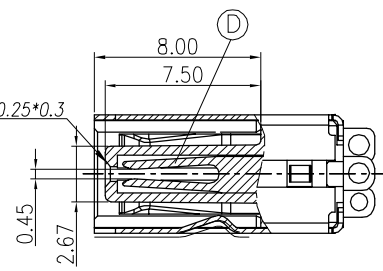
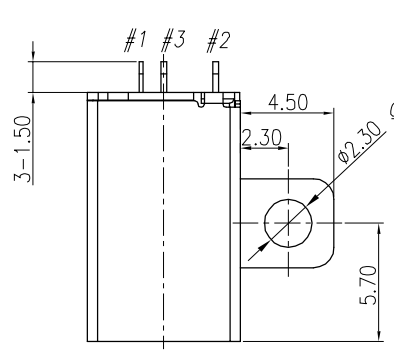


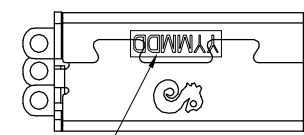
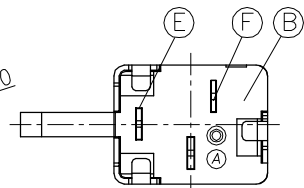
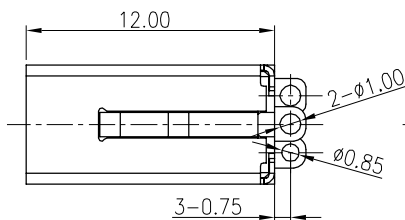
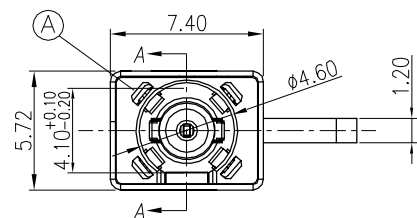
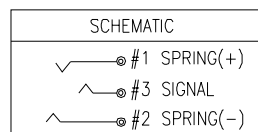
REV.	ECN NO OR DESCRIPTION	REVISED	DATE
A	PDR No.: T220606-3A	Shihang	2024.01.16

SPECIFICATIONS:

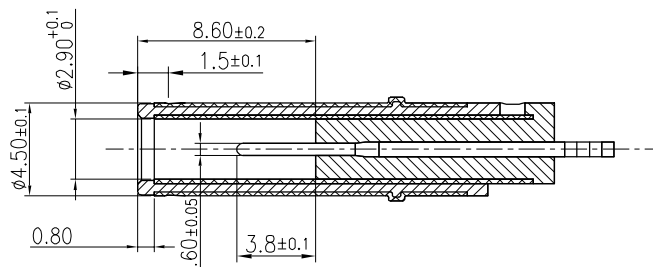
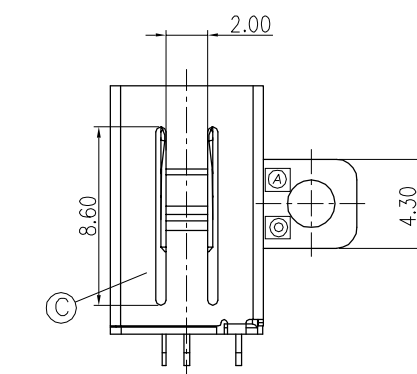
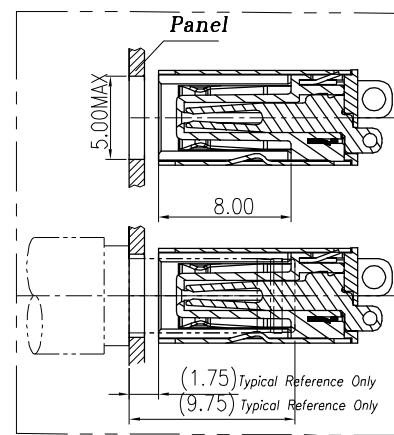
- ELECTRICAL CHARACTERISTICS:
  - RATING: 20V 4A
  - CONTACT RESISTANCE: 30mΩ MAX.
  - DIELECTRIC WITHSTANDING VOLTAGE: 500V AC FOR ONE MINUTE.
  - INSULATION RESISTANCE: 100MΩ MIN. MEASURED BY 500 VDC
- MECHANICAL CHARACTERISTICS:
  - INSERTION FORCE: 2.0 Kgf Max.
  - WITHDRAWAL FORCE: INITIAL: 1.2~2.0 Kgf.(Initial); 0.5~2.0 Kgf.(After Test)
- LIFE TEST: 15,000 CYCLES.
- TO CONFORM TO SINGATRON HAZARDOUS SUBSTANCE FREE SPEC.
- HALOGEN FREE PRODUCT IDENTIFICATION MARK ON JACK:
- HALOGEN FREE PRODUCT IDENTIFICATION LABEL ON PACKAGING:
- FOR HAND SOLDERING LEAD-FREE PROCESS.



SECTION A-A  
PLUG IN



DATE CODE  
DD: DAY  
MM: MONTH  
YY: YEAR



MATING PLUG

PLUG 型號 皇橫 45P06CV230-1A00-01

F	SPRING(+)	1	COPPER ALLOY 0.20T	Gold Flash On Contact Area.
E	SPRING(-)	1	COPPER ALLOY 0.25T	Matte Sn 120u"Min On Solder Tail.
D	SIGNAL	1	COPPER ALLOY 0.30T	All Over Ni 50u"Min.
C	SHELL	1	STAINLESS STEEL 0.25T	Ni 50u"Min.
B	COVER	1	HIGH TEMP.THERMOPLASTIC (HALOGEN FREE)JUL 94V-0	BLACK
A	BODY	1	HIGH TEMP.THERMOPLASTIC (HALOGEN FREE)JUL 94V-0	BLACK

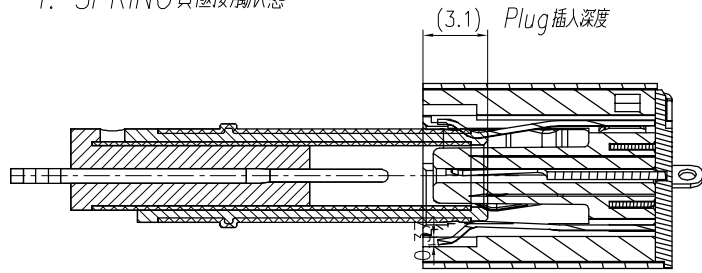
NO	DESCRIPTION	QTY	MATERIAL	PLATING & COLOR
UNLESS OTHERWISE SPECIFIED TOLERANCES				
			Singatron Enterprise Co., Ltd. 信音企業股份有限公司	

DECIMALS:	ANGLES:	TITLE	DC POWER JACK	
X : ±0.5	X : ±2°	DWN	Shihang	<b>PART NO. 2DC3069-036114F</b>
X.X : ±0.3	X.X : ±1°	CHKD	Spring	SCALE 4:1 UNIT: mm
X.XX : ±0.2		APVD	Liao	SIZE: A3 SHEET: 1 OF 2 REV:A

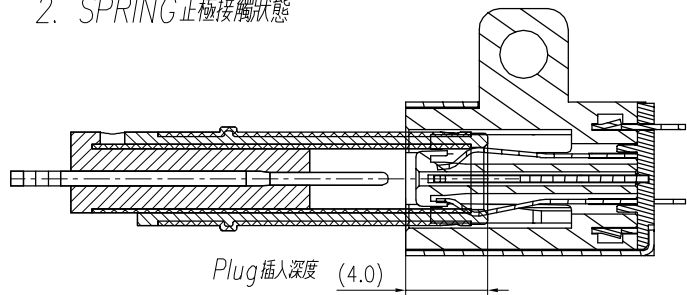
CUSTOMER COPY

REV.	ECN NO OR DESCRIPTION	REVISED	DATE
A	PDR No.: T220606-3A	Shihang	2024.01.16

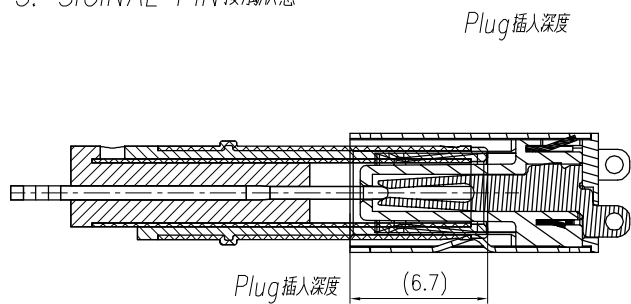
1. SPRING 負極接觸狀態



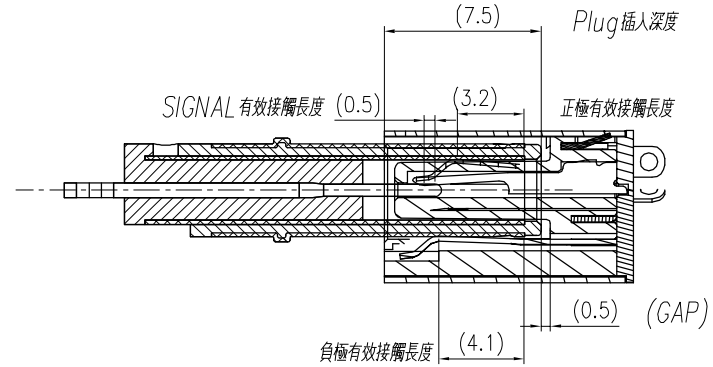
2. SPRING 正極接觸狀態



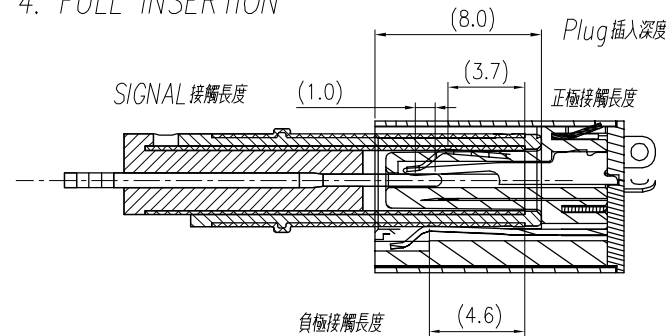
3. SIGNAL PIN 接觸狀態



3. LOCK 狀態



4. FULL INSERTION



ITEM	DESCRIPTION	QTY	MATERIAL	PLATING & COLOR
UNLESS OTHERWISE SPECIFIED TOLERANCES		Singatron Enterprise Co., Ltd. 信音企業股份有限公司		
DECIMALS:	ANGLES:	TITLE	DC POWER JACK_MATING DRAWING	
X :±0.5	X :±2°	DWN	Shihang	<b>PART NO. 2DC3069-036114F</b>
X.X :±0.3	X.X :±1°	CHKD	Spring	SCALE 4:1 UNIT: mm
X.XX :±0.2		APVD	Liao	SIZE: A3 SHEET:2 OF 2 <b>REV: A</b>
<b>CUSTOMER COPY</b>				