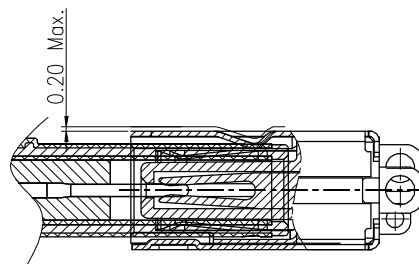
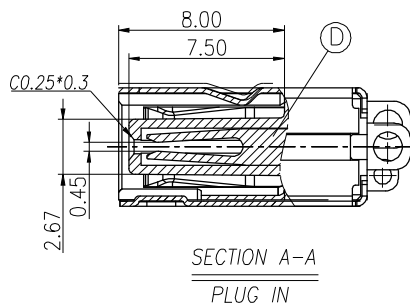
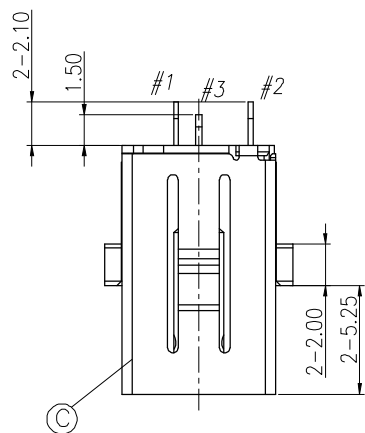


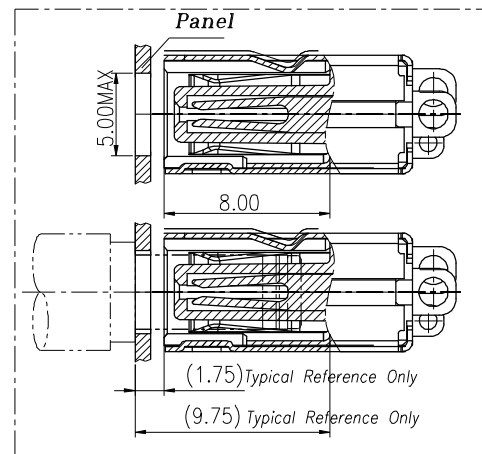
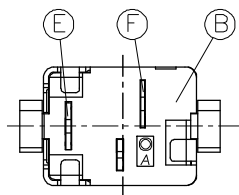
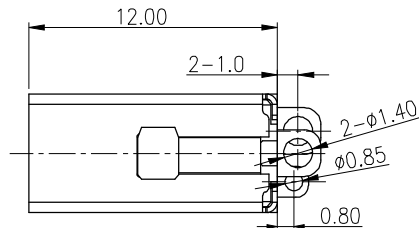
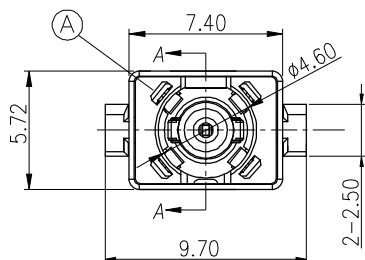
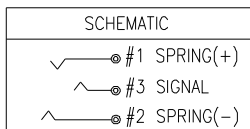
REV.	ECN NO OR DESCRIPTION	REVISED	DATE
A	PDR No.: T220606-4A	Springwu	2022.12.28

SPECIFICATIONS:

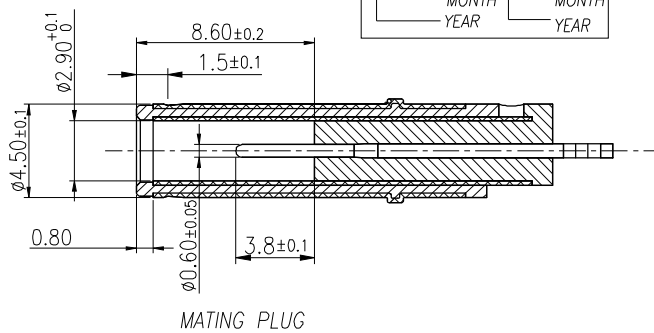
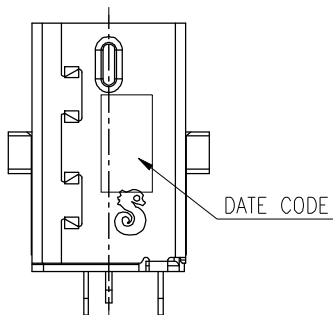
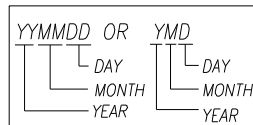
- ELECTRICAL CHARACTERISTICS:
 - RATING: 20V 7A.
 - CONTACT RESISTANCE: 30mΩ MAX.
 - DIELECTRIC WITHSTANDING VOLTAGE: 500V AC FOR ONE MINUTE.
 - INSULATION RESISTANCE: 100MΩ MIN. MEASURED BY 500 VDC
- MECHANICAL CHARACTERISTICS:
 - INSERTION FORCE: 2.0 Kgf Max.
 - WITHDRAWAL FORCE: INITIAL: 0.7~2.0 Kgf.
0.6~2.0 Kgf. (After 5000 life Cycles)
0.5~2.0 Kgf. (After 15000 life Cycles)
- LIFE TEST: 15,000 CYCLES.
- TO CONFORM TO SINGATRON HAZARDOUS SUBSTANCE FREE SPEC.
- OTHER GENERAL SPEC, PLEASE REFER TO "2DC3069-037114F SPEC".
- HALOGEN FREE PRODUCT IDENTIFICATION MARK ON JACK:
- HALOGEN FREE PRODUCT IDENTIFICATION LABEL ON PACKAGING:
- FOR HAND SOLDERING LEAD-FREE PROCESS.



PLUG IN彈片凸出尺寸



DATE CODE:



PLUG 型號: 皇構 5P06CV230-1A00-01

F	SPRING(+)	1	COPPER ALLOY 0.20T	Gold Flash On Contact Area.
E	SPRING(-)	1	COPPER ALLOY 0.25T	Matte Sn 120u"Min On Solder Tail.
D	SIGNAL	1	COPPER ALLOY 0.30T	All Over Ni 50u"Min.
C	SHELL	1	STAINLESS STEEL 0.25T	Ni 50u"Min.
B	COVER	1	HIGH TEMP.THERMOPLASTIC (HALOGEN FREE)JUL 94V-0	BLACK
A	BODY	1	TEMP.THERMOPLASTIC (HALOGEN FREE)JUL 94V-0	BLACK
NO	DESCRIPTION	QTY	MATERIAL	PLATING & COLOR

UNLESS OTHERWISE SPECIFIED TOLERANCES

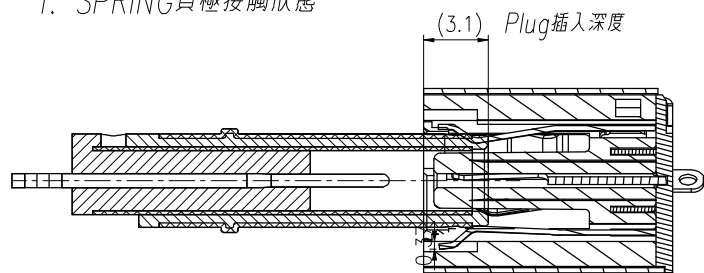
Singatron Enterprise Co., Ltd.
 信音企業股份有限公司

DECIMALS:	ANGLES:	TITLE	DC POWER JACK	
X : ±0.5	X : ±2°	DWN	Springwu	PART NO. 2DC3069-037114F
X.X : ±0.3	X.X : ±1°	CHKD	Lussen	SCALE 4:1 UNIT: mm
X.XX : ±0.2		APVD	Liao	SIZE: A3 SHEET: 1 OF 2

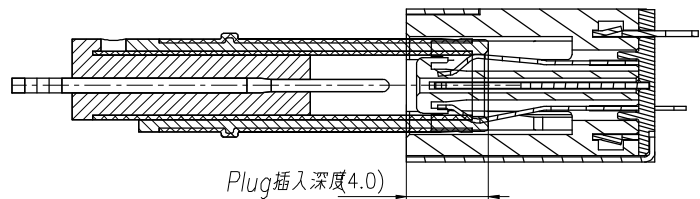
CUSTOMER COPY

REV.	ECN NO OR DESCRIPTION	REVISED	DATE
A	PDR No.: T220606-4A	Springwu	2022.12.28

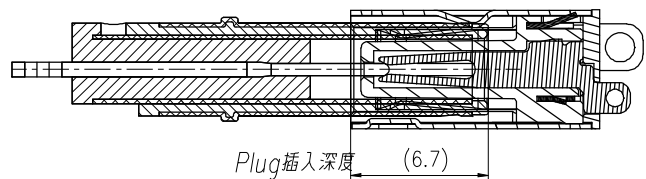
1. SPRING負極接觸狀態



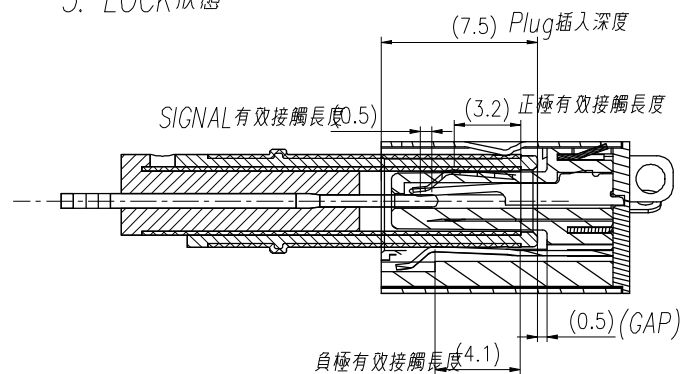
2. SPRING正極接觸狀態



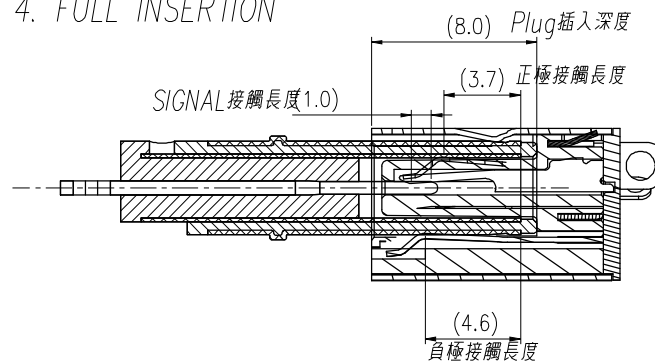
3. SIGNAL PIN接觸狀態



3. LOCK狀態



4. FULL INSERTION



ITEM	DESCRIPTION	QTY	MATERIAL	PLATING & COLOR
UNLESS OTHERWISE SPECIFIED TOLERANCES		Singatron Enterprise Co., Ltd. 信音企業股份有限公司		
DECIMALS:	ANGLES:	TITLE	DC POWER JACK_MATING DRAWING	
X : ±0.5	X : ±2°	DWN	Springwu	PART NO. 2DC3069-037114F
X.X : ±0.3	X.X : ±1°	CHKD	Lussen	SCALE 4:1 UNIT: mm
X.XX : ±0.2		APVD	Liao	SIZE: A3 SHEET: 2 OF 2 REV:2
CUSTOMER COPY				