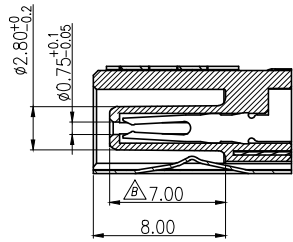
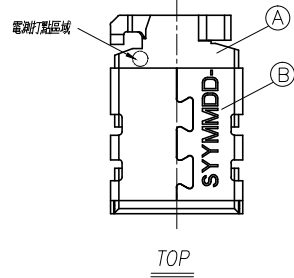
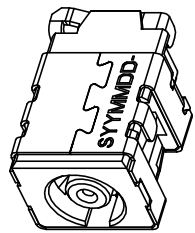
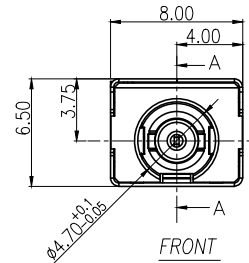


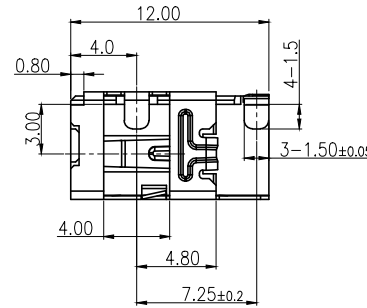
1 2 3 4 5 6 7 8



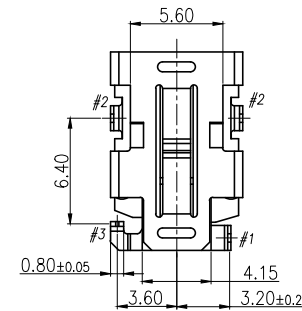
SECTION A-A



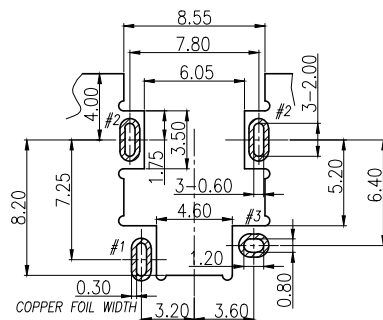
FRONT



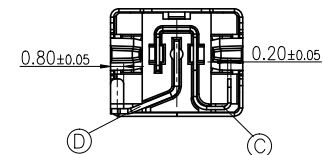
SIDE



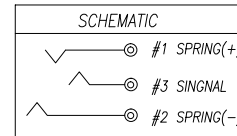
BOTTOM



RECOMMEND P.C.B LAYOUT  
(TOLERANCES: ±0.05) TOP VIEW



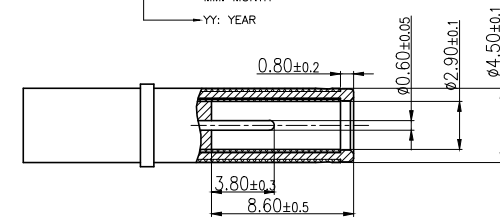
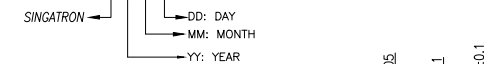
BACK



REV.	ECN NO OR DESCRIPTION	Requested	REVISED	DATE
A	PDR NO.T120406-3A	SINGATRON-Springwu	Springwu	2012.07.20
B	ECN NO.S161011-C	SINGATRON-YUREN	YUREN	2017.1.17

SPECIFICATIONS:

- Electrical Spec:
  - Rated Current: 6.5A
  - Rated Voltage: 20V
  - Insulation Resistance: 100MΩ MIN. After By 500 VDC for 1 minute
  - Dielectric Withstanding Voltage: 500V AC for 1 minute.
  - Contact Resistance: 30mΩ Max.
- Mechanical Spec:
  - Insertion Force: 0.8~3.0Kgf.
  - Withdrawal Force : 0.6~2.5Kgf.
- Weight: 0.95 Gram.
- Temperature rise can't exceed 30°C MAX.
- Life Test(Insertion/Withdrawal): 5,000 Cycles Min.
- To Conform To SINGATRON Hazardous Substance Free Spec.
- Other general SPEC, please refer to "2DC3071 SERIES SPEC".
- Halogen Free Product Identification Mark On Jack:
- Halogen Free Product Identification Label On Packaging:
- For Reflow Soldering Lead-Free Process.
- Printed Date Code "SYMMDD" on top of connector.



MATING PLUG

TOLERANCE: X.XX: ±0.10

PLUG 型號 皇綱 45P06CV230-1A00-01

ITEM	DESCRIPTION	QTY	MATERIAL/THICK(mm)	FINISH
D	SIGNAL	1	C5210 0.30T	GOLD FLASH OVER Ni 50u" MIN.
C	SPRING+	1	C5210 0.20T	GOLD FLASH ON SOLDER TAIL; OVER Ni 50u" MIN.
B	SHELL	1	C5210 0.20T	GOLD FLASH ON SOLDER TAIL; OVER Ni 50u" MIN.
A	BODY	1	PA10T+30%GF UL 94V-0	BLACK

UNLESS OTHERWISE SPECIFIED TOLERANCES

Singatron Enterprise Co., Ltd.  
信音企業股份有限公司

DECIMALS: ANGLES:  
X : ±0.5 X : ±2°  
X.X : ±0.3 X.X : ±1°  
X.XX : ±0.2

TITLE	DC POWER JACK		
DWN	YUREN	PART NO. 2DC3071-000111F	
CHKD	CERRY	SCALE 3:1	UNIT: mm
APVD	LIAO	SIZE: A3	SHEET: 1 OF 1
REV: B			

CUSTOMER COPY

1 2 3 4 5 6 7 8