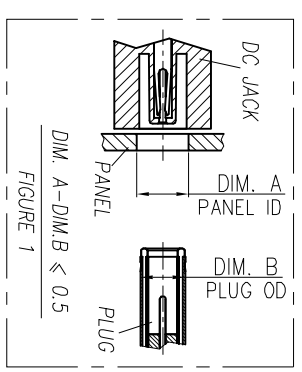
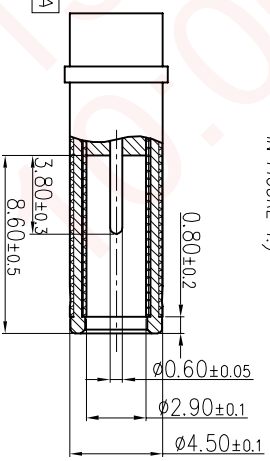
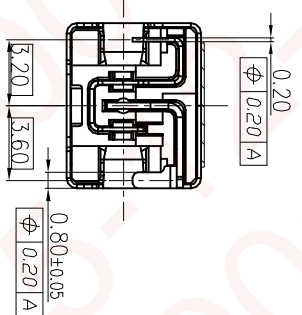
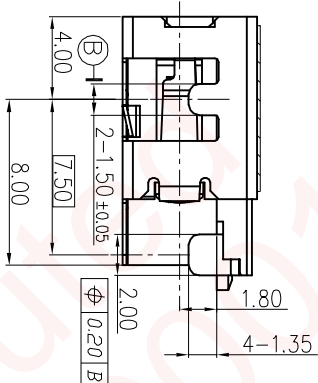
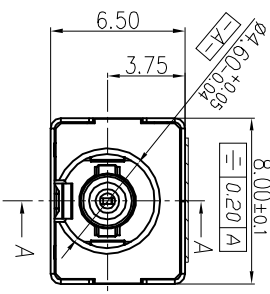


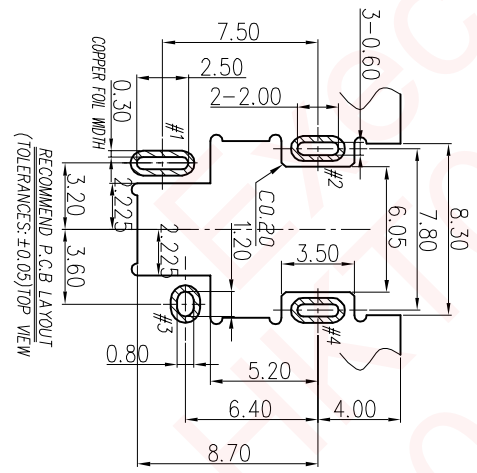
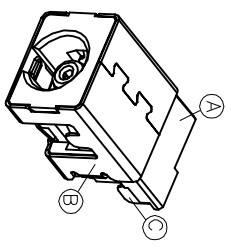
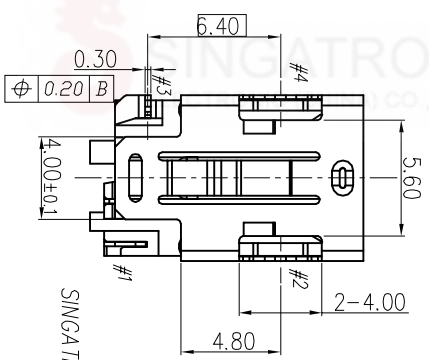
SPECIFICATIONS:

- ELECTRICAL SPEC:
 - RATED CURRENT: 11.5A
 - RATED VOLTAGE: 20V
 - INSULATION RESISTANCE: 100MΩ MIN. AFTER BY 500 VDC FOR 1 MINUTE
 - DIELECTRIC WITHSTANDING VOLTAGE: 500V AC FOR 1 MINUTE.
 - CONTACT RESISTANCE: 30mΩ MAX.(INITIAL)
- MECHANICAL SPEC:
 - INSERTION FORCE: 3.0kgf MAX.
 - WITHDRAWAL FORCE : 0.4~2.5kgf.
 - WEIGHT: 1.0 GRAM.
 - TEMPERATURE RISE CAN'T EXCEED 30°C MAX.
 - LIFE TEST(INSERTION/WITHDRAWAL): 5,000 CYCLES MIN.
 - OTHER GENERAL SPEC, PLEASE REFER TO "2DC3071 SERIES SPEC".
 - HALOGEN FREE PRODUCT IDENTIFICATION MARK ON JACK: (C)
 - HALOGEN FREE PRODUCT IDENTIFICATION LABEL ON PACKAGING: (C)
 - FOR REFLOW SOLDERING LEAD-FREE PROCESS.
 - THE PANEL'S ID MUST BE GREATER THAN THE PLUG'S OD WHICH MUST HAVE A DIFFERENCE OF LESS THAN OR EQUAL TO 0.50mm.(AS SHOWN IN FIGURE 1.)



MATING PLUG
PLUG 型号: 45P06CV230-1A00-01

TOLERANCE: X:XX: ±0.10



ITEM	DESCRIPTION	QTY	MATERIAL/THICK(mm)	FINISH
E	MYLAR	1	MYLAR 0.075t	YELLOW
D	SIGNAL	1	C5210-EH 0.30T	Pd/NI (300" MIN.)JACK/OD PLATED(50" MIN.) ON CONTACT AREA. MATTE Sn 1200" MIN. ON SOLDER TAIL. ALL OVER IN 500" MIN.
C	SPRING+	1	C7035-TM04 0.20T	Pd/NI (300" MIN.)JACK/OD PLATED(50" MIN.) ON CONTACT AREA. ALL OVER IN 500" MIN.
B	SHELL	1	C7025-TM02 0.20T	BLACK
A	BODY	1	PA4T+3028GF TITIXI UL 94V-0	BLACK

Singatron Enterprise Co., Ltd.
信音企業股份有限公司

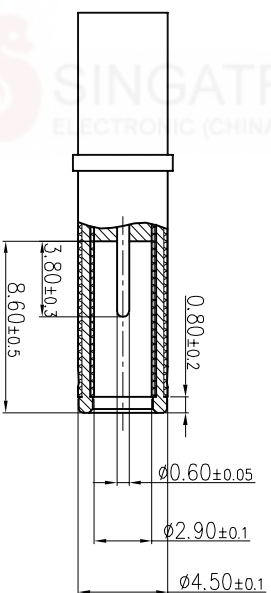
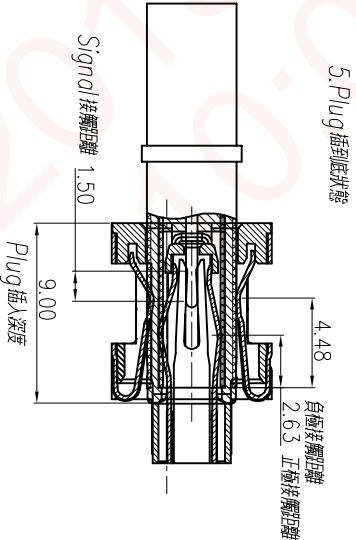
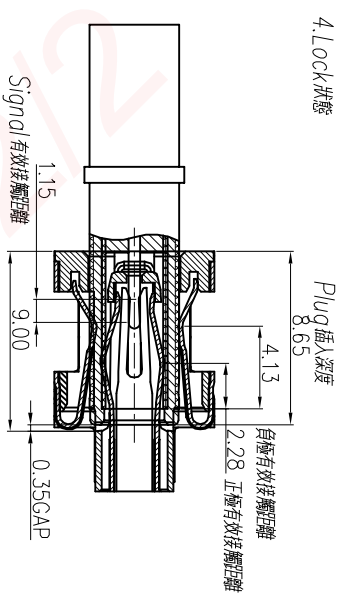
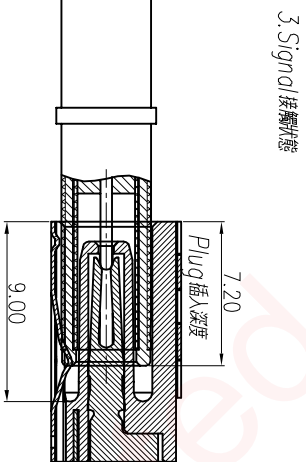
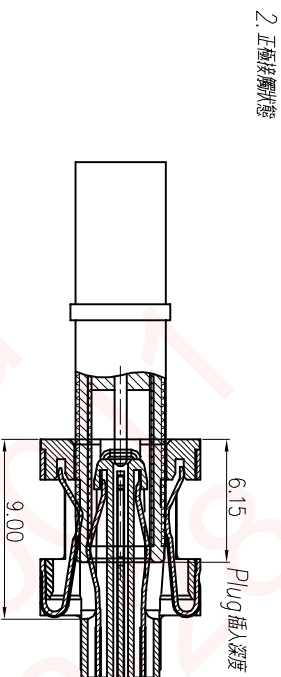
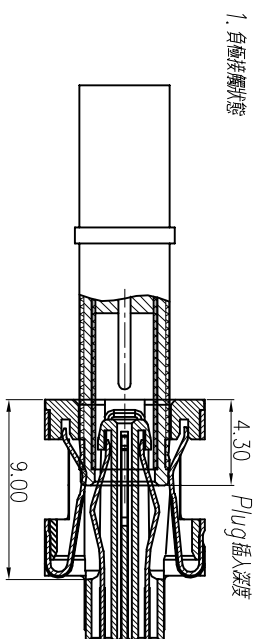
TITLE	DC POWER JACK
DWN	Allen
CHKD	Sly
APVD	Lussen

DECIMALS:	ANGLES:	PART NO.	SCALE	UNIT	SHEET	REV
: ±0.5	X: ±2°	2DC3071-021111F	4:1	mm	1 OF 2	A
: ±0.3	X.X: ±1°					
: ±0.2	X.XX: ±0.2					

SINGATRON
SYMMDD
DD: DAY
MM: MONTH
YY: YEAR

CUSTOMER COPY

REV.	ECN NO. OR DESCRIPTION	REVISED	DATE
A	PDR NO.T141111-4A	Allen	2015.12.22



PLUG 型號: 皇積 45P06CV230-1A00-01

NO	DESCRIPTION	QTY	MATERIAL	PLATING & COLOR
	UNLESS OTHERWISE SPECIFIED TOLERANCES			
	Singatron Enterprise Co., Ltd. 信晉企業股份有限公司			

DECIMALS:		ANGLES:		TITLE	
X	: ±0.5	X	: ±2°	DWN	Allen
X.X	: ±0.3	X.X	: ±1°	CHKD	Sky
X.XX	: ±0.2			APVD	Lussen

MATING DRAWING			
PART NO.	2DC3071-021111F	SCALE	4:1
UNIT:	mm	SHEET:	2 OF 2
REV:	A		

CUSTOMER COPY