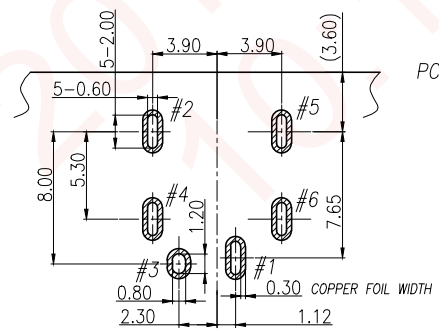
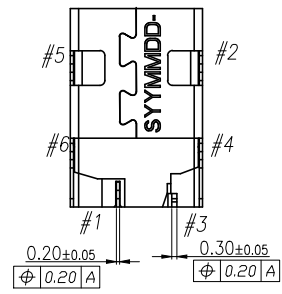
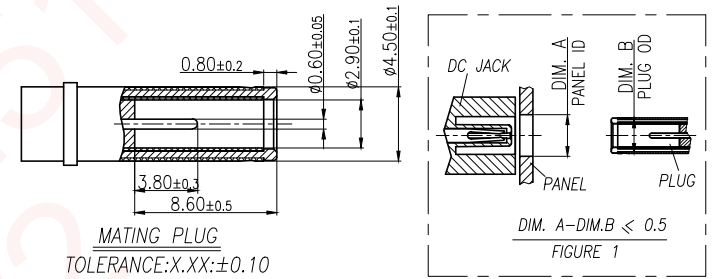
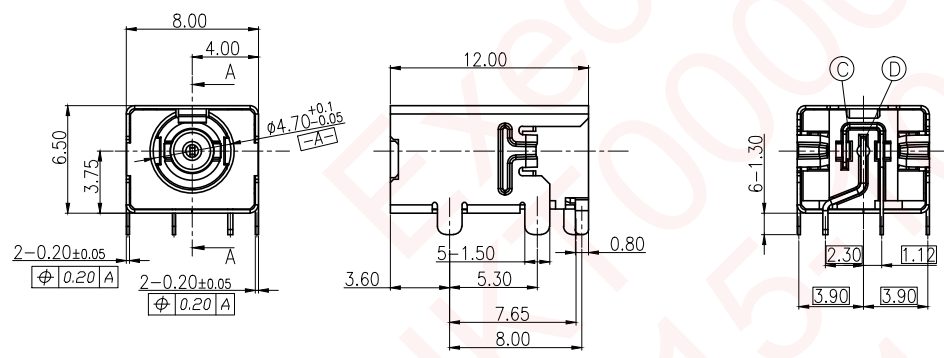
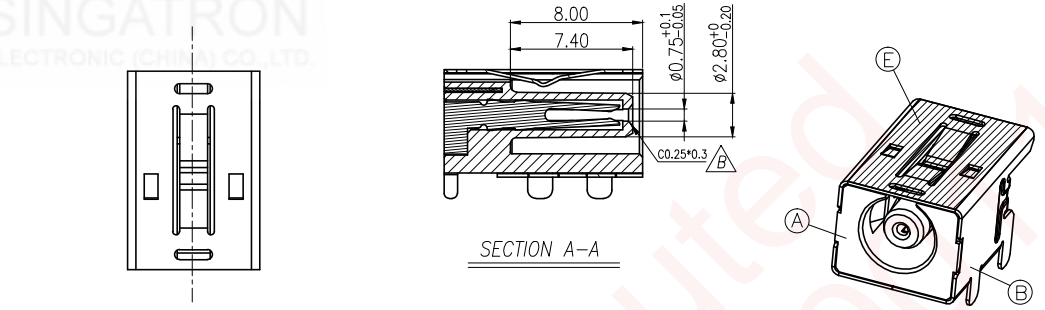




REV.	ECN NO OR DESCRIPTION	REVISED	DATE
A	PDR NO.T150105-2A	Springwu	2015.05.18
B	ECN NO.S150820-C	YUREN	2015.10.08

SPECIFICATIONS:

- ELECTRICAL SPEC:
 - 1-1. RATED CURRENT: 6.5A
 - 1-2. RATED VOLTAGE: 20V
 - 1-3. INSULATION RESISTANCE: 100M MIN. AFTER BY 500 VDC FOR 1 MINUTE
 - 1-4. DIELECTRIC WITHSTANDING VOLTAGE: 500V AC FOR 1 MINUTE.
 - 1-5. CONTACT RESISTANCE: 30mΩ MAX.(INITIAL)
- MECHANICAL SPEC:
 - 2-1. INSERTION FORCE: 0.6~3.0Kgf.
 - 2-2. WITHDRAWAL FORCE : 0.6~2.5Kgf.
- WEIGHT: 1.0 GRAM.
- TEMPERATURE RISE CAN'T EXCEED 30°C MAX.
- LIFE TEST(INSERTION/WITHDRAWAL): 5,000 CYCLES MIN.
- OTHER GENERAL SPEC, PLEASE REFER TO "2DC3071 SERIES SPEC".
- HALOGEN FREE PRODUCT IDENTIFICATION MARK ON JACK: (⊙)
- HALOGEN FREE PRODUCT IDENTIFICATION LABEL ON PACKAGING: (Ⓜ)
- FOR REFLOW SOLDERING LEAD-FREE PROCESS.
- THE PANEL'S ID MUST BE GREATER THAN THE PLUG'S OD WHICH MUST HAVE A DIFFERENCE OF LESS THAN OR EQUAL TO 0.50mm.(AS SHOWN IN FIGURE 1.)



PCB EDGE

SCHEMATIC	
	#1 SPRING(+)
	#3 SIGNAL
	#2 SHELL(-)

SINGATRON → SYMMDD
 DD: DAY
 MM: MONTH
 YY: YEAR

RECOMMEND P.C.B LAYOUT
 (TOLERANCES:±0.05) TOP VIEW

ITEM	DESCRIPTION	QTY	MATERIAL/THICK(mm)	FINISH
E	MYLAR	1	0.12T	BROWN
D	SIGNAL	1	PHOSPHOR BRONZE 0.30T	GOLD FLASH ON CONTACT AREA; MATTE SN 120u" ON SOLDER; ALL OVER Ni 50u" MIN.
C	SPRING+	1	PHOSPHOR BRONZE 0.20T	
B	SHELL	1	PHOSPHOR BRONZE 0.20T	Ni 50u" MIN.
A	BODY	1	PA10T+30%GF UL 94V-0	BLACK

UNLESS OTHERWISE SPECIFIED TOLERANCES		Singatron Enterprise Co., Ltd. 信音企業股份有限公司	
DECIMALS:	ANGLES:	TITLE: DC POWER JACK	
X :±0.5	X :±2°	DWN	YUREN PART NO. 2DC3071-023111F
X.X :±0.3	X.X :±1°	CHKD	CERRY SCALE 3:1 UNIT: mm
X.XX :±0.2		APVD	LIAO SIZE: A3 SHEET:1 OF 1 REV:B
CUSTOMER COPY			