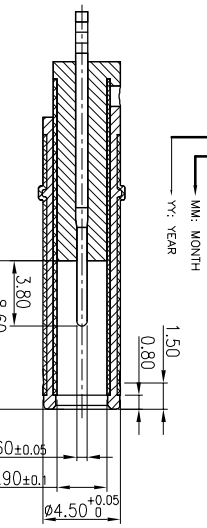
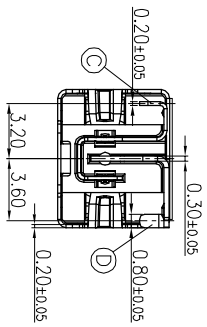
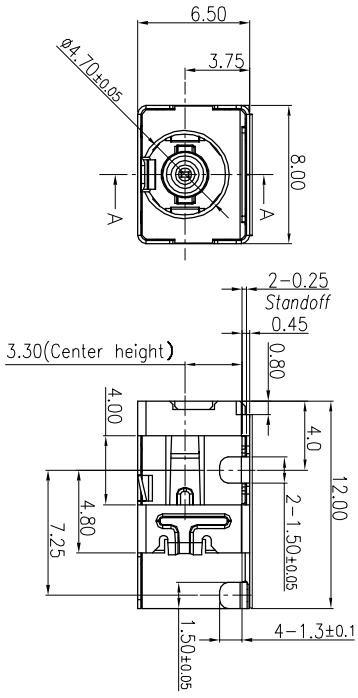
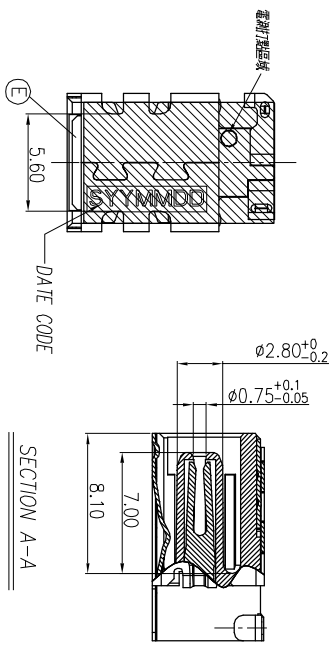
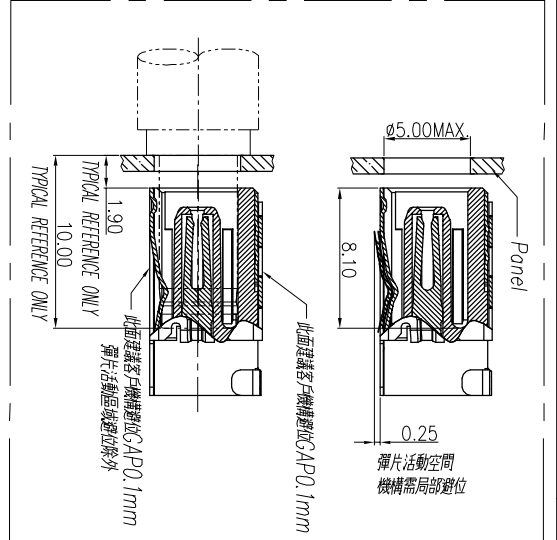
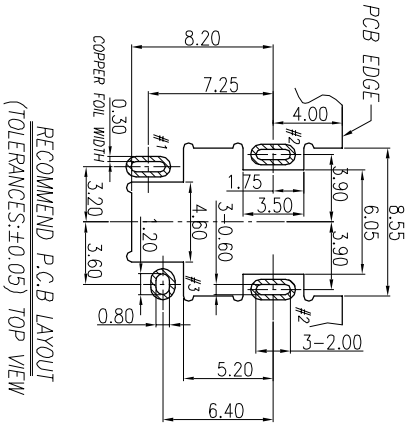
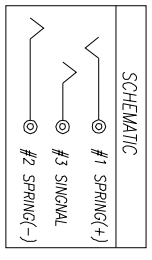
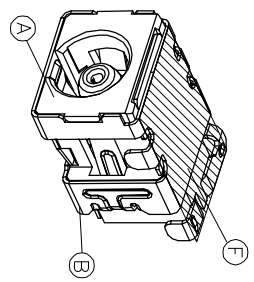
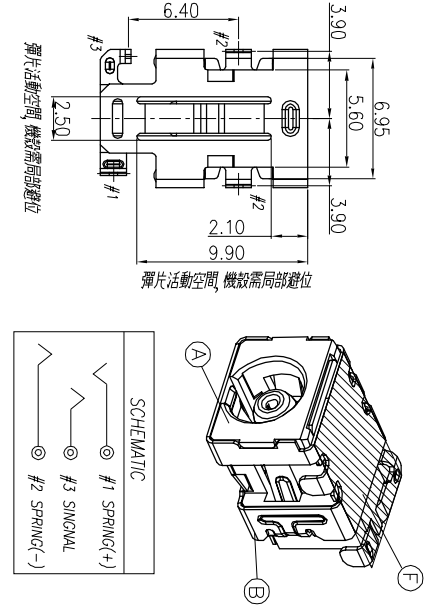


REV.	ECN NO OR DESCRIPTION	REVISED	DATE
A	PDR NO:1T60808-1A	Allen	2016.08.31



MATING PLUG(FUJIAN GEE45P06C230-1A00-01)  
TOLERANCE:XX:±0.10



SPECIFICATIONS:

- Electrical Spec:
  - Rated Current: 7A.
  - Rated Voltage: 20V.
  - Insulation Resistance: 100MΩ MIN. After By 500 VDC for 1 minute.
  - Dielectric Withstanding Voltage: 500V AC for 1 minute.
  - Spring (+) & Shell (-) Contact Resistance: 15mΩ Max.
- Mechanical Spec:
  - Insertion Force: 0.8~2.0Kgf.
  - Withdrawal Force : 0.8~2.0Kgf.
  - Weight: 0.95 Gram.
  - Temperature rise can't exceed 30°C MAX.
  - Life Test(Insertion/Withdrawal): 8,000 Cycles Min.
  - To Conform To SINGATRON Hazardous Substance Free Spec.
  - Other spec. refer to "2DC3071-03411F spec."
  - Halogen Free Product Identification Mark On Jack:
  - Halogen Free Product Identification Label On Packaging:
  - For Reflow Soldering Lead-Free Process.
  - Printed Date Code "SYMMMDP" on top of connector.

F	MYLAR	1	10.13mm	YELLOW
E	STANDOFF SHELL	1	SUS304 0.20T	N/A
D	SIGNAL	1	C5210 0.30T	GOLD FLASH ON CONTACT AREA; WHITE SN 120" ON SOLDER; ALL OVER NI 500" MIN.
C	SPRING(+)	1	C5210 0.20T	
B	SPRING(-)	1	C5210 0.20T	N: 600" MIN.
A	BODY	1	PA4I UL94V-0	BLACK
ITEM	DESCRIPTION	QTY	MATERIAL/THICK(mm)	FINISH

Singatron Enterprise Co., Ltd.  
信實企業股份有限公司

TITLE	DECIMALS:	ANGLES:
DWN Allen	±0.5	X ±2°
CHKD Sky	±0.3	X.X ±1°
APVD Lussen	±0.2	X.XX

Part No. 2DC3071-03411F

SCALE: 3:1 UNIT: mm

SHEET: 1 OF 2 REV: A

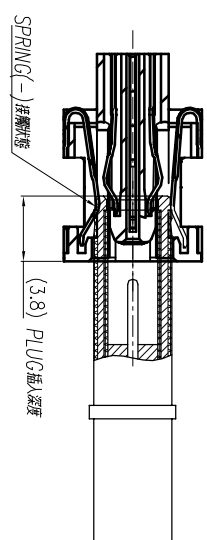
DATE: 2016.08.31

FILE: RD-06-043-A

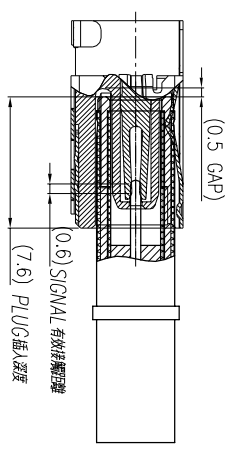
CUSTOMER COPY

REV.	ECN NO OR DESCRIPTION	REVISED	DATE
A	PDR NO.1160808-1A	Allen	2016.08.31

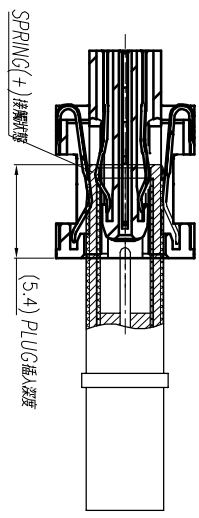
1. SPRING(-) 接觸狀態



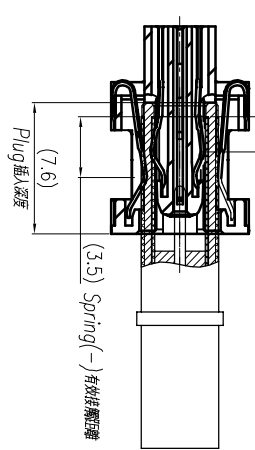
4. Lock 狀態



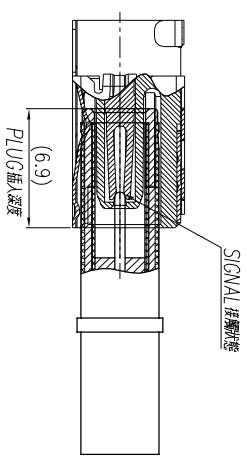
2. SPRING(+) 接觸狀態



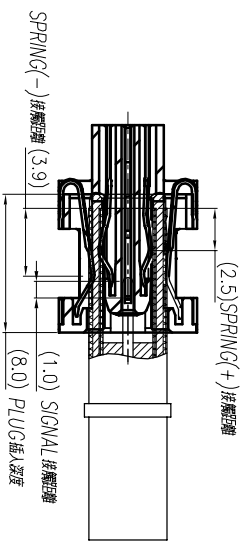
(2.1) SPRING(+) 有效接觸距離



3. SIGNAL 接觸狀態



5. Plug 插到底狀態



(2.5) SPRING(+) 接觸距離

A

B

C

D

E

F

1 2 3 4 5 6 7 8

ITEM	DESCRIPTION	QTY	MATERIAL/THICK(mm)	FINISH
UNLESS OTHERWISE SPECIFIED TOLERANCES				
Singatton Enterprise Co., Ltd. <b>信亨企業股份有限公司</b>				
TITLE: ø4.5 DC POWER JACK				
DWN	Allen	PART NO.	2DC3071-034111F	
CHKD	Sky	SCALE	3:1	UNIT: mm
APVD	Lussen	SIZE	A3	SHEET: 2 OF 2
REV: A				
CUSTOMER COPY				

DECIMALS:	ANGLES:
X : ±0.5	X : ±2°
X.X : ±0.3	X.X : ±1°
X.XX : ±0.2	