
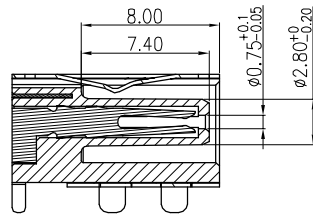
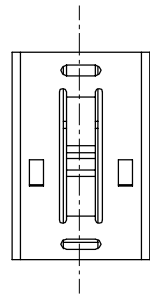


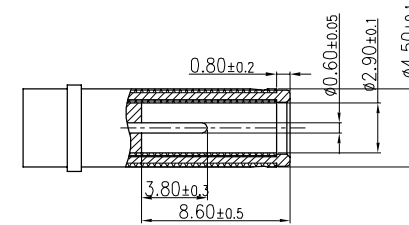
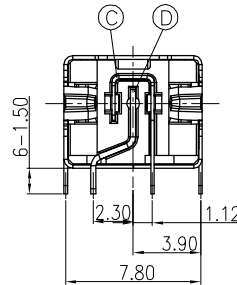
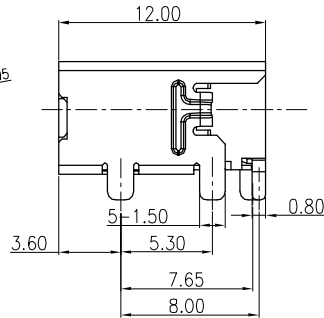
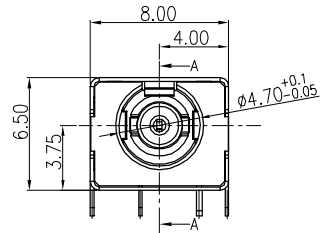
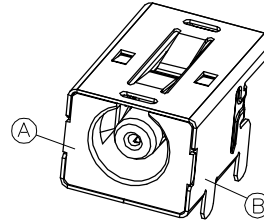
REV.	ECN NO OR DESCRIPTION	REVISED	DATE
A	PDR NO.TZ10526-1A	Huanhuan	2021.7.2
B	ECN NO.202201-R04	Springwu	2022.02.14

SPECIFICATIONS:

- ELECTRICAL SPEC:
 - 1-1. RATED CURRENT: 6.5A.
 - 1-2. RATED VOLTAGE: 20V.
 - 1-3. INSULATION RESISTANCE: 100MΩ MIN. AFTER BY 500V DC FOR 1 MINUTE.
 - 1-4. DIELECTRIC WITHSTANDING VOLTAGE: 500V AC FOR 1 MINUTE.
 - 1-5. CONTACT RESISTANCE: 30mΩ MAX.(INITIAL).
- MECHANICAL SPEC:
 - 2-1. INSERTION FORCE: 0.8~3.0Kgf.
 - 2-2. WITHDRAWAL FORCE : 0.6~2.5Kgf.
- TEMPERATURE RISE CAN'T EXCEED 30°C MAX.
- LIFE TEST(INSERTION/WITHDRAWAL): 5,000 CYCLES MIN.
- OTHER GENERAL SPEC, PLEASE REFER TO "2DC3071-050111F SPEC".
- HALOGEN FREE PRODUCT IDENTIFICATION MARK ON JACK: ⊙
- HALOGEN FREE PRODUCT IDENTIFICATION LABEL ON PACKAGING: 
- FOR REFLOW SOLDERING LEAD-FREE PROCESS.
- THE PANEL'S ID MUST BE GREATER THAN THE PLUG'S OD WHICH MUST HAVE A DIFFERENCE OF LESS THAN OR EQUAL TO 0.50mm.(AS SHOWN IN FIGURE 1.)



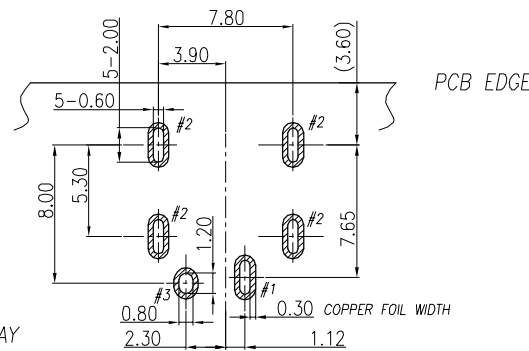
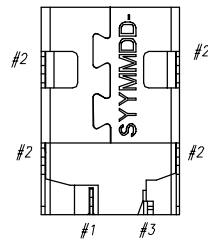
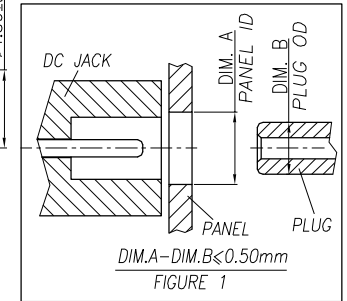
SECTION A-A



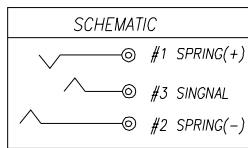
MATING PLUG

TOLERANCE: X.XX: ±0.10

PLUG 型號: 皇橫 45P06CV230-1A00-01



RECOMMEND P.C.B LAYOUT
(TOLERANCES: ±0.05) TOP VIEW



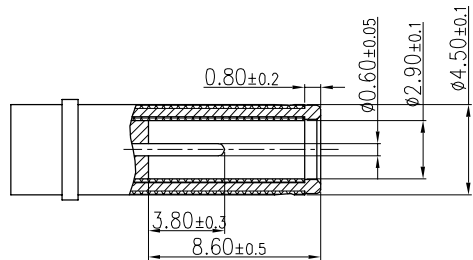
SINGATRON SYMMDD
DD: DAY
MM: MONTH
YY: YEAR

D	SIGNAL	1	C5210 0.30T	GOLD FLASH ON CONTACT AREA; OVER Ni 50u" MIN.
C	SPRING+	1	C5210 0.20T	OVER Ni 50u" MIN.
B	SHELL	1	C5210 0.20T	GOLD FLASH ON SOLDER TAIL; OVER Ni 50u" MIN.
A	BODY	1	PA10T+30%GF R630NH(PPA) UL 94V-0	BLACK
ITEM	DESCRIPTION	QTY	MATERIAL/THICK(mm)	FINISH
UNLESS OTHERWISE SPECIFIED TOLERANCES			 Singatron Enterprise Co., Ltd. 信音企業股份有限公司	
DECIMALS:		ANGLES:		
X	:±0.5	X	:±2°	
X.X	:±0.3	X.X	:±1°	
X.XX	:±0.2			
TITLE		DC POWER JACK		
DWN	Springwu	PART NO. 2DC3071-050111F		
CHKD	Lussen	SCALE 3:1	UNIT: mm	
APVD	Boye	SIZE: A3	SHEET: 1 OF 2	REV: B

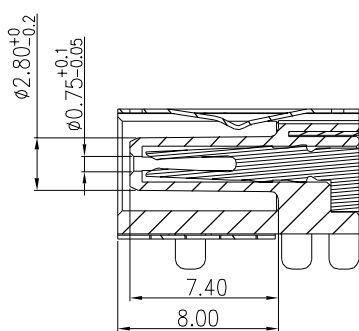
CUSTOMER COPY

1 2 3 4 5 6 7 8

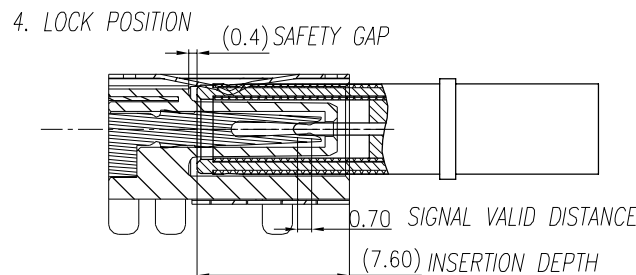
REV.	ECN NO OR DESCRIPTION	REVISED	DATE
A	PDR NO.: T210526-1A	Huanhuan	2021.7.2
B	ECN NO.202201-R04	Springwu	2022.02.14



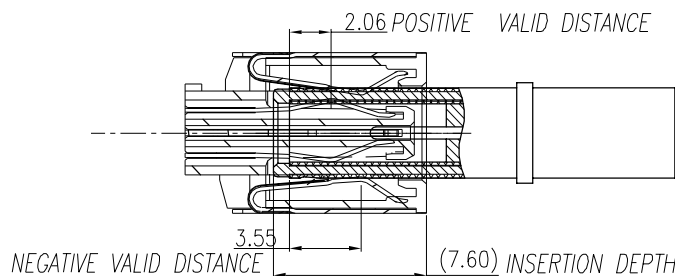
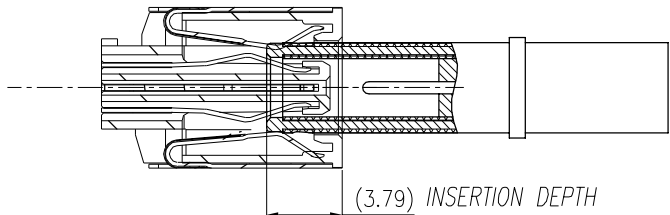
MATING PLUG
PLUG 型號: 皇橫 45P06CV230-1A00-01



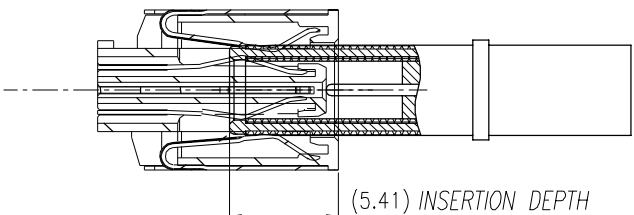
PART NO. 2DC3071-050111F



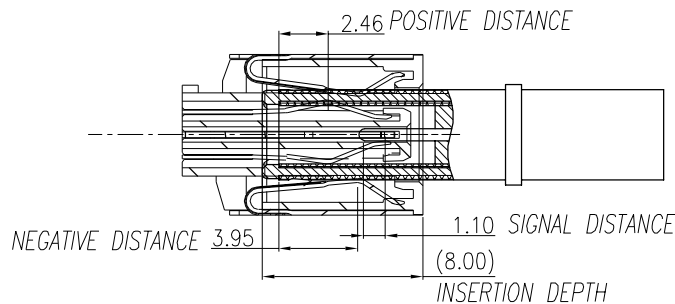
1, NEGATIVE FIRST



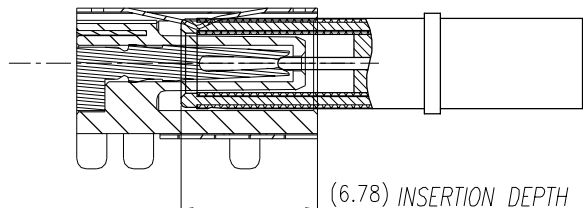
2, POSITIVE SECOND



5. PLUG FULLY INSERTION



3, SIGNAL THIRD



ITEM	DESCRIPTION	QTY	MATERIAL/THICK(mm)	FINISH
UNLESS OTHERWISE SPECIFIED TOLERANCES		Singatron Enterprise Co., Ltd. 信音企業股份有限公司		
DECIMALS:	ANGLES:	TITLE	DC POWER JACK (MATING DRAWING)	
X :±0.5	X :±2°	DWN Springwu	PART NO. 2DC3071-050111F	
X.X :±0.3	X.X :±1°	CHKD Lussen	SCALE 4:1	UNIT: mm
X.XX :±0.2		APVD Boye	SIZE: A3	SHEET: 2 OF 2
REV: B				
CUSTOMER COPY				

1 2 3 4 5 6 7 8