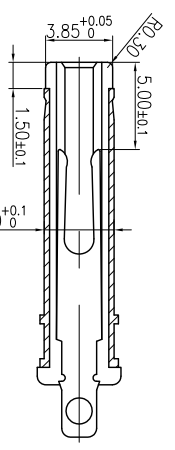
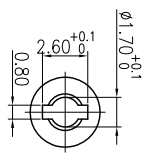
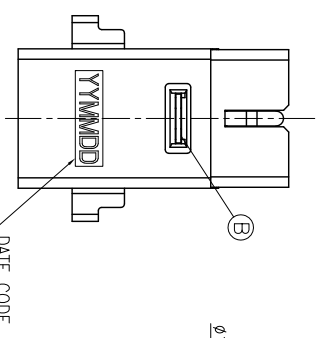


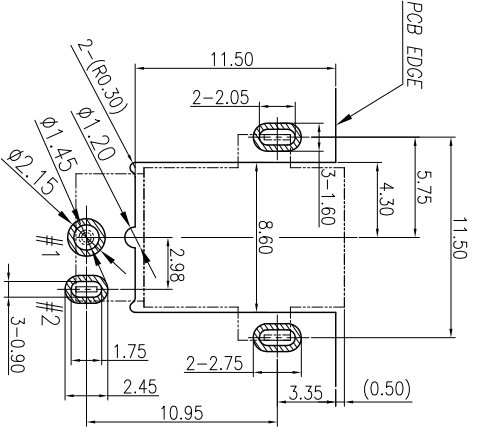
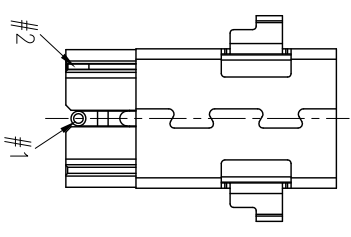
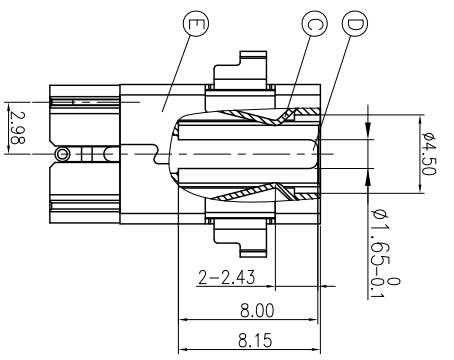
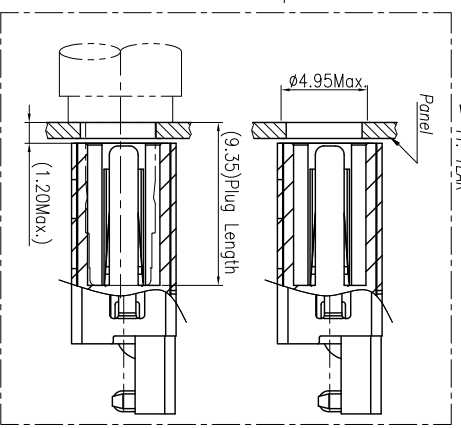
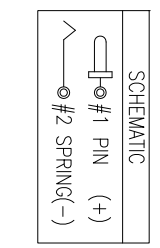
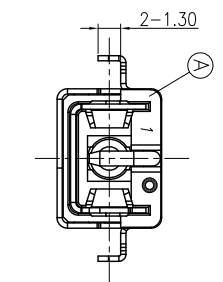
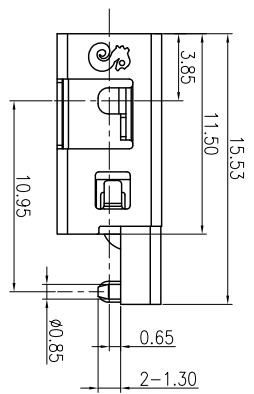
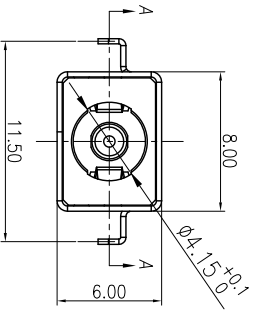
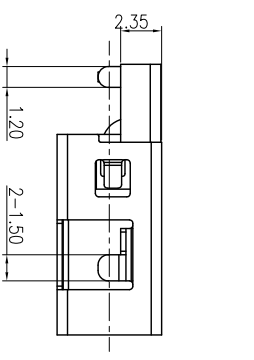
REV.	ECN NO. OR DESCRIPTION	REVISED	DATE
A	PDR NO. T161108-3A	Ron	2017.04.20

SPECIFICATIONS:

- ELECTRICAL CHARACTERISTICS:
 - RATING: 20V 5A
 - CONTACT RESISTANCE: 30mΩ MAX.
 - DIELECTRIC WITHSTANDING VOLTAGE: 500V AC FOR ONE MINUTE.
 - INSULATION RESISTANCE: 100MΩ MIN. MEASURED BY 500 VDC
- MECHANICAL CHARACTERISTICS:
 - INSERTION FORCE: 1~4kgf.
 - WITHDRAWAL FORCE: 1~3kgf.
 - LIFE TEST: 5,000 CYCLES MIN.
 - TO CONFORM TO SINGATRON HAZARDOUS SUBSTANCE FREE SPEC.
 - HALOGEN FREE PRODUCT IDENTIFICATION MARK ON PRODUCT:
 - HALOGEN FREE PRODUCT IDENTIFICATION LOGO ON PACKAGING:
 - FOR REFLOW SOLDERING LEAD-FREE PROCESS.
 - PRINTED DATE CODE "YYMMDD".



MATING PLUG



RECOMMEND PCB LAYOUT
TOP VIEW (TOLERANCES: ±0.05)

E	SHELL	1	SUS 0.30T	Ni 60U
D	PIN	1	BRASS	Gold Flash Over N150U Min
C	SPRING	1	COPPER ALLOY 0.30T	Gold Flash On Contact Area. Wipe Sn 100U Min On Solder Tail. All Over Ni 50U Min.
B	TERMINAL	1	SUS 0.30T	清洗
A	BODY	1	HIGH TEMP THERMOPLASTIC U94V-0	BLACK
NO	DESCRIPTION	QTY	MATERIAL	PLATING & COLOR

UNLESS OTHERWISE SPECIFIED TOLERANCES

Singatron Enterprise Co., Ltd.
信登企業股份有限公司

DC POWER JACK

DECIMALS:	ANGLES:	TITLE
X : ±0.5	X : ±2°	DWN Ron
X.X : ±0.3	X.X : ±1°	CHKD Sky
X.XX : ±0.2		APVD Lussen

PART NO. ZDC3074-004111F

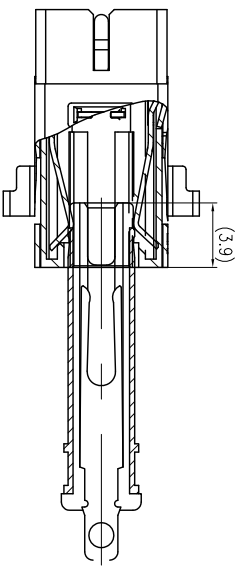
SCALE 4:1 UNIT: mm

SIZE: A3 SHEET: 1 OF 2 REV: A

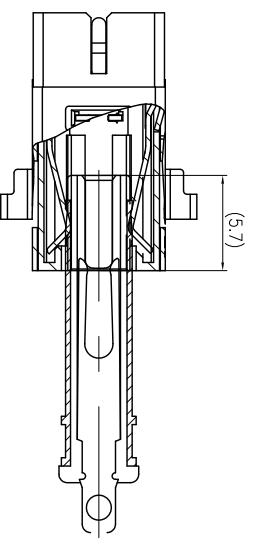
CUSTOMER COPY

REV.	ECN NO.	OR DESCRIPTION	REVISED	DATE
A	PDR NO.	T161108-3A	Ron	2017.04.20

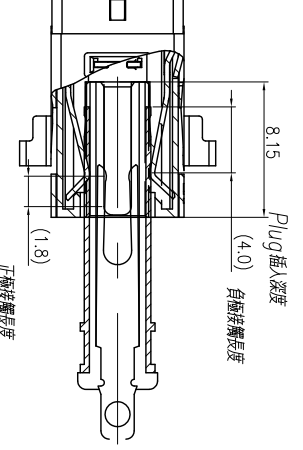
1. 負極接觸狀態
Plug 插入深度



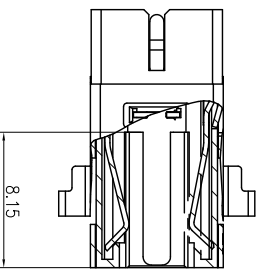
2. 正極接觸狀態



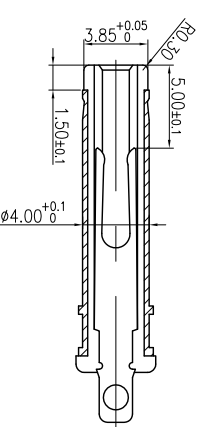
3. PLUG FULL MATING 狀態



2DC3074-004111F



Mating Plug



NO	DESCRIPTION	QTY	MATERIAL	PLATING & COLOR
	UNLESS OTHERWISE SPECIFIED TOLERANCES			
	DECIMALS:			
X	:±0.5	X	:±2°	
X.X	:±0.3	X.X	:±1°	
X.XX	:±0.2			
	TITLE		DC JACK MATING	
	DWN	Ron	PART NO. 2DC3074-000111F	
	CHKD	Sky	SCALE: 4:1 UNIT: mm	
	APVD	Lussen	SIZE: A3 SHEET: 20F2	REV: A

CUSTOMER COPY

Singatron Enterprise Co., Ltd.
信音企業股份有限公司