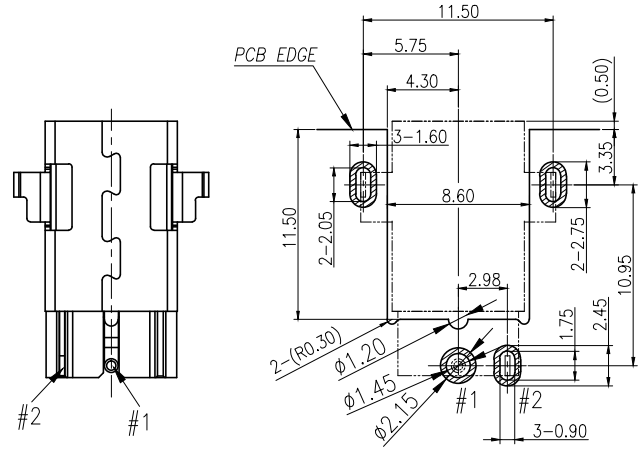
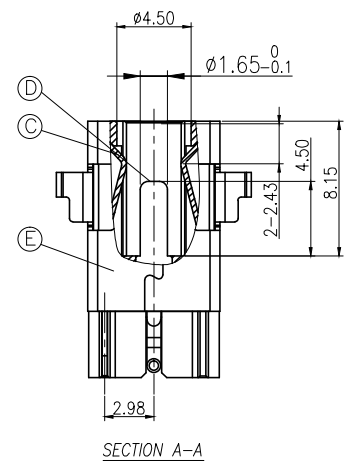
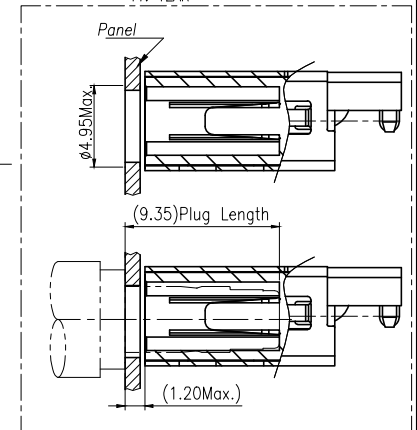
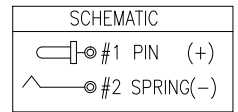
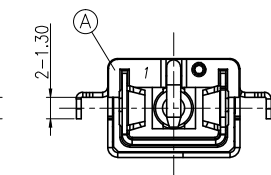
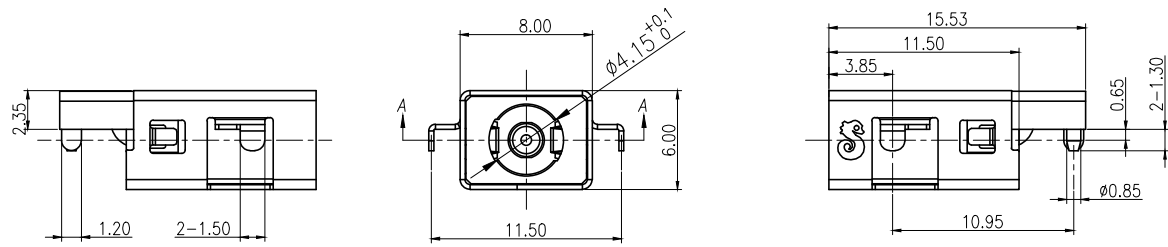
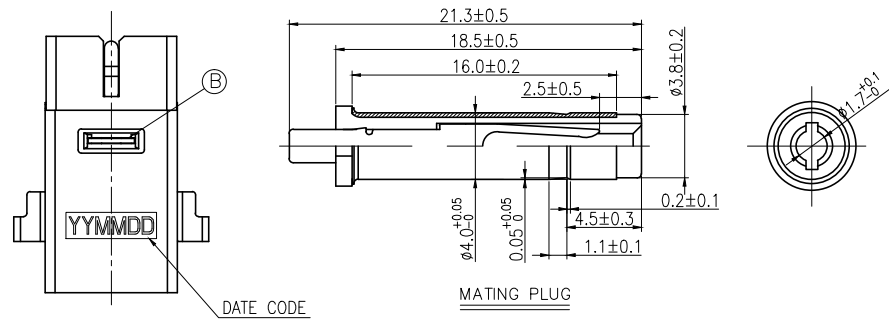


REV.	ECN NO OR DESCRIPTION	REVISED	DATE
A	PDR NO. S190715-1A	Jie	2019.11.4

SPECIFICATIONS:

- ELECTRICAL CHARACTERISTICS:
 - RATING: 20V 5A
 - CONTACT RESISTANCE: 30mΩ MAX.
 - DIELECTRIC WITHSTANDING VOLTAGE: 500V AC FOR ONE MINUTE.
 - INSULATION RESISTANCE: 100MΩ MIN. MEASURED BY 500 VDC
- MECHANICAL CHARACTERISTICS:
 - INSERTION FORCE: 0.5~2.0Kgf.
 - WITHDRAWAL FORCE: 0.5~2.0Kgf.
- LIFE TEST: 5,000 CYCLES MIN.
- TO CONFORM TO SINGATRON HAZARDOUS SUBSTANCE FREE SPEC.
- HALOGEN FREE PRODUCT IDENTIFICATION MARK ON PRODUCT:
- HALOGEN FREE PRODUCT IDENTIFICATION LOGO ON PACKAGING:
- FOR REFLOW SOLDERING LEAD-FREE PROCESS.
- PRINTED DATE CODE "YYMMDD".

DD: DAY
MM: MONTH
YY: YEAR



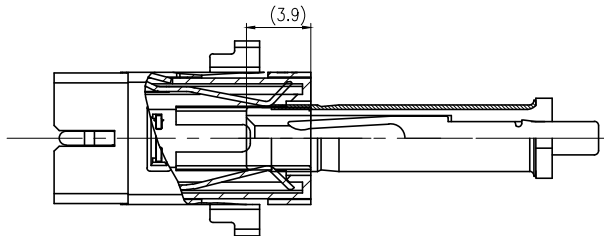
NO	DESCRIPTION	QTY	MATERIAL	PLATING & COLOR
E	SHELL	1	SUS 0.30T	Ni 60u"
D	PIN	1	BRASS	Gold Flash Over Ni50u"Min
C	SPRING	1	COPPER ALLOY 0.30T	Gold Flash On Contact Area. Matte Sn 100u"Min On Solder Tail. All Over Ni 50u"Min.
B	TERMINAL	1	SUS 0.30T	清洗
A	BODY	1	HIGH TEMP. THERMOPLASTIC UL94V-0	BLACK

UNLESS OTHERWISE SPECIFIED TOLERANCES		Singatron Enterprise Co., Ltd. 信音企业股份有限公司	
DECIMALS:	ANGLES:	TITLE	
X :±0.5	X :±2°	DC POWER JACK	
X.X :±0.3	X.X :±1°	DWN	Jie
X.XX :±0.2		CHKD	
		APVD	
		PART NO. 2DC3074-009111F	
		SCALE 4:1 UNIT: mm	
		SIZE: A3 SHEET: 1 OF 2	
		REV: A	
CUSTOMER COPY			

REV.	ECN NO OR DESCRIPTION	REVISED	DATE
A	PDR NO. S190715-1A	Jie	2019.11.4

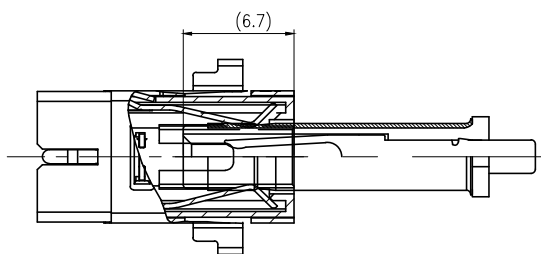
1. 負極接觸狀態

Plug插入深度

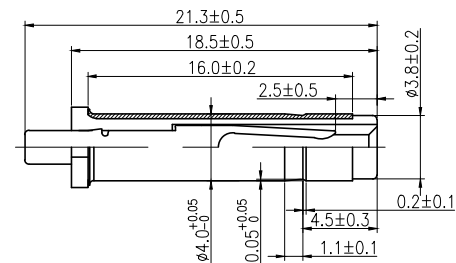
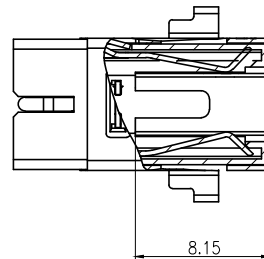


2. 正極接觸狀態

Plug插入深度



2DC3074-009111F



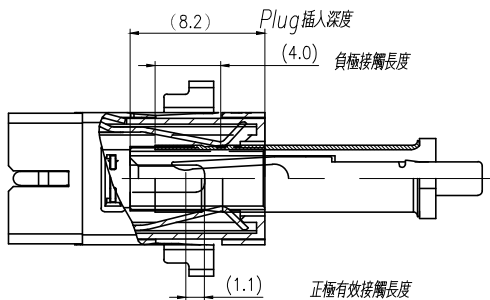
Mating Plug


3. PLUG FULL MATING 狀態

Plug插入深度

負極接觸長度

正極有效接觸長度



NO	DESCRIPTION	QTY	MATERIAL	PLATING & COLOR
UNLESS OTHERWISE SPECIFIED TOLERANCES		 Singatron Enterprise Co., Ltd. 信音企業股份有限公司		
DECIMALS:	ANGLES:	TITLE	DC JACK MATING	
X :±0.5	X :±2°	DWN	Jie	PART NO. 2DC3074-009111F
X.X :±0.3	X.X :±1°	CHKD	SCALE: 4:1	UNIT: mm
X.XX :±0.2		APVD	SIZE: A3	SHEET: 20F2
REV: A				
CUSTOMER COPY				