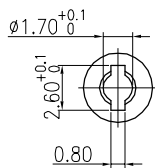
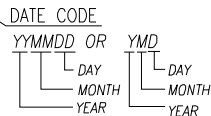
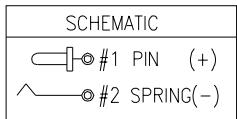
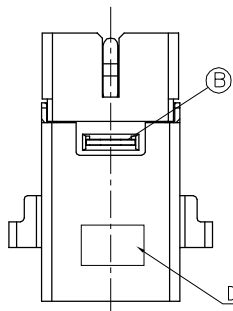
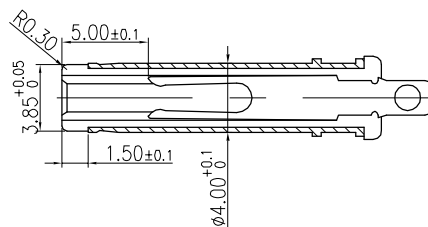


REV.	ECN NO OR DESCRIPTION	REVISED	DATE
A	PDR NO.T191126-1A	Springwu	2020.12.28

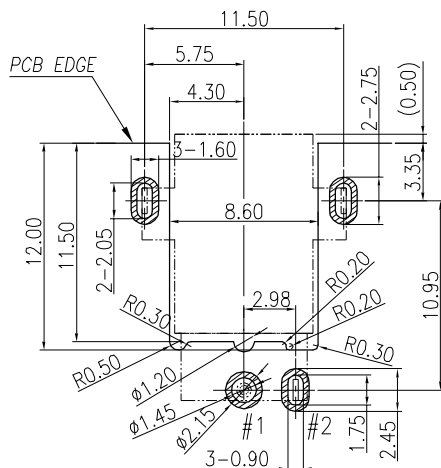
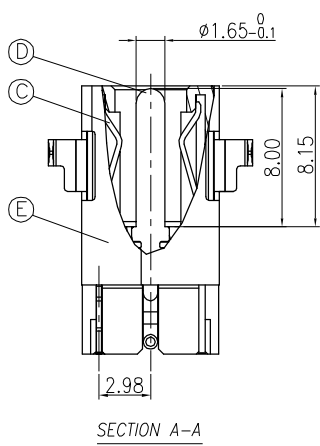
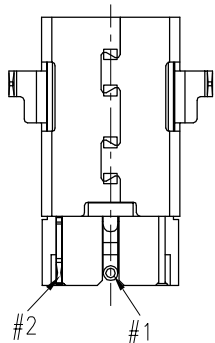
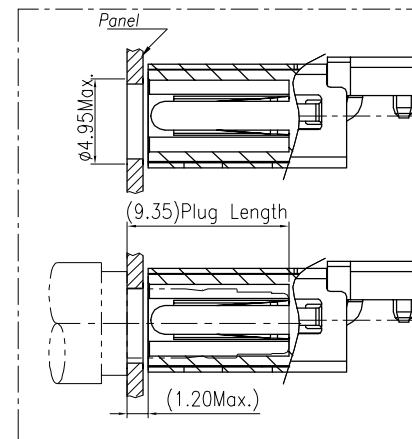
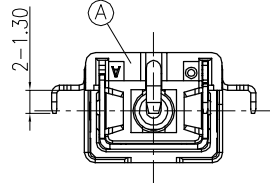
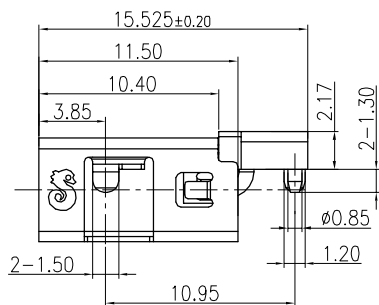
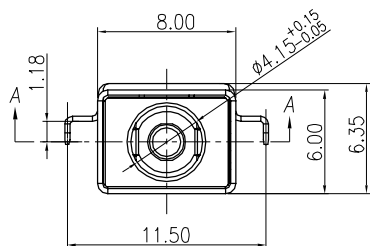


MATING PLUG



SPECIFICATIONS:

- ELECTRICAL CHARACTERISTICS:
 - RATING: 20V 5A.
 - CONTACT RESISTANCE: 30mΩ MAX.
 - DIELECTRIC WITHSTANDING VOLTAGE: 500V AC FOR ONE MINUTE.
 - INSULATION RESISTANCE: 100MΩ MIN. MEASURED BY 500 VDC
- MECHANICAL CHARACTERISTICS:
 - INSERTION FORCE: 3.5Kgf Max.
 - WITHDRAWAL FORCE: 1.0~3.0Kgf(Initial);0.8~3.0kgf(After life test).
- LIFE TEST: 5,000 CYCLES MIN.
- TO CONFORM TO SINGATRON HAZARDOUS SUBSTANCE FREE SPEC.
- HALOGEN FREE PRODUCT IDENTIFICATION MARK ON PRODUCT:
- HALOGEN FREE PRODUCT IDENTIFICATION LOGO ON PACKAGING:
- FOR REFLOW SOLDERING LEAD-FREE PROCESS.

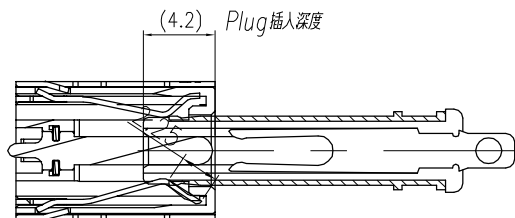


RECOMMEND PCB LAYOUT
TOP VIEW(TOLERANCES:±0.05)

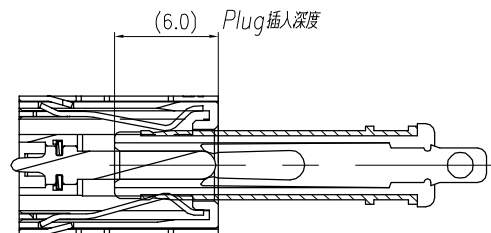
E	SHELL	1	SUS 0.30T	Ni 60u"
D	PIN	1	BRASS	Gold Flash Over Ni50u"Min
C	SPRING	1	COPPER ALLOY 0.30T	Gold Flash On Contact Area. Matte Sn 100u"Min On Solder Tail. All Over Ni 50u"Min.
B	TERMINAL	1	SUS 0.30T	清洗
A	BODY	1	HIGH TEMP. THERMOPLASTIC UL94V-0	BLACK
NO	DESCRIPTION	QTY	MATERIAL	PLATING & COLOR
UNLESS OTHERWISE SPECIFIED TOLERANCES		Singatron Enterprise Co., Ltd. 		
DECIMALS:		TITLE		
X	±0.5	DC POWER JACK		
X.X	±0.3	DWN	Springwu	PART NO. 2DC3074-010111F
X.XX	±0.2	CHKD	Lussen	SCALE 4:1 UNIT: mm
		APVD	Liao	SIZE: A3 SHEET:1 OF 2 REV:A
CUSTOMER COPY				

REV.	ECN NO OR DESCRIPTION	REVISED	DATE
A	PDR NO.T191126-1A	Springwu	2020.12.28

1. 負極接觸狀態

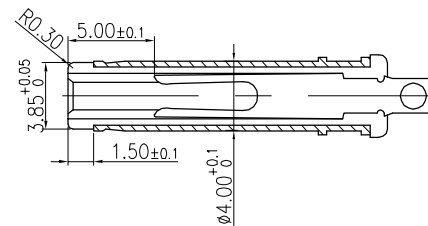
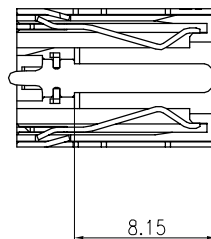


2. 正極接觸狀態

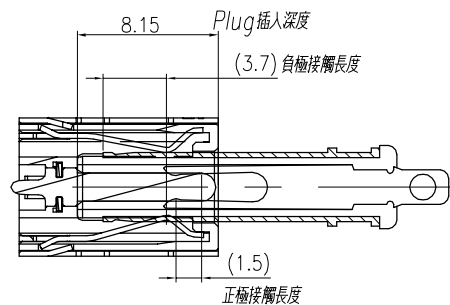



2DC3074-010111F

Mating Plug



3. PLUG FULL MATING 狀態



NO	DESCRIPTION	QTY	MATERIAL	PLATING & COLOR
UNLESS OTHERWISE SPECIFIED TOLERANCES		 Singatron Enterprise Co., Ltd. 信音企業股份有限公司		
DECIMALS: X :±0.5 X.X :±0.3 X.XX :±0.2		ANGLES: X :±2° X.X :±1°		TITLE: DC JACK MATING DWN: Springwu CHKD: Lussen APVD: Liao
		PART NO. 2DC3074-010111F SCALE: 4:1 SIZE: A3		UNIT: mm SHEET: 20F2 REV: A
CUSTOMER COPY				