


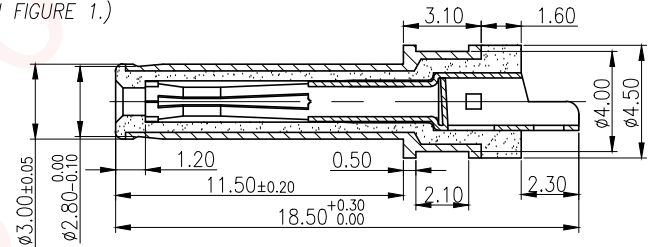
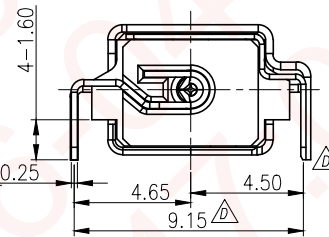
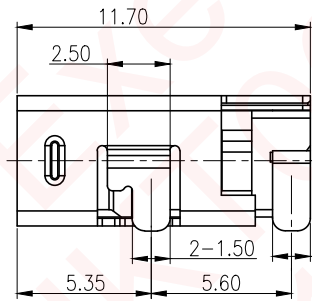
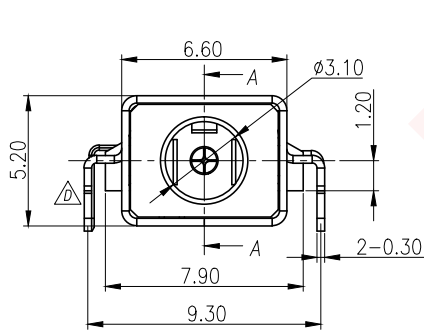
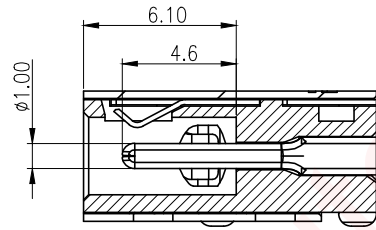
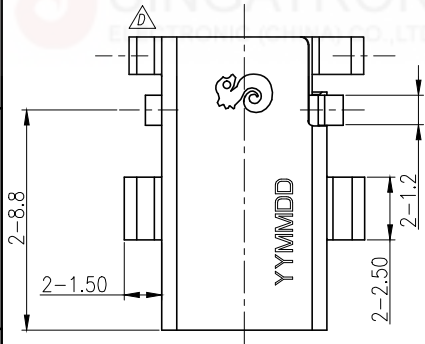
REV.	ECN NO OR DESCRIPTION	REVISED	DATE
B	ECN NO.S150356-C	YUREN	2015.05.25
C	ECN NO.S150410-C	YUREN	2015.07.2
D	ECN NO.S151268-C	YUREN	2016.3.22

SPECIFICATIONS:

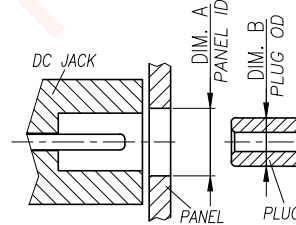
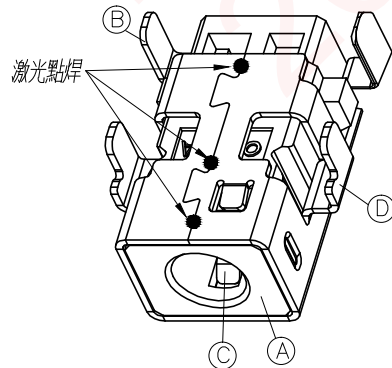
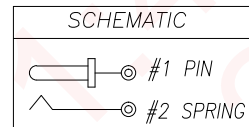
- ELECTRICAL CHARACTERISTICS:
 - 1-1. RATING: 20V 5A;
 - 1-2. CONTACT RESISTANCE: 30mΩ MAX.(INITIAL)
 - 1-3. DIELECTRIC WITHSTANDING VOLTAGE: 500V AC FOR ONE MINUTE.
 - 1-4. INSULATION RESISTANCE: 100MΩ MIN. MEASURED BY 500 VDC
- MECHANICAL CHARACTERISTICS:
 - 2-1. INSERTION FORCE : 3.0 KGF MAX.
 - 2-2. WITHDRAWAL FORCE : 1.0~3.0 KGF(INITIAL); 0.35KGF MIN.(AFTER LIFE TEST).
- LIFE TEST: 5,000 CYCLES MIN.
- OTHER GENERAL SPEC. TO REFER "2DC3079 SERIES SPEC".
- TO CONFORM TO SINGATRON HAZARDOUS SUBSTANCE FREE SPEC.
- HALOGEN FREE PRODUCT IDENTIFICATION MARK ON JACK:⊙
- HALOGEN FREE PRODUCT IDENTIFICATION LABEL ON PACKAGING: 
- FOR REFLOW SOLDERING LEAD-FREE PROCESS.
- PRINTED DATE CODE" YYMMDD " ON TOP OF CONNECTOR.
- THE PANEL'S ID MUST BE GREATER THAN THE PLUG'S OD WHICH MUST HAVE A DIFFERENCE OF LESS THAN OR EQUAL TO 0.50mm.(AS SHOWN IN FIGURE 1.)

DATE CODE: YYMMDD
 DD: DAY
 MM: MONTH
 YY: YEAR


SECTION A-A



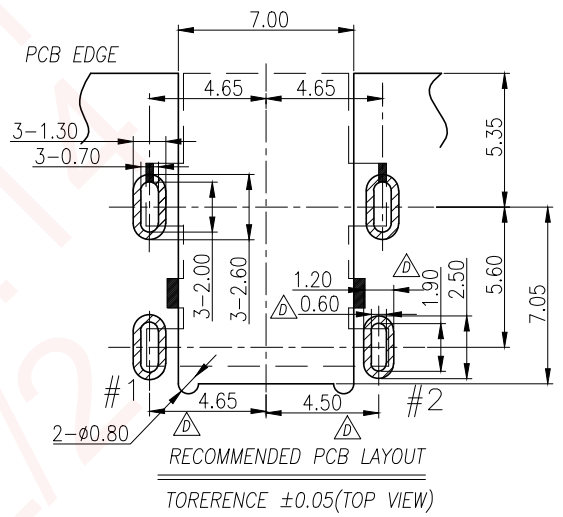
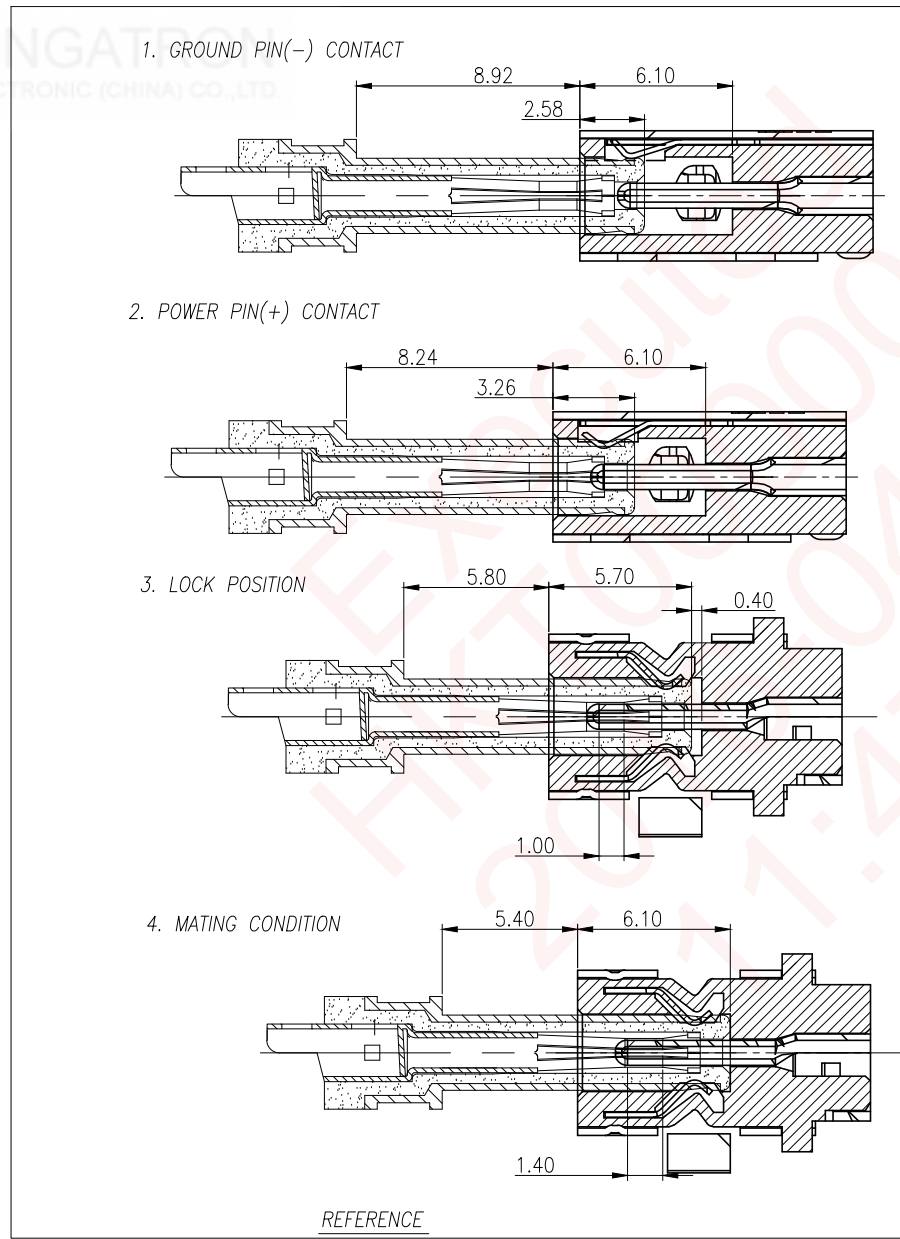
ø3.0 PULG TYPE(2DP1521-000111F)



DIM.A-DIM.B≤0.50mm
 FIGURE 1

D	SHELL	1	STAINLESS 0.3T	Ni 60u" MIN.
C	SPRING	1	YCUT 0.2T	Sn 80u" OVER Ni 50u".
B	PIN	1	COPPER ALLOY 0.25T	GOLD FLASH ON CONTACT AREA; Sn 120u" Min ON SOLDER TAIL; ALL OVER Ni 50u" MIN.
A	BODY	1	HIGH THERMOPLASTIC (HALOGEN FREE) UL94V-0	BLACK
NO	DESCRIPTION	QTY	MATERIAL	PLATING & COLOR
UNLESS OTHERWISE SPECIFIED TOLERANCES			 Singatron Enterprise Co., Ltd. 信音企業股份有限公司	
DECIMALS:		TITLE		
X	:±0.5	DC POWER JACK		
X.X	:±0.3	DWN YUREN PART NO. 2DC3079-000111F		
X.XX	:±0.2	CHKD CERRY SCALE 5:1 UNIT: mm		
		APVD LIAO SIZE: A3 SHEET:1 OF 2 REV:D		
CUSTOMER COPY				

REV.	ECN NO OR DESCRIPTION	REVISED	DATE
B	ECN NO.S150356-C	YUREN	2015.05.25
C	ECN NO.S150410-C	YUREN	2015.07.2
D	ECN NO.S151268-C	YUREN	2016.3.22



UNLESS OTHERWISE SPECIFIED TOLERANCES		Singatron Enterprise Co., Ltd. 信音企業股份有限公司	
DECIMALS:	ANGLES:	TITLE	
X :±0.5	X :±2°	DC POWER JACK	
X.X :±0.3	X.X :±1°	DWN	YUREN
X.XX :±0.2		CHKD	CERRY
		APVD	LIAO
		PART NO. 2DC3079-000111F	
		SCALE	5:1
		UNIT	mm
		SIZE	A3
		SHEET	2 OF 2
		REV	D
CUSTOMER COPY			