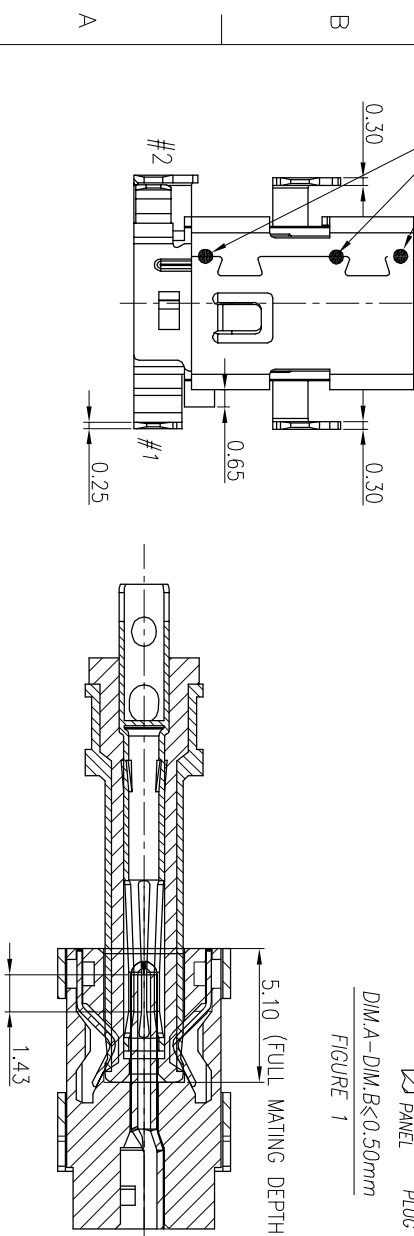
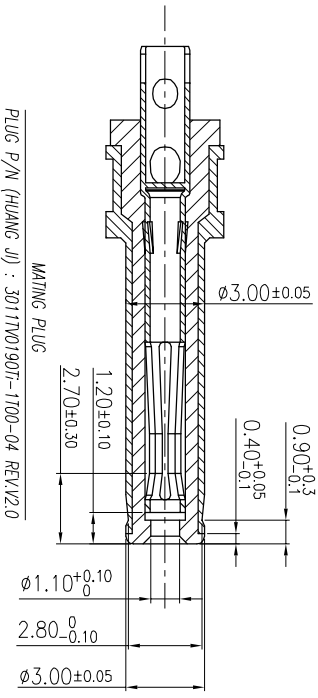


FIGURE 1
DIM A-DIM.B<0.50mm



SPECIFICATIONS:

- ELECTRICAL CHARACTERISTICS:
 - RATING: 20V 5A;
 - CONTACT RESISTANCE: 30mΩ MAX.(INITIAL)
 - DIELECTRIC WITHSTANDING VOLTAGE: 500V AC FOR ONE MINUTE.
 - INSULATION RESISTANCE: 100MΩ MIN. MEASURED BY 500 VDC
- MECHANICAL CHARACTERISTICS:
 - MATING FORCE : 3.0 kgf MAX.
 - UMMATING FORCE : 1.0~3.0 kgf. (INITIAL) 0.7~3.0 kgf. (AFTER LIFE TEST & USE NEW PLUG TEST)
- LIFE TEST: 10,000 CYCLES MIN.
- OTHER GENERAL SPEC: TO REFER "2DC3079 SERIES SPEC."
- TO CONFORM TO SINGATRON HAZARDOUS SUBSTANCE FREE SPEC.
- HALOGEN FREE PRODUCT IDENTIFICATION MARK ON JACK:
- HALOGEN FREE PRODUCT IDENTIFICATION LABEL ON PACKAGING:
- FOR REFLOW SOLDERING LEAD-FREE PROCESS
- PRINTED DATE CODE" YYMMDD " ON TOP OF CONNECTOR.
- THE PANEL'S ID MUST BE GREATER THAN THE PLUG'S OD WHICH MUST HAVE A DIFFERENCE OF LESS THAN OR EQUAL TO 0.50mm.(AS SHOWN IN FIGURE 1.)
- SAMSUNG PART NO: 3722-003858



PLUG P/N (HUANG JJ) : 3011T101901-1100-04 REV2.0

NO	DESCRIPTION	QTY	MATERIAL	PLATING & COLOR
D	SHELL	1	STAINLESS 0.30T	Ni 60u" MIN.
C	SPRING	1	YCUT 0.20T	Sn 80u" OVER Ni 50u"
B	PIN	1	COPPER ALLOY 0.25T	Au 4u" ON CONTACT AREA; Sn 120u" MIN ON SOLDER TAIL; ALL OVER Ni 500u" MIN.
A	BODY	1	HIGH THERMOPLASTIC (HALOGEN FREE) UL94V-0	BLACK

UNLESS OTHERWISE SPECIFIED TOLERANCES

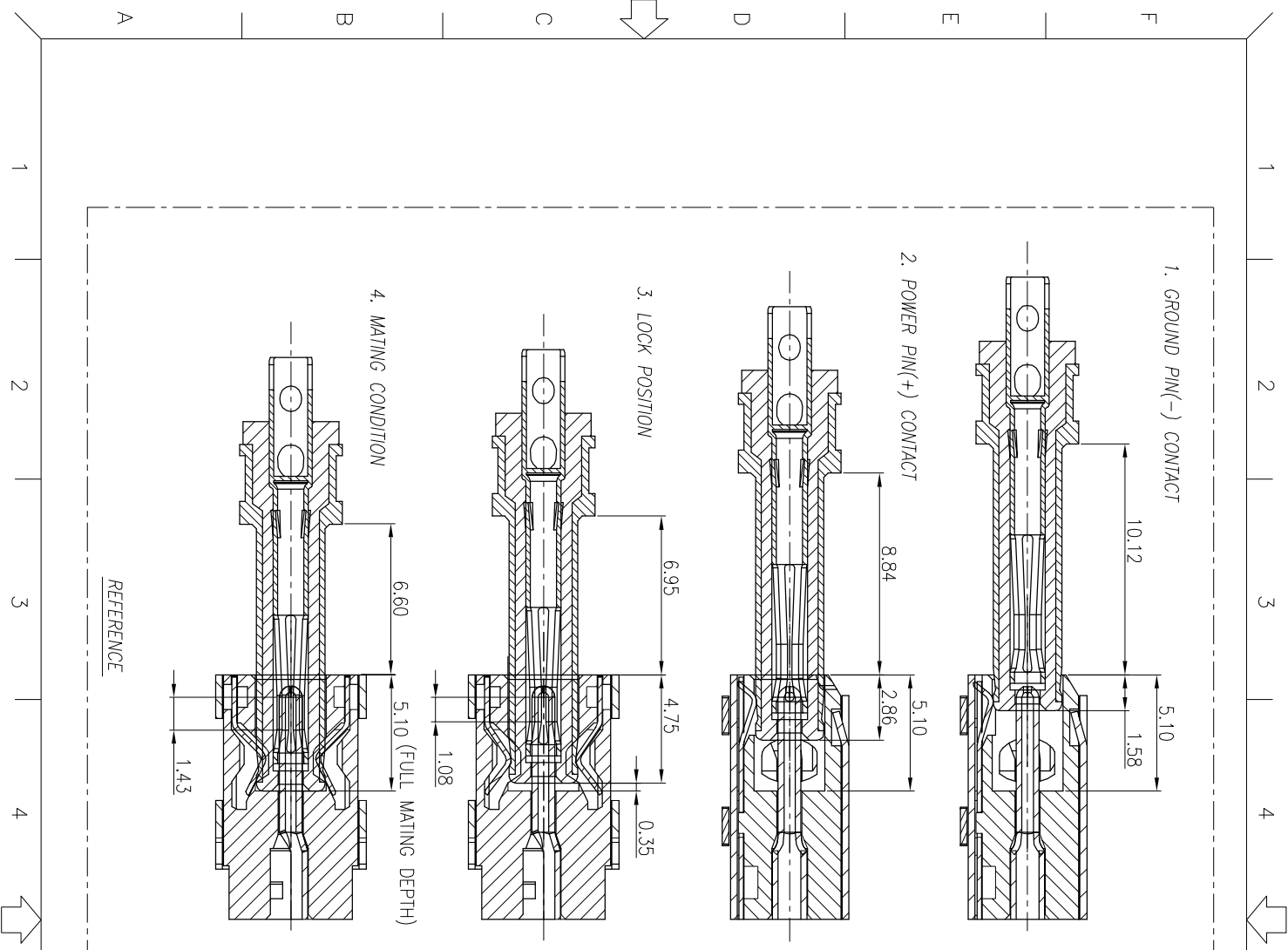
DECIMALS: ANGLES:

X :±0.1 X :±2°
X.X :±0.1 X.X :±1°
X.XX :±0.1

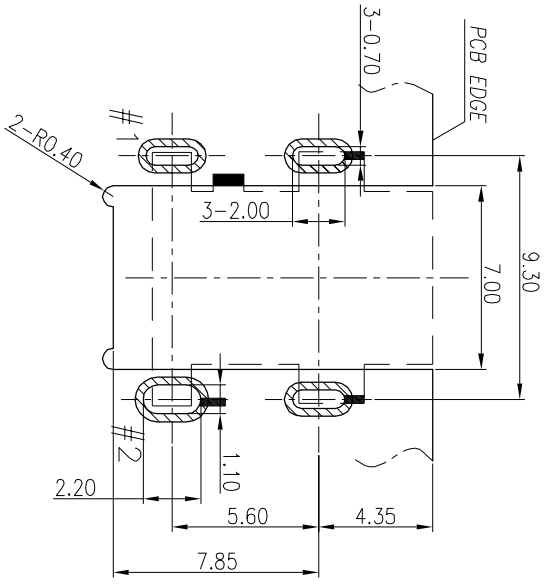
TITLE	DC POWER JACK
DWN	Sugar PART NO.2DC3079-001114F
CHKD	Spring SCALE 5:1 UNIT: mm
APVD	Lussen SIZE: A3 SHEET: 1 OF 2 REV:C

CUSTOMER COPY(FOR SAMSUNG)

REV.	ECN NO OR DESCRIPTION	REVISED	DATE
A	PDR NO.S130902-64	Allen	2014.02.19
B	ECN NO.S141050	Ken	2014.12.02
C	ECN NO.S190524-C	Sugar	2019.07.30



REFERENCE



RECOMMENDED PCB LAYOUT
TOLERANCE: X.XX ±0.05(TOP VIEW)

REV.	ECN NO.	OR DESCRIPTION	REVISED	DATE
A	PDR NO.S130902-6A		Allen	2014.02.19
B	ECN NO.S141050		Ken	2014.12.02
C	ECN NO.S190524-C		Sugar	2019.07.30

UNLESS OTHERWISE SPECIFIED TOLERANCES		Singatron Enterprise Co., Ltd. 信晉企業股份有限公司	
DECIMALS:	ANGLES:	DC POWER JACK	
X : ±0.1	X : ±2°	DWN	Sugar PART NO. 2DC3079-001114F
X.X : ±0.1	X.X : ±1°	CHKD	Spring SCALE 5:1 UNIT: mm
X.XX : ±0.1		APVD	Lussen SIZE: A3 SHEET: 2 OF 2 REV: C

CUSTOMER COPY(FOR SAMSUNG)