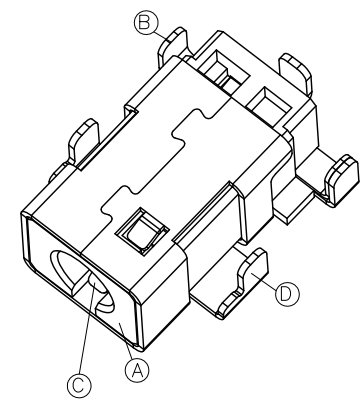
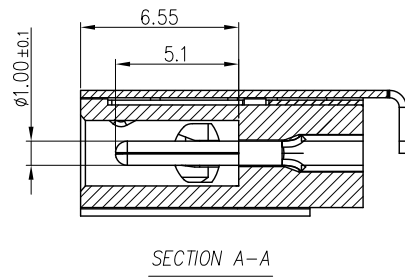
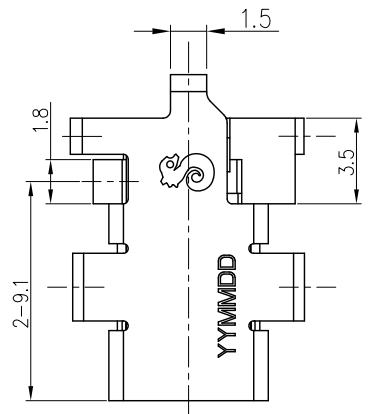
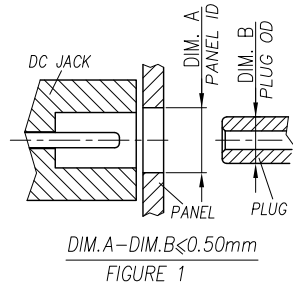
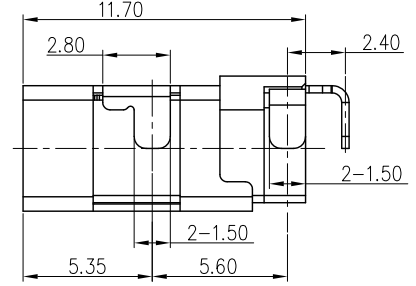
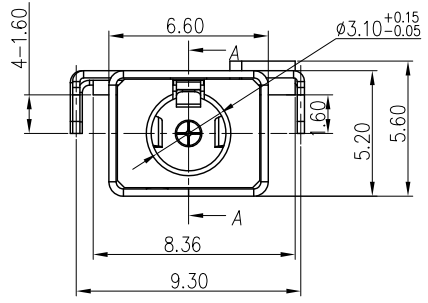
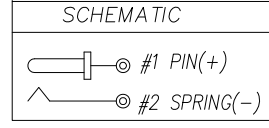


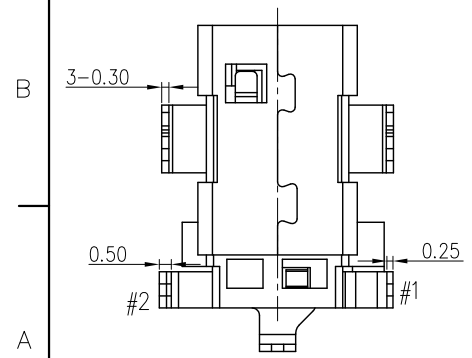
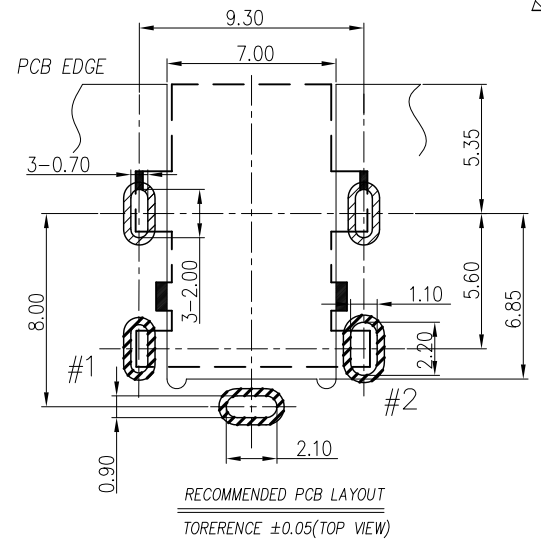
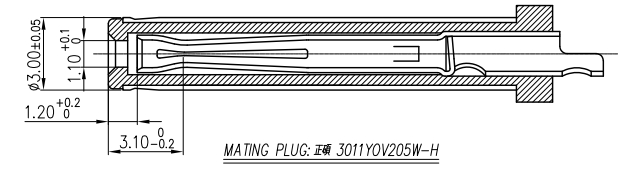
REV.	ECN NO OR DESCRIPTION	REVISED	DATE
A	PDR NO.T140121-2A	Allen	2014.08.08



- SPECIFICATIONS:
- ELECTRICAL CHARACTERISTICS:
 - RATING: 20V 5A;
 - CONTACT RESISTANCE: 30mΩ MAX.(INITIAL)
 - DIELECTRIC WITHSTANDING VOLTAGE: 500V AC FOR ONE MINUTE.
 - INSULATION RESISTANCE: 100MΩ MIN. MEASURED BY 500 VDC
 - MECHANICAL CHARACTERISTICS:
 - INSERTION FORCE&WITHDRAWAL FORCE : 1.2~2.7 KGf(INITIAL).
 - INSERTION FORCE&WITHDRAWAL FORCE : 1.0 KGf Min.(AFTER LIFE TEST).
 - LIFE TEST: 5,000 CYCLES MIN.
 - OTHER GENERAL SPEC. TO REFER "2DC3079-005111F".
 - TO CONFORM TO SINGATRON HAZARDOUS SUBSTANCE FREE SPEC.
 - HALOGEN FREE IDENTIFICATION MARK ON JACK:
 - HALOGEN FREE IDENTIFICATION LABEL ON PACKAGING:
 - FOR REFLOW SOLDERING LEAD-FREE PROCESS.
 - PRINTED DATE CODE "YYMMDD" ON TOP OF CONNECTOR.



10. THE PANEL'S ID MUST BE GREATER THAN THE PLUG'S OD WHICH MUST HAVE A DIFFERENCE OF LESS THAN OR EQUAL TO 0.50mm.(AS SHOWN IN FIGURE 1.)



RECOMMENDED PCB LAYOUT
TOLERANCE ±0.05(TOP VIEW)

NO	DESCRIPTION	QTY	MATERIAL	PLATING & COLOR
D	SHELL	1	STAINLESS 0.3T	Ni 60u" MIN.
C	SPRING	1	YCUT 0.2T	Sn 80u" OVER Ni 50u".
B	PIN	1	COPPER ALLOY 0.25T	GOLD FLASH ON CONTACT AREA; Sn 120u" Min ON SOLDER TAIL; ALL OVER Ni 50u" MIN.
A	BODY	1	HIGH THERMOPLASTIC (HALOGEN FREE) UL94V-0	BLACK
UNLESS OTHERWISE SPECIFIED TOLERANCES		Singatron Enterprise Co., Ltd. 		
DECIMALS: ANGLES:		TITLE: DC POWER JACK		
X : ±0.5	X : ±2°	DWN	Allen	PART NO. 2DC3079-005111F
X.X : ±0.3	X.X : ±1°	CHKD	Sky	SCALE 5:1 UNIT: mm
X.XX : ±0.2		APVD	Lussen	SIZE: A3 SHEET: 1 OF 1 REV:A
CUSTOMER COPY				