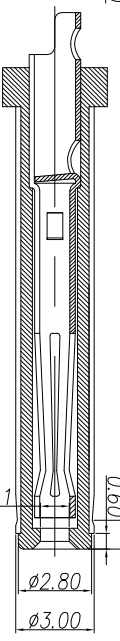
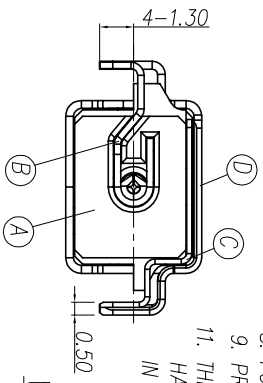
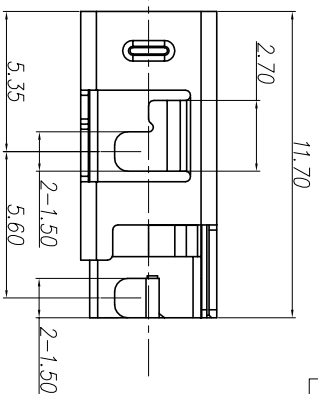
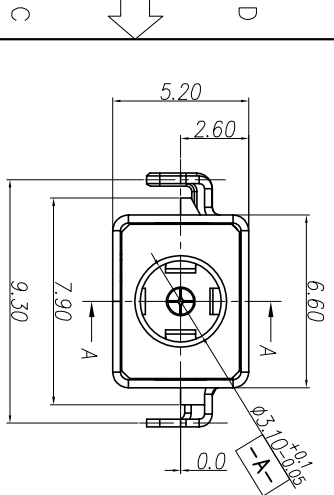
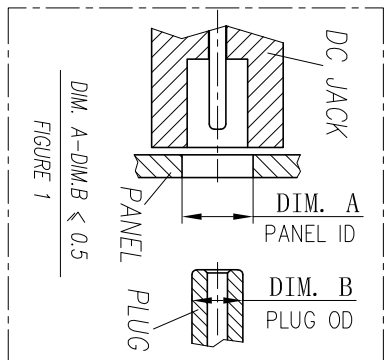
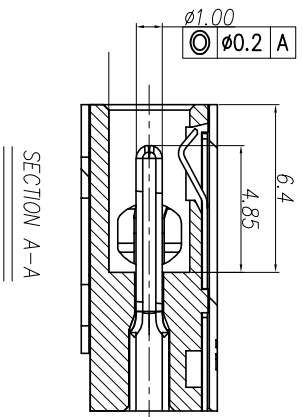
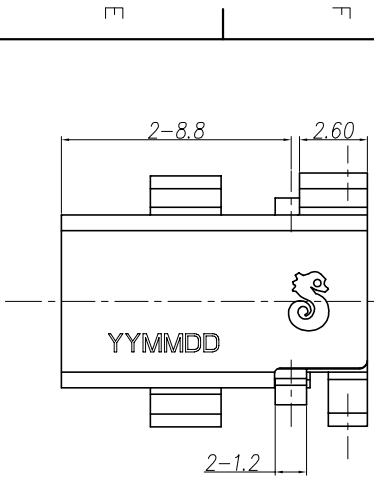
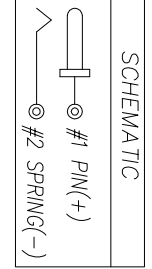
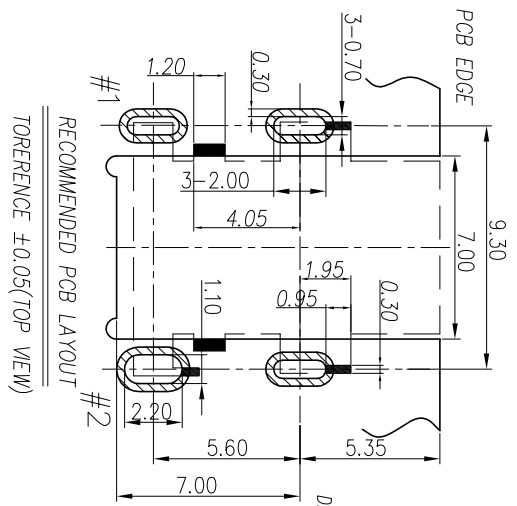
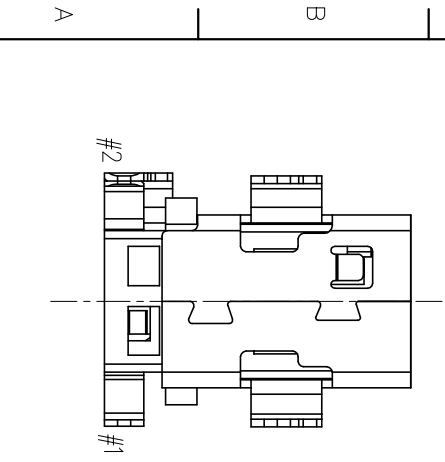


FOR QUANTA



$\phi 3.0$ PULG TYPE (規格 N: 3011Y0V205W-H)



D	SHELL	1	STAINLESS	0.3T	Ni 60u"
C	SPRING	1	COPPER ALLOY	0.2T	Sn 80u" OVER Ni 50u"
B	PIN	1	COPPER ALLOY	0.25T	Sn 120u" MIN PLATED ON SOLDER TAIL. ALL OVER Ni 50u" MIN.
A	BODY	1	HIGH THERMOPLASTIC (HALOGEN FREE) UL94V-0		BLACK

NO	DESCRIPTION	QTY	MATERIAL	PLATING & COLOR
UNLESS OTHERWISE SPECIFIED TOLERANCES				
SINGATRON ENTERPRISE CO., LTD.				
TITLE: DC POWER JACK				
DWG	Jie	PART NO. 2DC3079-007111F		
CHKD	Sky	SCALE 5:1	UNIT: mm	
APVD	Lussen	SIZE: A3	SHEET: 1 OF 1	REV: A

SPECIFICATIONS:

- ELECTRICAL CHARACTERISTICS:
 - RATING: 20V 5A;
 - CONTACT RESISTANCE: 30mΩ MAX.(INITIAL)
 - DIELECTRIC WITHSTANDING VOLTAGE: 500V AC FOR ONE MINUTE
 - INSULATION RESISTANCE: 100MΩ MIN. MEASURED BY 500 VDC
- MECHANICAL CHARACTERISTICS:
 - INSERTION FORCE : 3.0 KGf MAX.
 - WITHDRAWAL FORCE : 1.2~3.0 KGf(INITIAL); 0.70KGf MIN.(AFTER LIFE TEST);
 - LIFE TEST: 5,000 CYCLES MIN.
 - OTHER GENERAL SPEC. TO REFER "2DC3079-001111F SPEC."
 - TO CONFORM TO SINGATRON HAZARDOUS SUBSTANCE FREE SPEC.
 - HALOGEN FREE PRODUCT IDENTIFICATION MARK ON JACK: (C)
 - FOR REFLOW SOLDERING LEAD-FREE PROCESS.
 - PRINTED DATE CODE "YYMMDD" ON TOP OF CONNECTOR.
 - THE PANEL'S ID MUST BE GREATER THAN THE PLUG'S OD WHICH MUST HAVE A DIFFERENCE OF LESS THAN OR EQUAL TO 0.5 mm.(AS SHOWN IN FIGURE 1)

REV	ECN NO OR DESCRIPTION	REVISED	DATE
A	PDR NO.TT40821-3A	Jie	2014.09.24