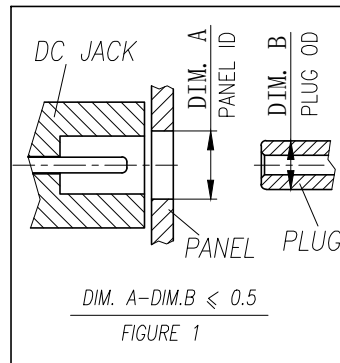
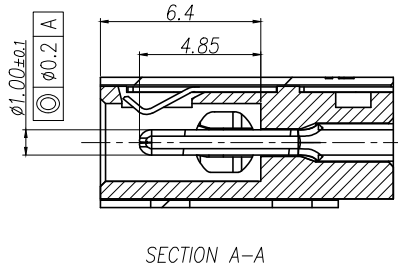
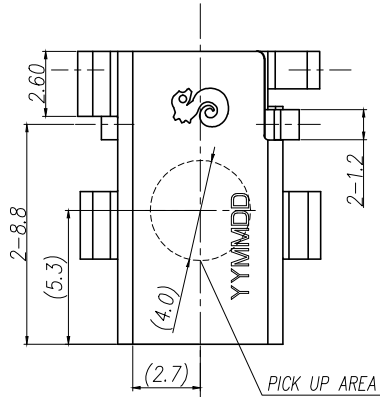


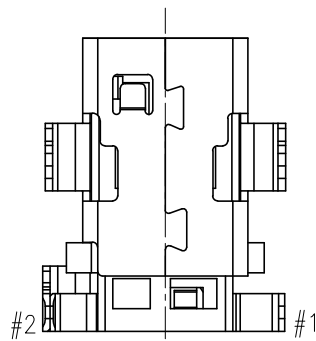
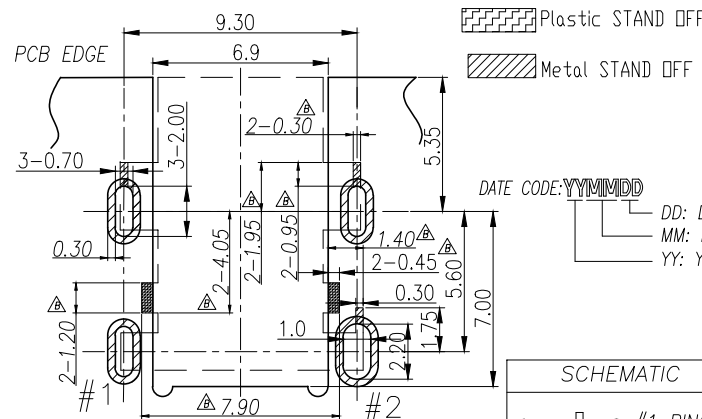
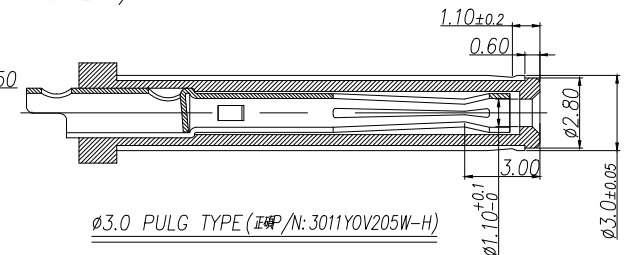
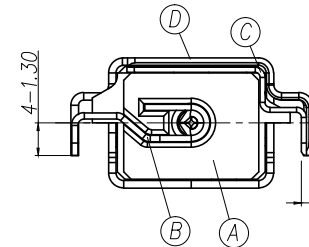
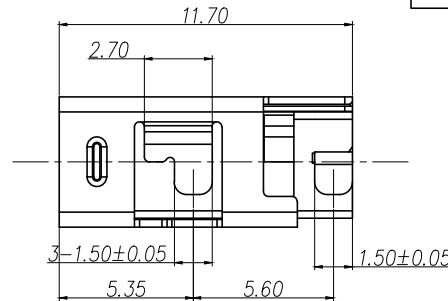
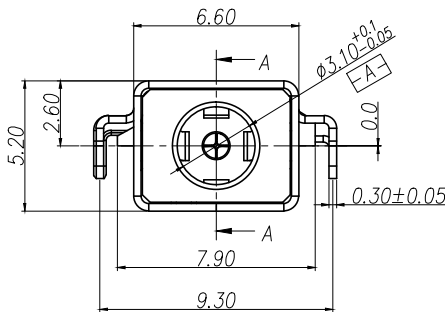
REV.	ECN NO OR DESCRIPTION	REVISED	DATE
A	PDR No.: T160421-1A	Ron	2016.07.07
B	ECN No.: S171025-C	YUREN	2017.12.8



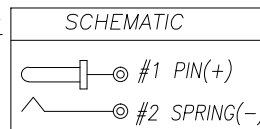
SPECIFICATIONS:

- ELECTRICAL CHARACTERISTICS:
 - RATING: 20V 5A;
 - CONTACT RESISTANCE: 30mΩ MAX.(INITIAL)
 - DIELECTRIC WITHSTANDING VOLTAGE: 500V AC FOR ONE MINUTE.
 - INSULATION RESISTANCE: 100MΩ MIN. MEASURED BY 500 VDC
- MECHANICAL CHARACTERISTICS:
 - INSERTION FORCE : 3.0 KGF MAX.
 - WITHDRAWAL FORCE : 1.2~3.0 KGF(INITIAL); 0.70KGF MIN.(AFTER LIFE TEST).
- LIFE TEST: 5,000 CYCLES MIN.
- OTHER GENERAL SPEC. TO REFER "2DC3079-012111F SPEC".
- TO CONFORM TO SINGATRON HAZARDOUS SUBSTANCE FREE SPEC.
- HALOGEN FREE PRODUCT IDENTIFICATION MARK ON JACK:
- HALOGEN FREE PRODUCT IDENTIFICATION LABEL ON PACKAGING:
- FOR REFLOW SOLDERING LEAD-FREE PROCESS.
- PRINTED DATE CODE "YYMMDD" ON TOP OF CONNECTOR.

HAVE A DIFFERENCE OF LESS THAN OR EQUAL TO 0.5 mm.(AS SHOWN IN FIGURE 1.)



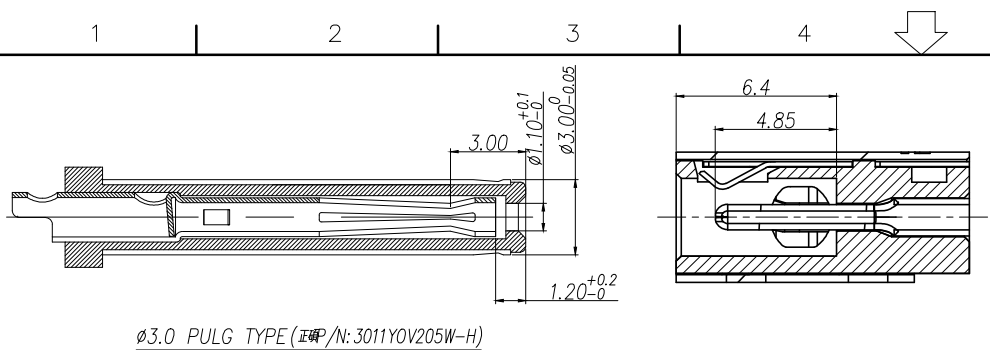
RECOMMENDED PCB LAYOUT
TOLERANCE ±0.05(TOP VIEW)



NO	DESCRIPTION	QTY	MATERIAL	PLATING & COLOR
D	SHELL	1	SUS304 0.3T	Ni 60u"
C	SPRING	1	YCUTM-FX 0.2T	Sn 80u" OVER Ni 50u"
B	PIN	1	C5210-EH 0.25T	GOLD FLASH ON CONTACT AREA; Sn 120u" Min. PLATED ON SOLDER TAIL; ALL OVER Ni 50u" MIN.
A	BODY	1	PA10T+30%GF R630NH	BLACK

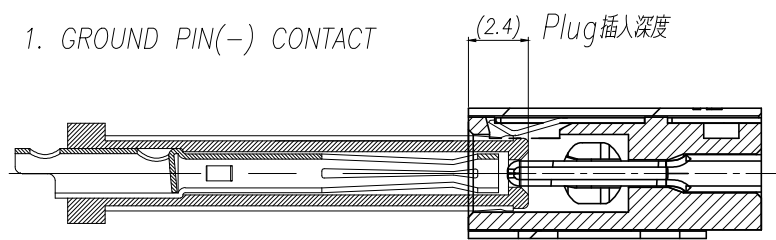
UNLESS OTHERWISE SPECIFIED TOLERANCES		SINGATRON ENTERPRISE CO., LTD. 信音企業股份有限公司	
DECIMALS:	ANGLES:	TITLE: DC POWER JACK	
X : ±0.5	X : ±2°	DWN	YUREN PART NO. 2DC3079-012111F
X.X : ±0.3	X.X : ±1°	CHKD	SKY SCALE 5:1 UNIT: mm
X.XX : ±0.2		APVD	LUSSEN SIZE: A3 SHEET: 1/2 REV: B
CUSTOMER COPY			

REV.	ECN NO OR DESCRIPTION	REVISED	DATE
A	PDR No.: T160421-1A	Ron	2016.07.07
B	ECN No.: S171025-C	YUREN	2017.12.8

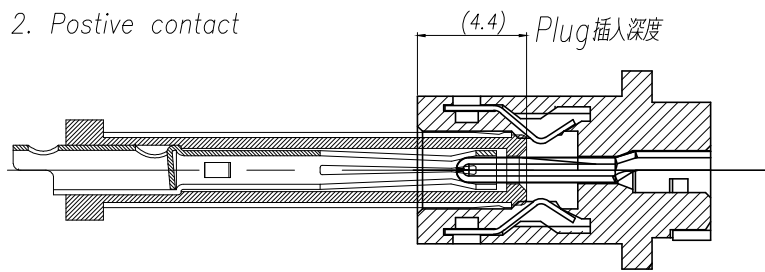


φ3.0 PULG TYPE (正牌/N: 3011Y0V205W-H)

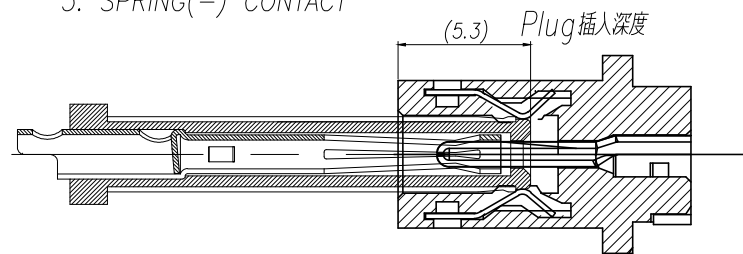
1. GROUND PIN(-) CONTACT



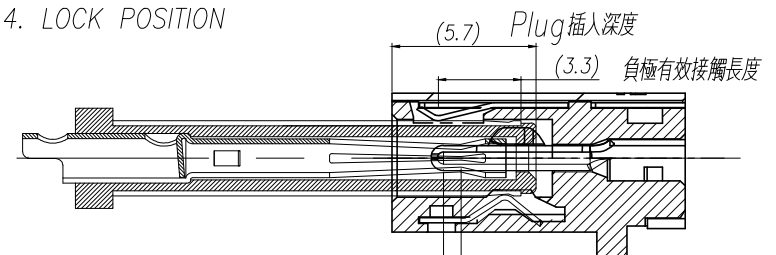
2. Postive contact



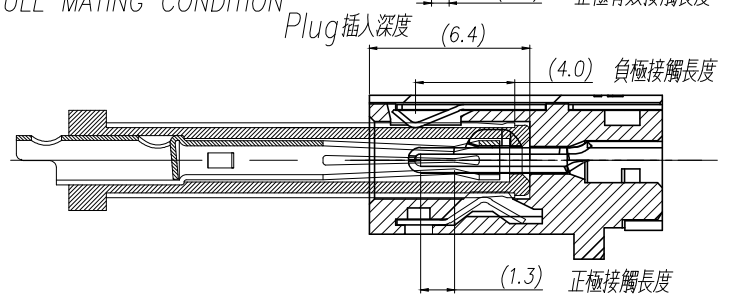
3. SPRING(-) CONTACT



4. LOCK POSITION



5. FULL MATING CONDITION



UNLESS OTHERWISE SPECIFIED TOLERANCES

DECIMALS:	ANGLES:
X :±0.5	X :±2°
X.X :±0.3	X.X :±1°
X.XX :±0.2	



Singatron Enterprise Co., Ltd.
信音企業股份有限公司

TITLE	MATING		
DWN	YUREN	PART NO. 2DC3079-012111F	
CHKD	SKY	SCALE 5:1	UNIT: mm
APVD	LUSSEN	SIZE: A3	SHEET: 2/2
REV: B			

CUSTOMER COPY