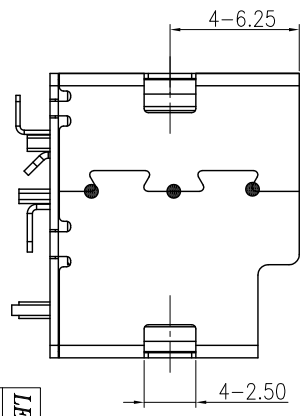
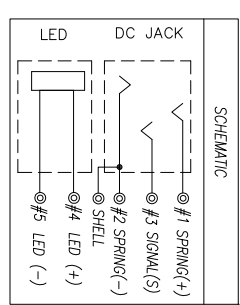
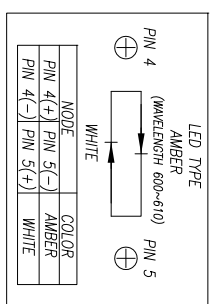
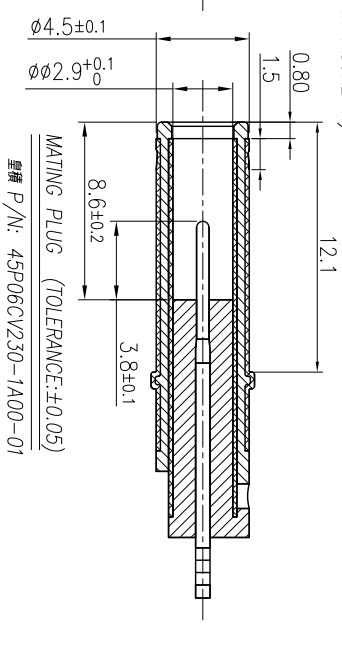
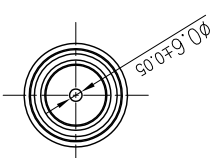
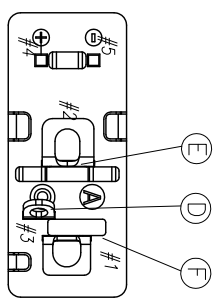
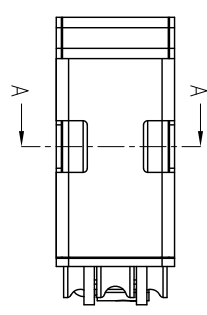
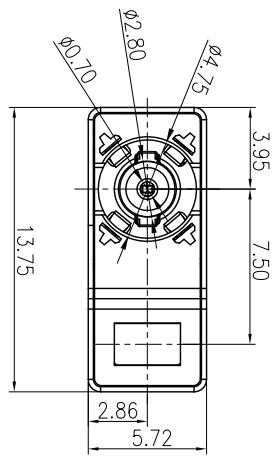
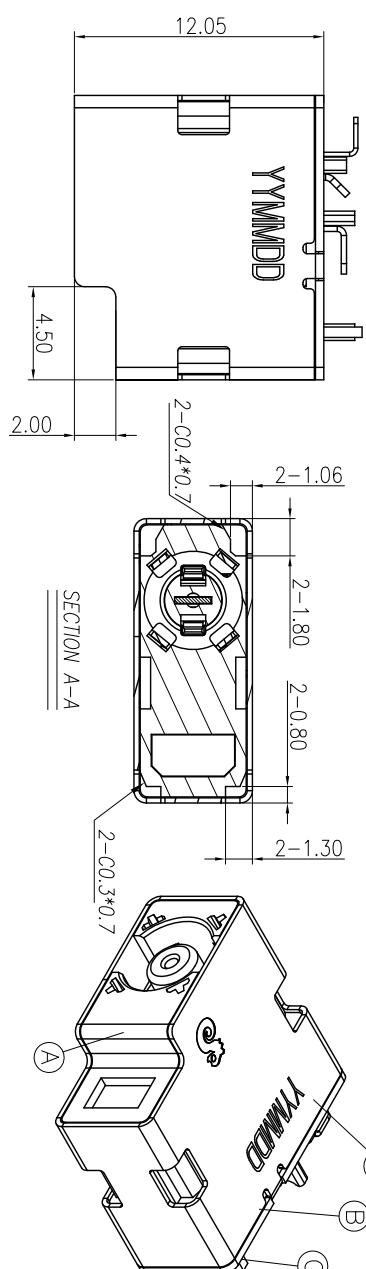


| REV | ECN NO | OR DESCRIPTION | REVISED | DATE |
|-----|-------------------|----------------|----------|------------|
| A | PDR NO.1T40829-3A | | Springw4 | 2014.12.13 |

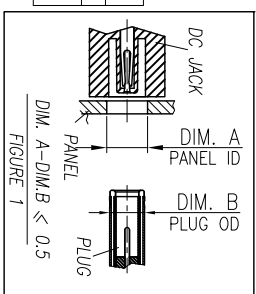
SPECIFICATIONS:
1. ELECTRICAL CHARACTERISTICS:

- 1-1: RATING: 20V 10A
- 1-2: CONTACT RESISTANCE: 30mΩ MAX.
- 1-3: DIELECTRIC WITHSTANDING VOLTAGE: 500V AC FOR ONE MINUTE.
- 1-4: INSULATION RESISTANCE: 100MΩ MIN. MEASURED BY 500 VDC.
- 2. MECHANICAL CHARACTERISTICS:
- 2-1: INSERTION FORCE: 2.5 Kgf MAX.
- 2-2: WITHDRAWAL FORCE: INITIAL 0.6~2.0 Kgf AFTER LIFE TEST: 0.5kgf MIN
- 3. LIFE TEST: 5,000 CYCLES.
- 4. TO CONFORM TO SINGATRON HAZARDOUS SUBSTANCE FREE SPEC.
- 5. HALOGEN FREE PRODUCT IDENTIFICATION MARK ON JACK:
- 6. HALOGEN FREE PRODUCT IDENTIFICATION LABEL ON PACKAGING:
- 7. FOR HAND SOLDERING LEAD-FREE PROCESS:
- 8. PRINTED DATE CODE "YYMMDD" ON TOP OF CONNECTOR.

(YYMMDD YY:YEAR MM:MONTH DD:DAY)
9. THE PANEL'S ID MUST BE GREATER THAN THE PLUG'S OD WHICH MUST HAVE A DIFFERENCE OF LESS THAN OR EQUAL TO 0.5 mm.(AS SHOWN IN FIGURE 1.)



LED Soldering Condition:
Peak Temperature: 350 °C Max.
Dwell time: 3 sec. Max.
SOLDERING IRON 350 °C Max. (ONE TIME ONLY)



| NO | DESCRIPTION | QTY | MATERIAL | PLATING & COLOR |
|----|--------------|-----|-----------------------------------|----------------------------|
| A | BODY | 1 | ICP+302GF UL 94V-0 (HALOGEN FREE) | BLACK |
| B | COVER | 1 | ICP+302GF UL 94V-0 (HALOGEN FREE) | BLACK |
| C | SHELL | 1 | SUS 304-1/2H 0.25T | Ni 50U/Mn. |
| D | SIGNAL | 1 | CS210 0.30T | |
| E | SPRING(+) | 1 | YG210-FX 0.20T | |
| F | SPRING(-) | 1 | CS210 0.25T | |
| G | LED(發光AVAGO) | 1 | GaN/SiC | WHITE/AMBER(600~610) LIGHT |

UNLESS OTHERWISE SPECIFIED TOLERANCES:
DECIMALS: ANGLES:
X :±0.5 X :±2°
X.X :±0.3 X.X :±1°
X.XX :±0.2

Singatron Enterprise Co., Ltd.
信晉企業股份有限公司

TITLE: DC POWER JACK WITH LED
DWG: Springw4 PART NO: 2DC3080-003114F
CHKD: Sky SCALE: 4:1 UNIT: mm
APVD: Lussen SIZE: A3 SHEET: 1 OF 1 REV: A

CUSTOMER COPY