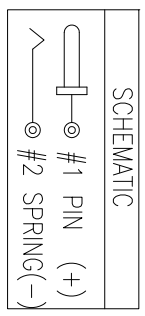
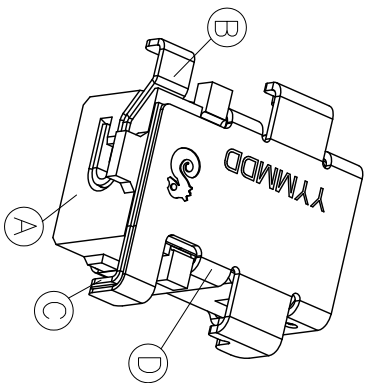
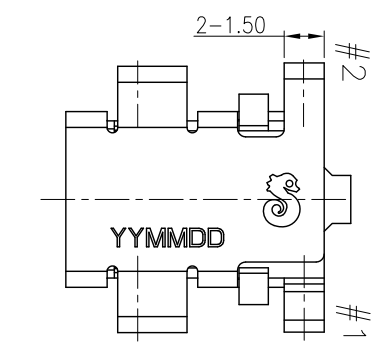


REV.	ECN NO.	OR DESCRIPTION	REVISED	DATE
A	PDR NO.T120816-2A		Springwu	2013.02.26

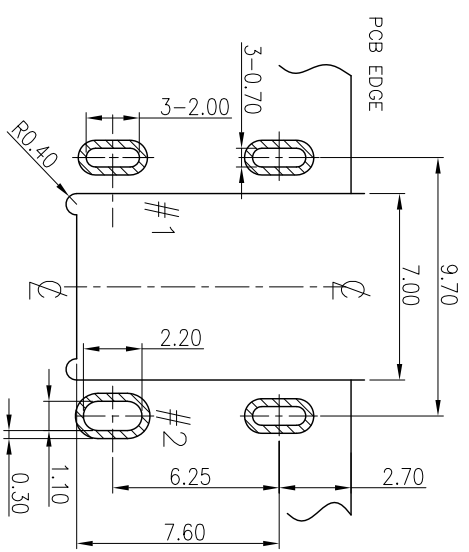
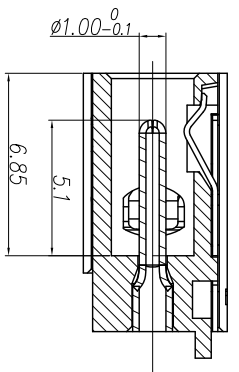
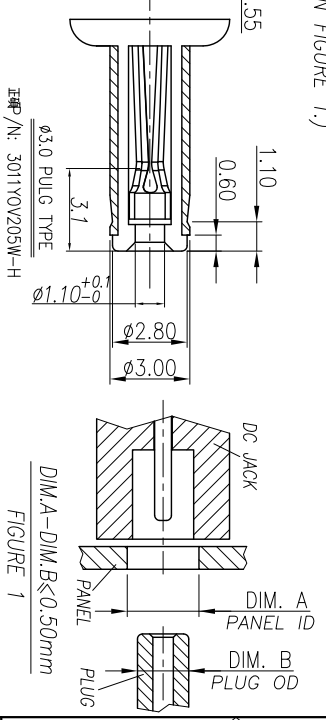
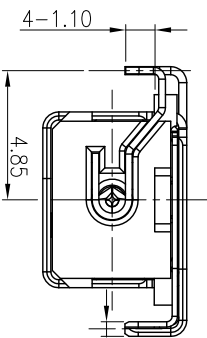
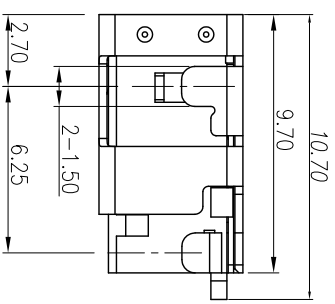
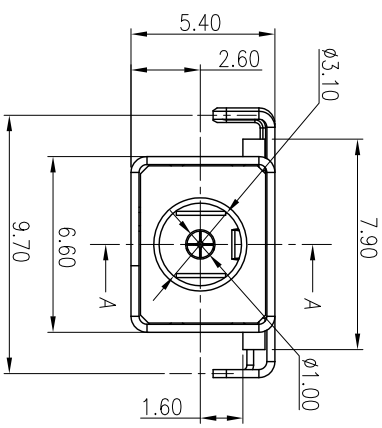


DATE CODE: YYMMDD
 DD: DAY
 MM: MONTH
 YY: YEAR

SPECIFICATIONS:
 1. ELECTRICAL CHARACTERISTICS:

- 1-1. RATING: 20V 3.5A;
 - 1-2. CONTACT RESISTANCE: 30mΩ MAX.(INITIAL)
 - 1-3. DIELECTRIC WITHSTANDING VOLTAGE: 500V AC FOR ONE MINUTE.
 - 1-4. INSULATION RESISTANCE: 100MΩ MIN. MEASURED BY 500 VDC
2. MECHANICAL CHARACTERISTICS:
- 2-1. INSERTION FORCE & WITHDRAWAL FORCE: 0.6~3.0KGf(INITIAL);
 - 2-2. INSERTION FORCE & WITHDRAWAL FORCE : 0.4~2.5KGf(AFTER LIFE TEST);

- 3. LIFE TEST: 5,000 CYCLES MIN.
- 4. OTHER GENERAL SPEC. TO REFER "2DC3082 SERIES SPEC."
- 5. TO CONFORM TO SINGATRON HAZARDOUS SUBSTANCE FREE SPEC.
- 6. GREEN PRODUCT IDENTIFICATION MARK ON JACK: (C)
- 7. GREEN PRODUCT IDENTIFICATION LABEL ON PACKAGING: (E)
- 8. FOR REFLOW SOLDERING LEAD-FREE PROCESS.
- 9. PRINTED DATE CODE "YYMMDD" ON TOP OF CONNECTOR.
- 10. THE PANEL'S ID MUST BE GREATER THAN THE PLUG'S OD WHICH MUST HAVE A DIFFERENCE OF LESS THAN OR EQUAL TO 0.50mm (AS SHOWN IN FIGURE 1.)



RECOMMENDED PCB LAYOUT
 TOLERANCE ±0.05(TOP VIEW)

D	SHELL	1	STAINLESS 0.3T	IN 60μ" MIN	
C	SPRING	1	COPPER ALLOY 0.2T	SP 80μ" OVER IN 50μ" MIN	
B	PIN	1	COPPER ALLOY 0.25T	GOLD FLASH ON CONTACT AREA: SP 120μ" MIN PLATED ON SOLDER TAIL; ALL OVER IN 50μ" MIN.	
A	BODY	1	HIGH THERMOPLASTIC (HALOGEN FREE) UL94V-0	BLACK	
NO	DESCRIPTION	QTY	MATERIAL	PLATING & COLOR	

UNLESS OTHERWISE SPECIFIED TOLERANCES
 Singatron Enterprise Co., Ltd.
 信亨企業股份有限公司

DECIMALS:	ANGLES:	TITLE	DC POWER JACK
X : ±0.5	X : ±2°	DWN	Springwu
X.X : ±0.3	X.X : ±1°	CHKD	Sky
X.XX : ±0.2		APVD	Lussen

PART NO. 2DC3082-001111F
 SCALE 5:1 UNIT: mm
 SIZE: A3 SHEET: 1 OF 1 REV: A
CUSTOMER COPY