

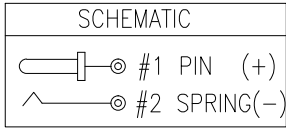
REV.	ECN NO OR DESCRIPTION	REVISED	DATE
A	PDR NO.T131017-8A	Springwu	2013.12.11

SPECIFICATIONS:

1. ELECTRICAL CHARACTERISTICS:

- 1-1. RATING: 20V 3.5A;
 - 1-2. CONTACT RESISTANCE: 30mΩ MAX.(INITIAL)
 - 1-3. DIELECTRIC WITHSTANDING VOLTAGE: 500V AC FOR ONE MINUTE.
 - 1-4. INSULATION RESISTANCE: 100MΩ MIN. MEASURED BY 500 VDC
2. MECHANICAL CHARACTERISTICS:

- 2-1. INSERTION FORCE & WITHDRAWAL FORCE: 0.6~3.0KGF(INITIAL);
- 2-2. INSERTION FORCE & WITHDRAWAL FORCE : 0.4~2.5KGF(AFTER LIFE TEST);
3. LIFE TEST: 5,000 CYCLES MIN.
4. OTHER GENERAL SPEC. TO REFER "2DC3082-001111F SPEC".
5. TO CONFORM TO SINGATRON HAZARDOUS SUBSTANCE FREE SPEC.
6. HALOGEN FREE PRODUCT IDENTIFICATION MARK ON JACK:
7. HALOGEN FREE PRODUCT IDENTIFICATION LABEL ON PACKAGING:
8. FOR REFLOW SOLDERING LEAD-FREE PROCESS.
9. PRINTED DATE CODE "YYMMDD" ON TOP OF CONNECTOR.
10. THE PANEL'S ID MUST BE GREATER THAN THE PLUG'S OD WHICH MUST HAVE A DIFFERENCE OF LESS THAN OR EQUAL TO 0.50mm.(AS SHOWN IN FIGURE 1.)



DATE CODE:YYMMDD

DD: DAY
MM: MONTH
YY: YEAR

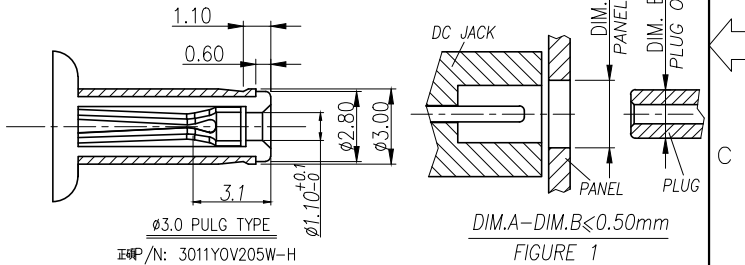
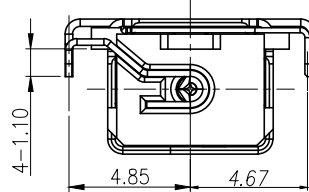
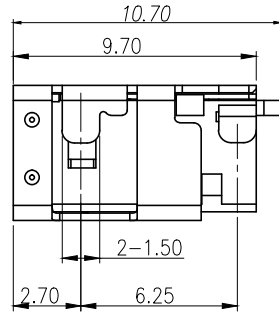
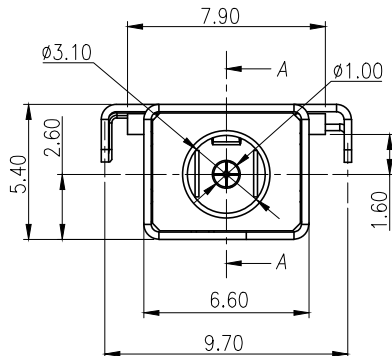
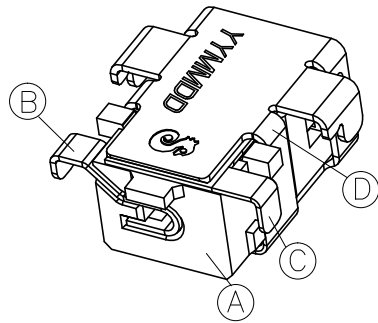
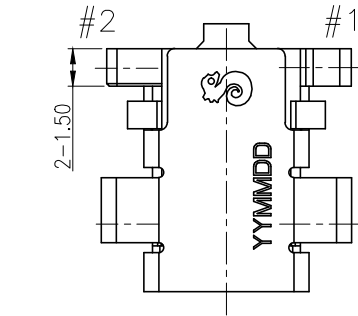
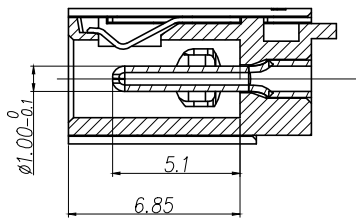
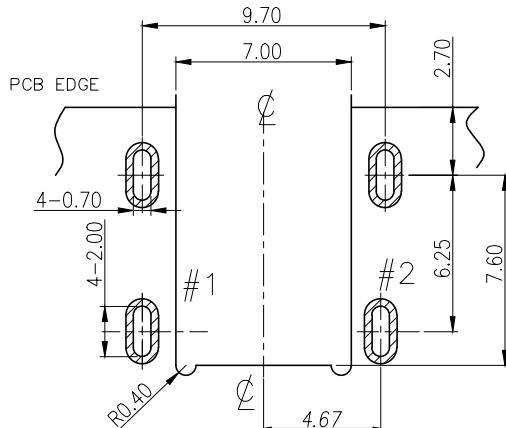


FIG.1/N: 3011Y0V205W-H

FIGURE 1



SECTION A-A



RECOMMENDED PCB LAYOUT
TOLERANCE ±0.05(TOP VIEW)

NO	DESCRIPTION	QTY	MATERIAL	PLATING & COLOR
D	SHELL	1	STAINLESS 0.3T	Ni 60u" MIN
C	SPRING	1	COPPER ALLOY 0.2T	Sn 80u" OVER Ni 50u" MIN.
B	PIN	1	COPPER ALLOY 0.25T	GOLD FLASH ON CONTACT AREA; BRIGHT Sn 120u" Min PLATED ON SOLDER; ALL OVER Ni 50u" MIN.
A	BODY	1	HIGH THERMOPLASTIC (HALOGEN FREE) UL94V-0	BLACK

UNLESS OTHERWISE SPECIFIED TOLERANCES		Singatron Enterprise Co., Ltd. 信音企業股份有限公司	
DECIMALS:	ANGLES:	TITLE: DC POWER JACK	
X :±0.5	X :±2°	DWN	Springwu PART NO. 2DC3082-031111F
X.X :±0.3	X.X :±1°	CHKD	Sky SCALE 5:1 UNIT: mm
X.XX :±0.2		APVD	Lussen SIZE: A3 SHEET:1 OF 1 REV:A
CUSTOMER COPY			