

REV.	ECN NO OR DESCRIPTION	REVISED	DATE
A	PDR NO.T13114-9A	SpringWeng	2013.11.25

SPECIFICATIONS:

1. ELECTRICAL CHARACTERISTICS:

- 1-1. RATING: 20V 3.5A;
 - 1-2. CONTACT RESISTANCE: 30mΩ MAX.(INITIAL)
 - 1-3. DIELECTRIC WITHSTANDING VOLTAGE: 500V AC FOR ONE MINUTE.
 - 1-4. INSULATION RESISTANCE: 100MΩ MIN. MEASURED BY 500 VDC
- 2. MECHANICAL CHARACTERISTICS:**
- 2-1. INSERTION FORCE & WITHDRAWAL FORCE: 0.6~3.0KGf(INITIAL);
 - 2-2. INSERTION FORCE & WITHDRAWAL FORCE :
0.4~2.5KGf(AFTER LIFE TEST);

- 3. LIFE TEST: 5,000 CYCLES MIN.
- 4. OTHER GENERAL SPEC. TO REFER "2DC3082 SERIES SPEC."
- 5. TO CONFORM TO SINGATRON HAZARDOUS SUBSTANCE FREE SPEC.
- 6. GREEN PRODUCT IDENTIFICATION MARK ON JACK: (C)
- 7. GREEN PRODUCT IDENTIFICATION LABEL ON PACKAGING: (E)
- 8. FOR REFLOW SOLDERING LEAD-FREE PROCESS.
- 9. PRINTED DATE CODE "YYMMDD" ON TOP OF CONNECTOR.
- 10. THE PANEL'S ID MUST BE GREATER THAN THE PLUG'S OD WHICH MUST HAVE A DIFFERENCE OF LESS THAN OR EQUAL TO 0.50mm.(AS SHOWN IN FIGURE 1.)

SCHEMATIC

#1 PIN (+)
#2 SPRING (-)

DATE CODE: YYMMDD
DD: DAY
MM: MONTH
YY: YEAR

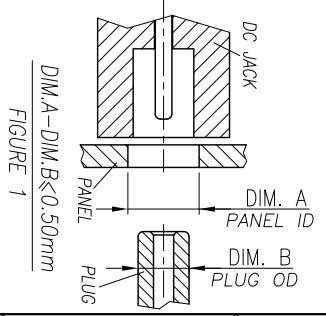
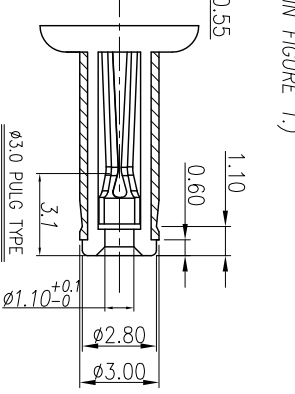
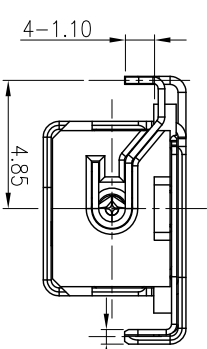
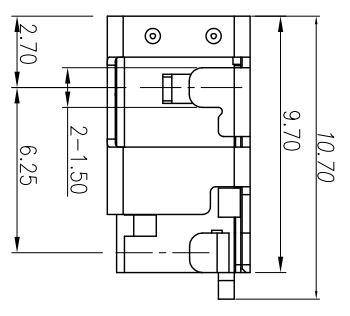
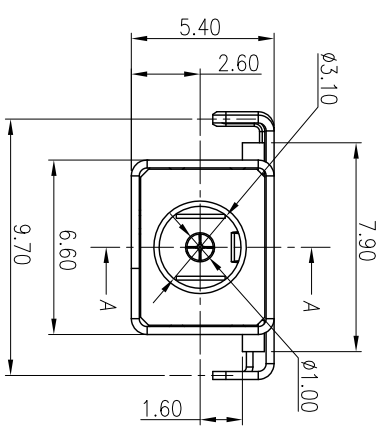
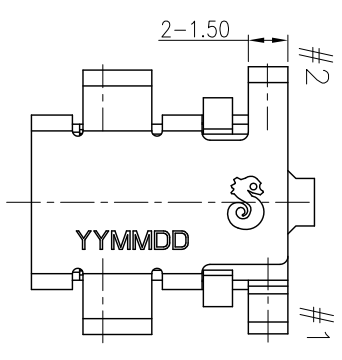
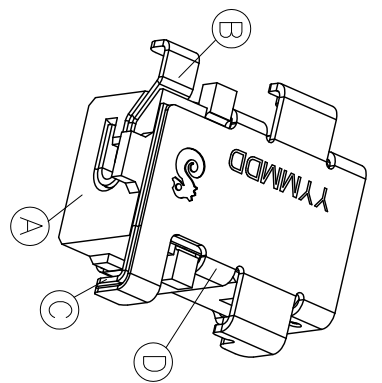
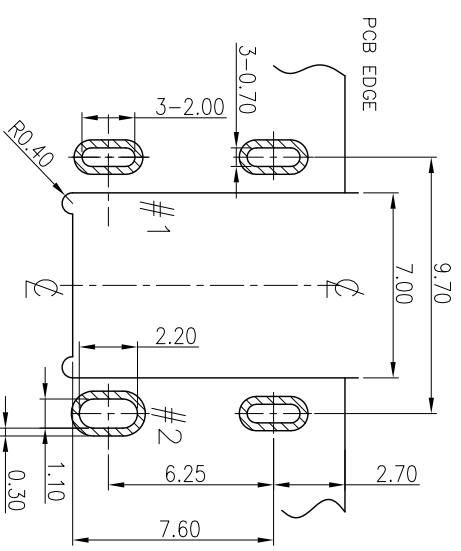
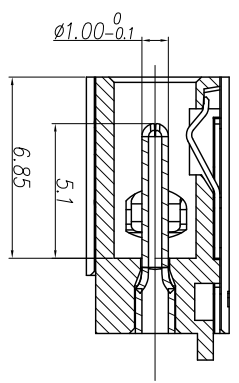


FIGURE 1



RECOMMENDED PCB LAYOUT
TOLERANCE ±0.05(TOP VIEW)

NO	DESCRIPTION	QTY	MATERIAL	PLATING & COLOR
D	SHELL	1	STAINLESS	Ni 60μ" MIN
C	SPRING	1	COPPER ALLOY 0.2T	Sn 80μ" OVER Ni 50μ" MIN
B	PIN	1	COPPER ALLOY 0.25T	Sn 120μ" Min PLATED ON SOLDER TAIL, ALL OVER Ni 50μ" MIN.
A	BODY	1	HIGH THERMOPLASTIC (HALOGEN FREE) UL94V-0	BLACK

UNLESS OTHERWISE SPECIFIED TOLERANCES

DECIMALS: ANGLES:

X	±0.5	X	±2°
X.X	±0.3	X.X	±1'
X.XX	±0.2		

TITLE: DC POWER JACK

PART NO. 2DC3082-051111F

SCALE 5:1 UNIT: mm

SIZE: A3 SHEET: 1 OF 1 REV: A

SINGATRON ENTERPRISE CO., LTD.
信音企業股份有限公司