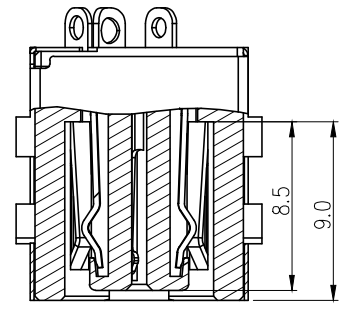
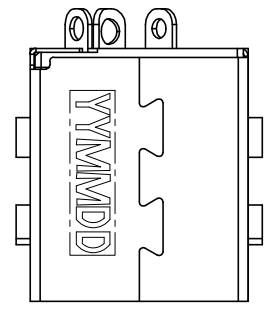
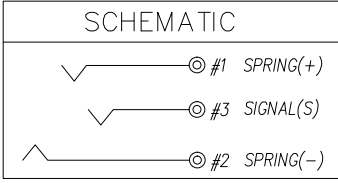


REV.	ECN NO OR DESCRIPTION	REVISED	DATE
A	PDR NO:T120904-4A	Summer	2013.02.26
B	ECN NO:S140123	SEAN	2014.03.28

SPECIFICATIONS:

- ELECTRICAL CHARACTERISTICS:
 - RATING: 20V 10A
 - CONTACT RESISTANCE: 30mΩ MAX.(INITIAL)
 - DIELECTRIC WITHSTANDING VOLTAGE: 500V AC FOR ONE MINUTE.
 - INSULATION RESISTANCE: 100MΩ MIN. MEASURED BY 500V DC.
- MECHANICAL CHARACTERISTICS:
 - INSERTION FORCE: 2.1Kg Max.
 - WITHDRAWAL FORCE: 0.6Kg Min.
- LIFE TEST: 15000 CYCLES MIN.
- OTHER GENERAL SPEC. TO REFER "2DC3089-000114F SPEC".
- TO CONFORM TO SINGATRON HAZARDOUS SUBSTANCE FREE SPEC.
- HALOGEN FREE PRODUCT IDENTIFICATION MARK ON JACK:
- HALOGEN FREE PRODUCT IDENTIFICATION LABEL ON PACKAGING:
- FOR HAND SOLDERING LEAD-FREE PROCESS.
- THE PANEL'S ID MUST BE GREATER THAN THE PLUG'S OD WHICH HAVE A DIFFERENCE OF LESS THAN OR EQUAL TO 0.5 mm.(AS SHOWN IN FIGURE 1.)



A-A SECTION

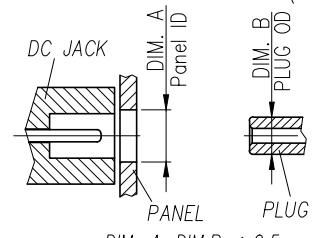
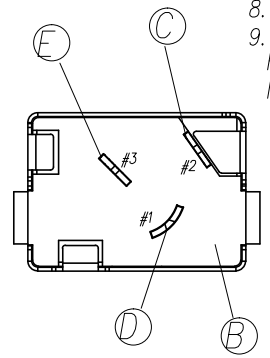
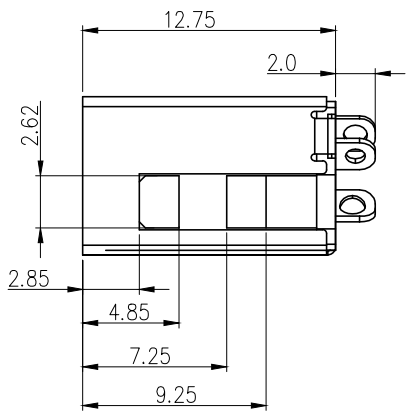
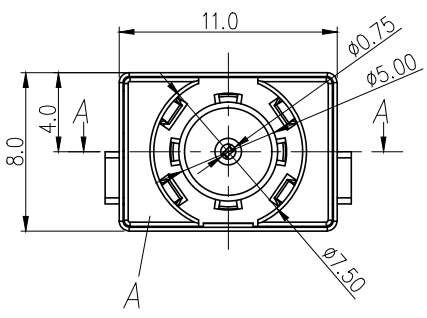
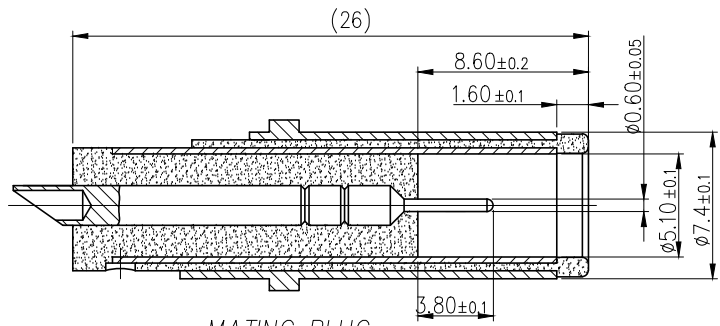
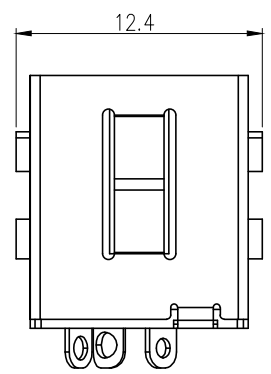


FIGURE 1



MATING PLUG

NO	DESCRIPTION	QTY	MATERIAL	PLATING & COLOR
F	SHELL	1	SUS 0.2t	可焊Ni60u" Min
E	SIGNAL (S)	1	COPPER ALLOY 0.3t	GOLD FLASH ON CONTACT AREA; Sn 120u" ON SOLDER TAIL; ALL OVER Ni 50u"
D	SPRING (+)	1	COPPER ALLOY 0.3t	
C	SPRING (-)	1	COPPER ALLOY 0.3t	
B	COVER	1	THERMOPLASTIC UL94V-0	BLACK
A	BODY	1	THERMOPLASTIC UL94V-0	BLACK

UNLESS OTHERWISE SPECIFIED TOLERANCES		Singatron Enterprise Co., Ltd. 信音企業股份有限公司	
DECIMALS:	ANGLES:		
X : ±0.5	X : ±2°	TITLE: DC POWER JACK	
X.X : ±0.3	X.X : ±1°	DWN: SEAN	PART NO. 2DC3089-000114F
X.XX : ±0.2		CHKD: CERRY	SCALE 4:1 UNIT: mm
		APVD: MAX	SIZE: A3 SHEET: 1 OF 1 REV: B
CUSTOMER COPY			