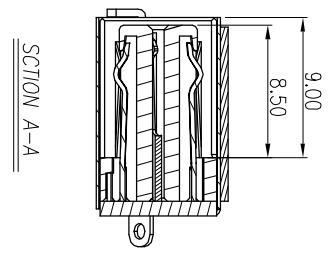
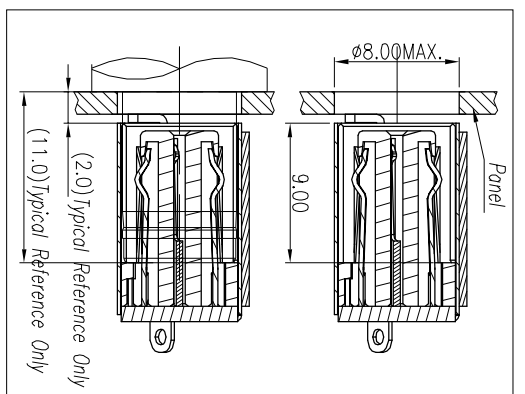


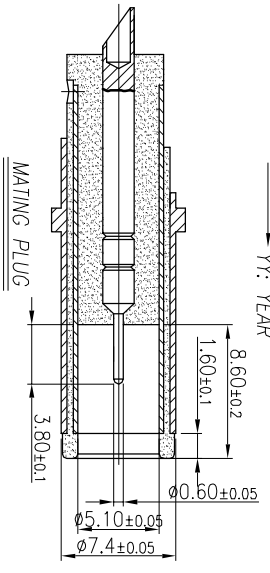
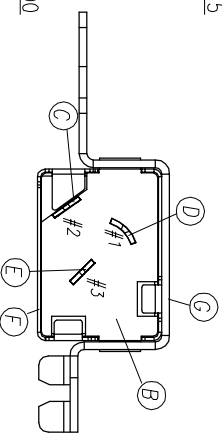
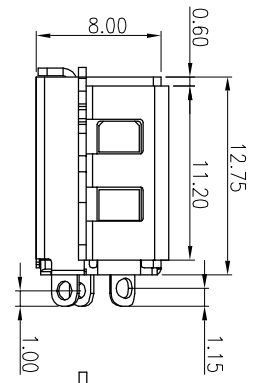
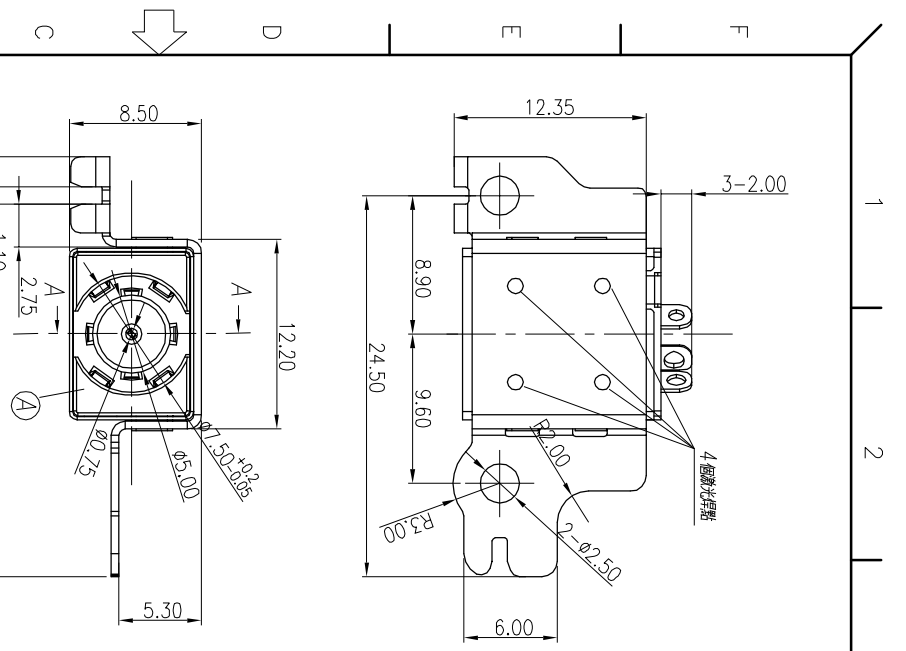
REV	EGN NO	OR DESCRIPTION	REVISED	DATE
A	PDR NO:1160519-11A	Springwu	2016.11.16	

**SPECIFICATIONS:**

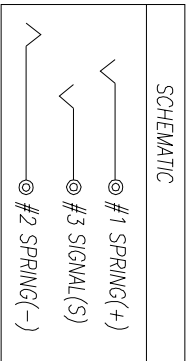
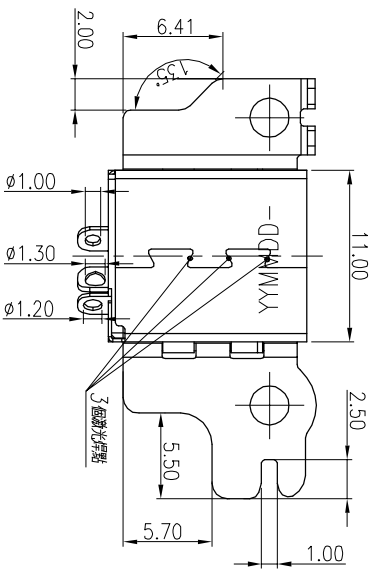
- 1. ELECTRICAL CHARACTERISTICS:**
- 1-1. RATING: 20V 10A;
  - 1-2. CONTACT RESISTANCE:  $30m\Omega$  MAX. (INITIAL)
  - 1-3. DIELECTRIC WITHSTANDING VOLTAGE: 500V AC FOR ONE MINUTE.
  - 1-4. INSULATION RESISTANCE: 100M  $\Omega$  MIN. MEASURED BY 500V DC.
- 2. MECHANICAL CHARACTERISTICS:**
- 2-1. INSERTION FORCE: 0.7~2.0kgf (INITIAL), 2.0kgf Max. (AFTER LIFE TEST).
  - 2-2. WITHDRAWAL FORCE: 0.7~2.0kgf (INITIAL), 0.6kgf MIN. (AFTER LIFE TEST).
3. LIFE TEST: 15000 CYCLES MIN.
4. OTHER GENERAL SPEC. TO REFER "2DC3089-006114F SPEC";
5. TO CONFORM TO SINGATRON HAZARDOUS SUBSTANCE FREE SPEC.
6. HALOGEN FREE PRODUCT IDENTIFICATION MARK ON JACK:
7. HALOGEN FREE PRODUCT IDENTIFICATION LABEL ON PACKAGING:
8. FOR HAND SOLDERING LEAD-FREE PROCESS.
9. PRINTED DATE CODE "YYMMDD" ON TOP OF CONNECTOR.



SECTION A-A



MATING PLUG



SCHEMATIC

G	BRACKET	1	SUS430 0.5T	N/A
F	SHELL	1	SUS 0.2T	可焊Ni60u" Min
E	SIGNAL (S)	1	COPPER ALLOY 0.3T	GOLD FLASH ON CONTACT AREA, Sn 120u" ON SOLDER TAIL.
D	SPRING (+)	1	COPPER ALLOY 0.3T	ALL OVER IN 50u"
C	SPRING (-)	1	COPPER ALLOY 0.3T	
B	COVER	1	THERMOPLASTIC UL94V-0	BLACK
A	BODY	1	THERMOPLASTIC UL94V-0	BLACK
NO	DESCRIPTION	QTY	MATERIAL	PLATING & COLOR

UNLESS OTHERWISE SPECIFIED TOLERANCES

Singatron Enterprise Co., Ltd.  
信益企業股份有限公司

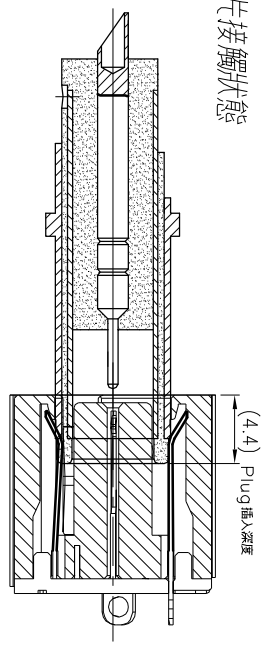
DECIMALS:	ANGLES:
X : ±0.5	X : ±2°
X.X : ±0.3	X.X : ±1°
X.XX : ±0.2	

TITLE	DC POWER JACK
DWN Springwu	PART NO. 2DC3089-006114F
CHKD Sky	SCALE 4:1 UNIT: mm
APVD Lussen	SIZE: A3 SHEET: 1 OF 2 REV: A

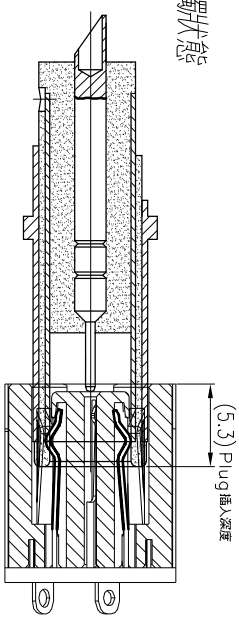
CUSTOMER COPY

REV	ECN NO OR DESCRIPTION	REVISED	DATE
A	PDR NO:TT60519-11A	Springwu	2016.11.16

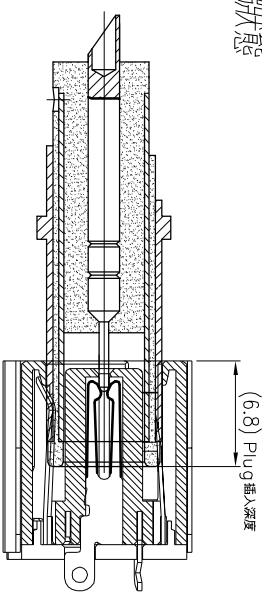
1. 負極彈片接觸狀態



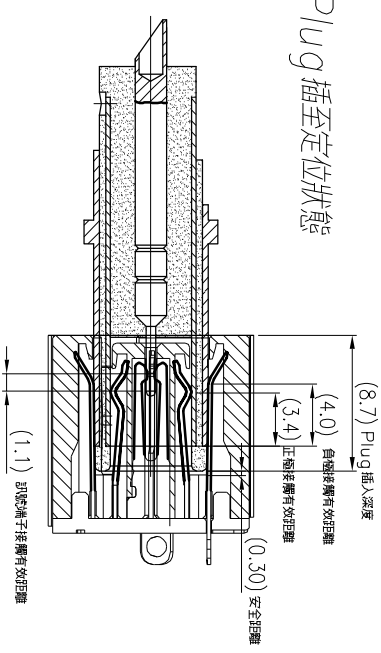
2. 正極接觸狀態




3. 訊號端子接觸狀態



4. Plug 插至定位狀態



NO	DESCRIPTION	QTY	MATERIAL	PLATING & COLOR
UNLESS OTHERWISE SPECIFIED TOLERANCES				
 Singatron Enterprise Co., Ltd. 信音企業股份有限公司				
TITLE: DC POWER JACK				
DWN	Springwu	PART NO.	2DC3089-006114F	
CHKD	Sky	SCALE	4:1	UNIT: mm
APVD	Lussen	SIZE: A3	SHEET: 2 OF 2	REV: A

DECIMALS:	ANGLES:
X :±0.5	X :±2°
X.X :±0.3	X.X :±1°
X.XX :±0.2	

CUSTOMER COPY