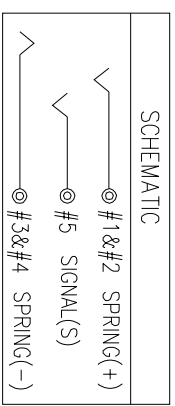
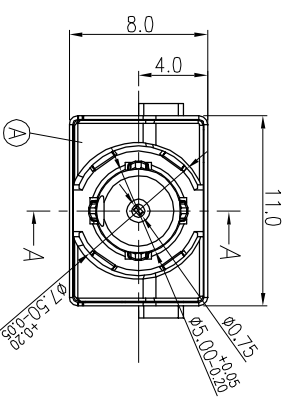
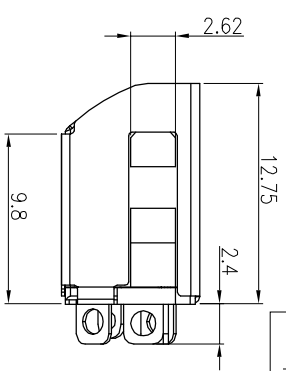
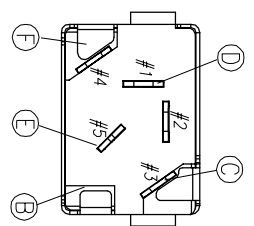
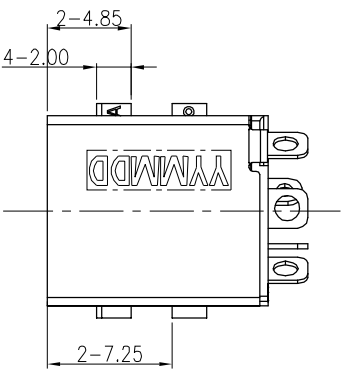
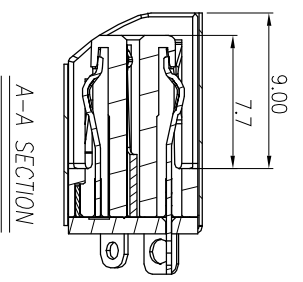
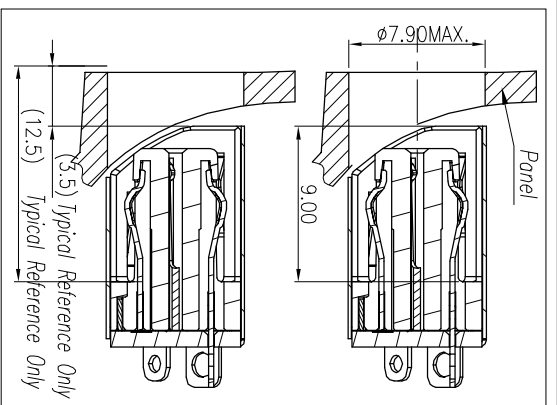
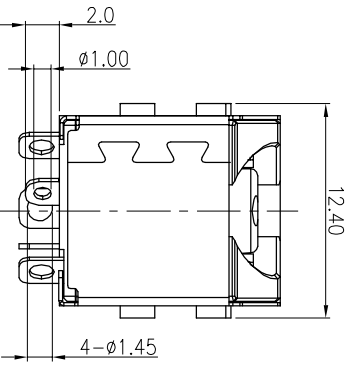
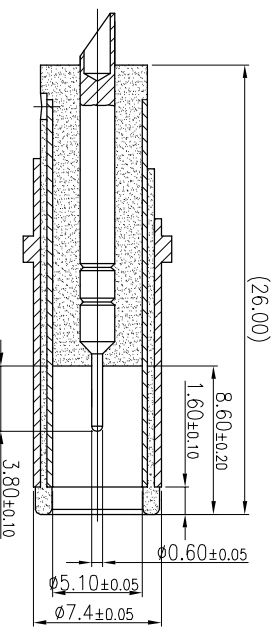


REV	ECN NO	OR DESCRIPTION	REVISED	DATE
A	PDR NO.1161103-11A	Springwu	2017.9.18	

- SPECIFICATIONS:**
- 1. ELECTRICAL CHARACTERISTICS:**
- 1-1. RATING: 20V/10A.
 - 1-2. CONTACT RESISTANCE: 30m Ω MAX. (INITIAL)
 - 1-3. DIELECTRIC WITHSTANDING VOLTAGE: 500V AC FOR ONE MINUTE.
 - 1-4. INSULATION RESISTANCE: 100M Ω MIN. MEASURED BY 500V DC.
- 2. MECHANICAL CHARACTERISTICS:**
- 2-1. INSERTION FORCE: 2.1kgf Max.
 - 2-2. WITHDRAWAL FORCE: 0.7~2.0kgf. (INITIAL)
0.6~2.0kgf (AFTER 5000 LIFE CYCLES);
0.5~2.0kgf (AFTER 15000 LIFE CYCLES);
 - 3. LIFE TEST: 15000 CYCLES MIN.
 - 4. OTHER GENERAL SPEC. TO REFER "2DC3089-009114F SPEC".
 - 5. TO CONFORM TO SINGATRON HAZARDOUS SUBSTANCE FREE SPEC.
 - 6. HALOGEN FREE PRODUCT IDENTIFICATION MARK ON JACK:
 - 7. HALOGEN FREE PRODUCT IDENTIFICATION LABEL ON PACKAGING:
 - 8. FOR HAND SOLDERING LEAD-FREE PROCESS.

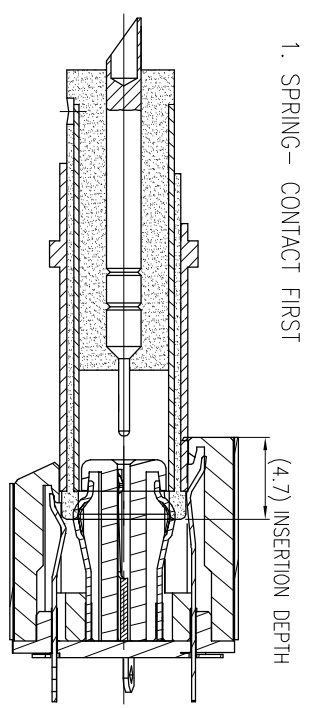


F	SHELL	1	SUS 0.2t	可焊 Ni60u " Min
E	SIGNAL (S)	1	COPPER ALLOY 0.3t	GOLD FLASH ON CONTACT AREA; MATE Sn 120u" ON SOLDER; ALL OVER Ni 50u" .
D	SPRING (+)	1	COPPER ALLOY 0.3t	
C	SPRING (-)	1	COPPER ALLOY 0.25t	
B	COVER	1	THERMOPLASTIC UL94V-0	BLACK
A	BODY	1	THERMOPLASTIC UL94V-0	BLACK
NO	DESCRIPTION	QTY	MATERIAL	PLATING & COLOR
UNLESS OTHERWISE SPECIFIED TOLERANCES				
Singatron Enterprise Co., Ltd. 信音企業股份有限公司				
TITLE: DC POWER JACK				
DWG: Springwu PART NO. 2DC3089-009114F				
CHKD: Sky SCALE: 4:1 UNIT: mm				
APVD: Lussen SIZE: A3 SHEET: 1 OF 2 REV: A				

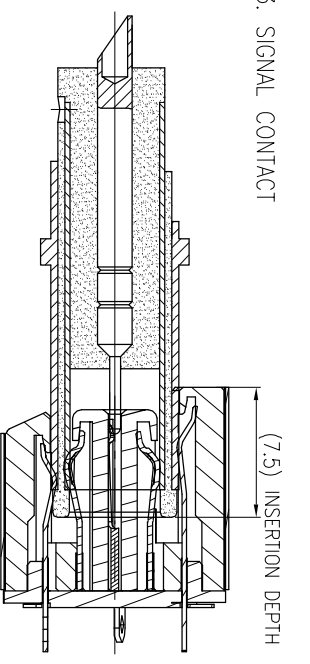


1 2 3 4 5 6 7 8

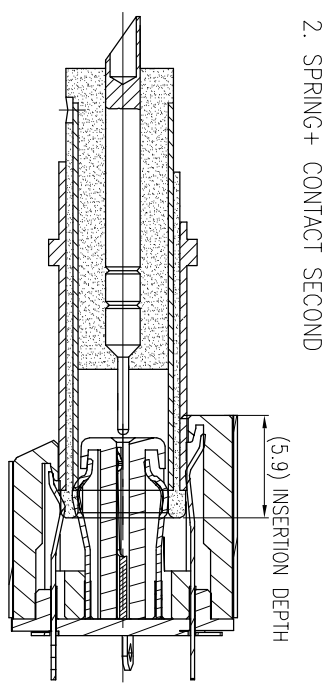
REV	ECN NO. OR DESCRIPTION	REVISED	DATE
A	PDR NO.1161103-1A	Springwu	2017.9.18



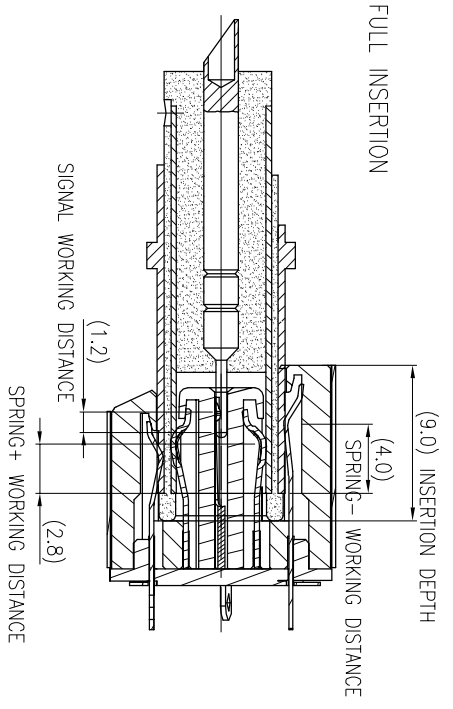
1. SPRING- CONTACT FIRST



3. SIGNAL CONTACT



2. SPRING+ CONTACT SECOND



4. FULL INSERTION

NO	DESCRIPTION	QTY	MATERIAL	PLATING & COLOR
UNLESS OTHERWISE SPECIFIED TOLERANCES				
Singatron Enterprise Co., Ltd. 信音企業股份有限公司				
TITLE: DC POWER JACK				
DWN	Springwu	PART NO.	2DC3089-009114F	
CHKD	Sky	SCALE	4:1	UNIT: mm
APVD	Lussen	SIZE:	A3	SHEET: 2 OF 2
REV: A				

CUSTOMER COPY