

REV.	ECN NO OR DESCRIPTION	REVISED	DATE
A	PDR NO:T180504-3A	Zhijun	2018.07.15

SPECIFICATIONS:

1.ELECTRICAL CHARACTERISTICS:

- 1-1.RATING: 20V 10A
- 1-2.CONTACT RESISTANCE: 30mΩ MAX.(INITIAL)
- 1-3.DIELECTRIC WITHSTANDING VOLTAGE: 500V AC FOR ONE MINUTE.
- 1-4.INSULATION RESISTANCE: 100MΩ MIN. MEASURED BY 500V DC.

2.MECHANICAL CHARACTERISTICS:

- 2-1.INSERTION FORCE: 2.1Kgf Max.
- 2-2.WITHDRAWAL FORCE: Initial: 0.7~2.0Kgf.
After test: 0.6~2.0Kgf(5000 CYCLES), 0.5~2.0Kgf(15000 CYCLES)

3.LIFE TEST: 15000 CYCLES MIN.

4.OTHER GENERAL SPEC. TO REFER "2DC3089-013114F SPEC".

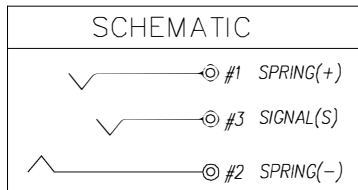
5.TO CONFORM TO SINGATRON HAZARDOUS SUBSTANCE FREE SPEC.

6.HALOGEN FREE PRODUCT IDENTIFICATION MARK ON JACK: 

7.HALOGEN FREE PRODUCT IDENTIFICATION LABEL ON PACKAGING: 

8. FOR HAND SOLDERING LEAD-FREE PROCESS.

9.THE PANEL'S ID MUST BE GREATER THAN THE PLUG'S OD WHICH MUST HAVE A DIFFERENCE OF LESS THAN OR EQUAL TO 0.5 mm.(AS SHOWN IN FIGURE 1.)



A-A SECTION

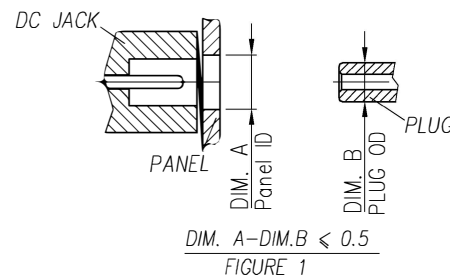
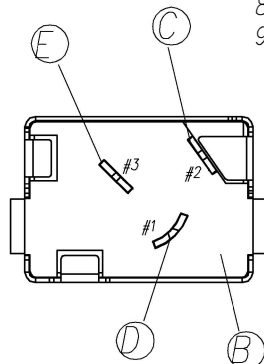
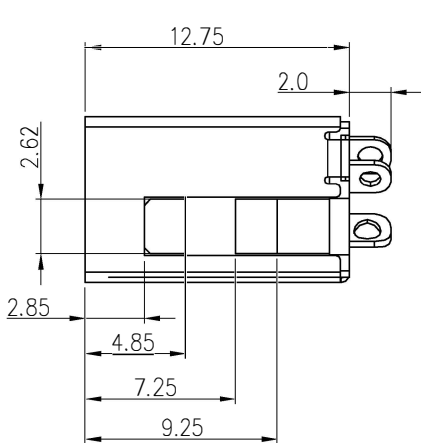
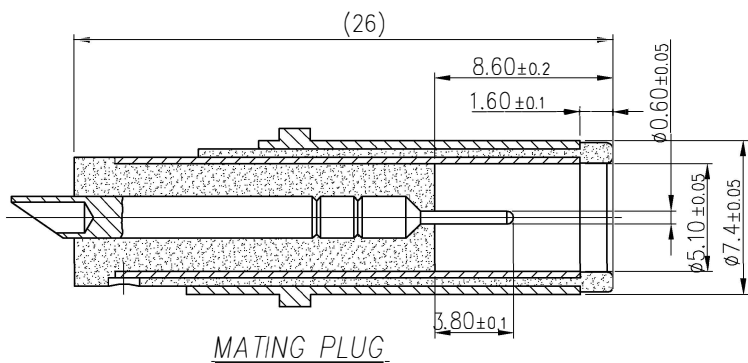
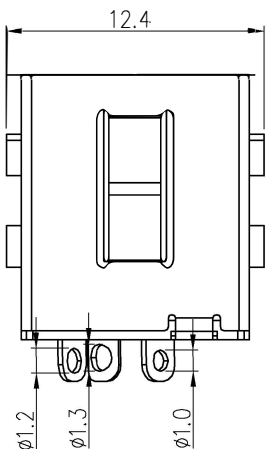
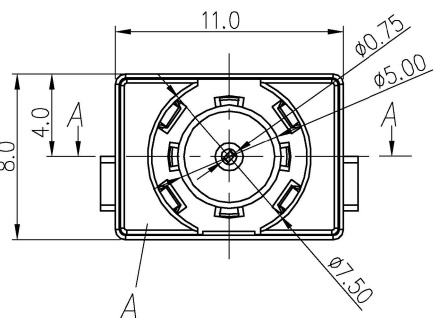




FIGURE 1

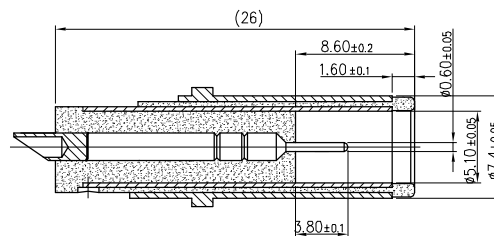
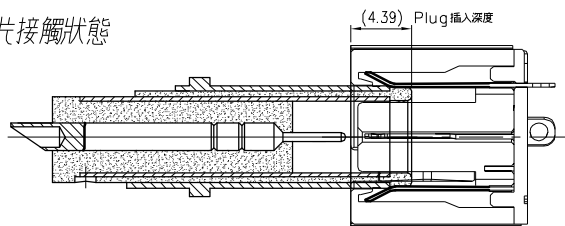


MATING PLUG

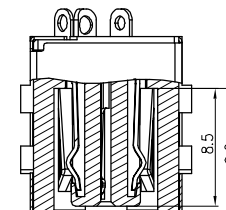
F	SHELL	1	SUS 0.2t	黑線Ni60u" Min
E	SIGNAL (S)	1	COPPER ALLOY 0.3t	GOLD FLASH ON CONTACT AREA; Sn 120u" ON SOLDER TAIL; ALL OVER Ni 50u"
D	SPRING (+)	1	COPPER ALLOY 0.3t	
C	SPRING (-)	1	COPPER ALLOY 0.3t	
B	COVER	1	THERMOPLASTIC UL94V-0	BLACK
A	BODY	1	THERMOPLASTIC UL94V-0	BLACK
NO	DESCRIPTION	QTY	MATERIAL	PLATING & COLOR
UNLESS OTHERWISE SPECIFIED TOLERANCES		 Singatron Enterprise Co., Ltd.  信音企業股份有限公司		
DECIMALS:		TITLE		
X	: ±0.5	DC POWER JACK		
XX	: ±0.3	DWN	Zhijun	PART NO. 2DC3089-013114F
XXX	: ±0.2	CHKD	Sky	SCALE 4:1 UNIT: mm
		APVD	Lussen	SIZE: A3 SHEET: 2 OF 1 REV:A
CUSTOMER COPY				

REV.	ECN NO OR DESCRIPTION	REVISED	DATE
A	PDR NO.T180504-3A	Zhijun	2018.07.15

1. 負極彈片接觸狀態

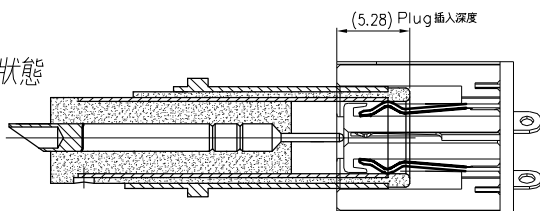


MATING PLUG

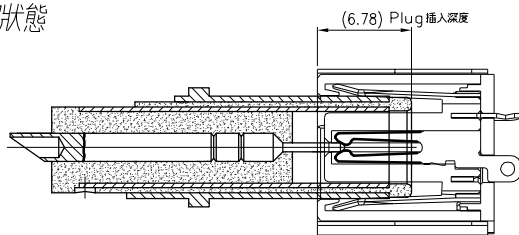


DC POWER JACK

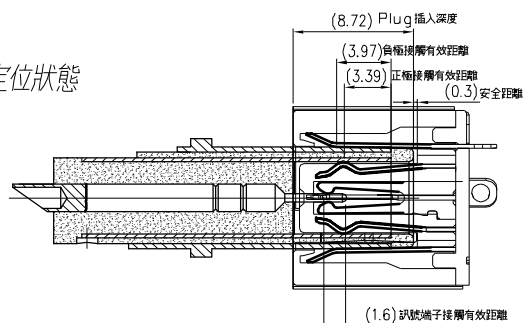
2. 正極接觸狀態



3. 訊號端子接觸狀態



4. Plug 插至定位狀態



NO	DESCRIPTION	QTY	MATERIAL	PLATING & COLOR
UNLESS OTHERWISE SPECIFIED TOLERANCES		Singatron Enterprise Co., Ltd. 信音企業股份有限公司		
DECIMALS:		TITLE		
X : ±0.5	ANGLES:	DWN	Zhijun	DC POWER JACK (MATING)
X.X : ±0.3	X : ±2°	CHKD	Sky	PART NO. 2DC3089-013114F
X.XX : ±0.2	X.X : ±1°	APVD	Lussen	SCALE 4:1 UNIT: mm
		SIZE: A3		SHEET: 2 OF 2
		REV: A		
CUSTOMER COPY				