

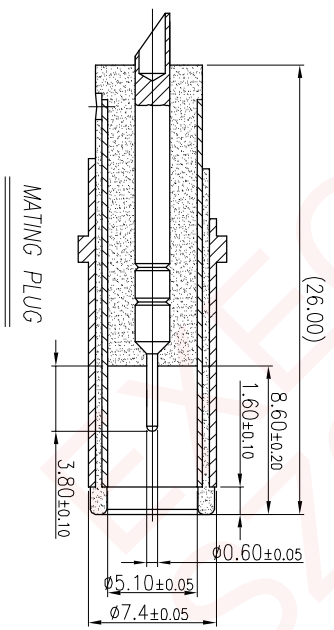
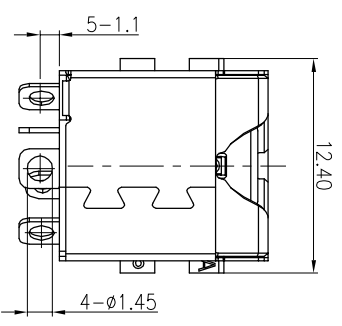
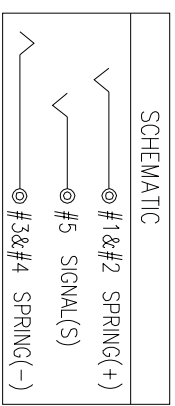
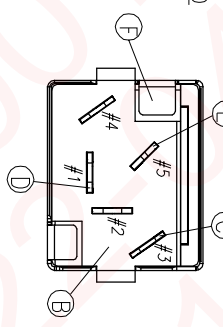
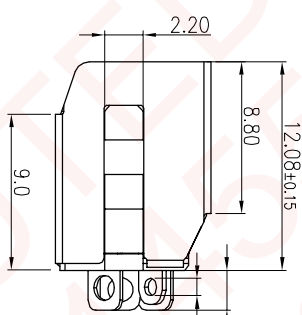
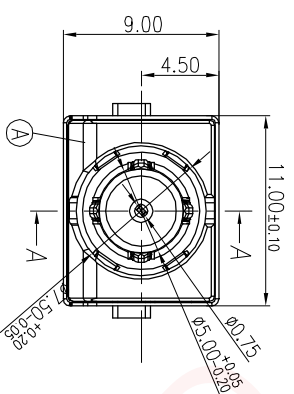
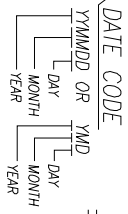
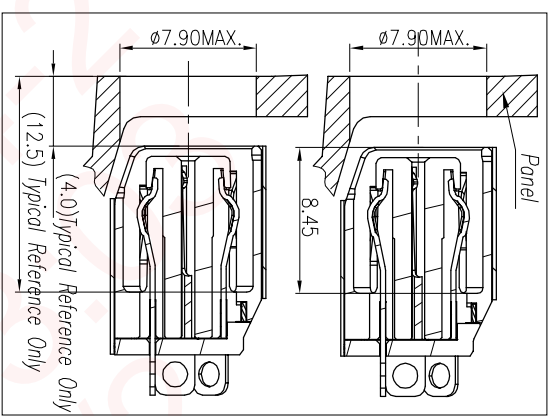


| REV | ECN NO | OR DESCRIPTION | REVISED | DATE |
|-----|-------------------|----------------|------------|------|
| A | PDR NO.1190528-2A | Springwu | 2020.10.26 | |

- SPECIFICATIONS:**
- 1. ELECTRICAL CHARACTERISTICS:**
- 1-1. RATING: 20V/13A.
 - 1-2. CONTACT RESISTANCE: 30m Ω MAX. (INITIAL)
 - 1-3. DIELECTRIC WITHSTANDING VOLTAGE: 500V AC FOR ONE MINUTE.
 - 1-4. INSULATION RESISTANCE: 100M Ω MIN. MEASURED BY 500V DC.
- 2. MECHANICAL CHARACTERISTICS:**
- 2-1. INSERTION FORCE: 2.5kgf Max.
 - 2-2. WITHDRAWAL FORCE: 0.7kgf Min. (INITIAL)
0.6kgf Min. (AFTER 5000 LIFE CYCLES);
- 3. LIFE TEST: 5000 CYCLES MIN.**
- 4. OTHER GENERAL SPEC. TO REFER "2DC3089-014114F SPEC".**
- 5. TO CONFORM TO SINGATRON HAZARDOUS SUBSTANCE FREE SPEC.**
- 6. HALOGEN FREE PRODUCT IDENTIFICATION MARK ON JACK: **
- 7. HALOGEN FREE PRODUCT IDENTIFICATION LABEL ON PACKAGING: **
- 8. FOR HAND SOLDERING LEAD-FREE PROCESS.**



| | | | | |
|---|-------|---|----------|-----|
| F | SHELL | 1 | SUS 0.2t | N/A |
|---|-------|---|----------|-----|

| | | | | |
|---|------------|---|-------------------|---|
| E | SIGNAL (S) | 1 | COPPER ALLOY 0.3t | GOLD FLASH ON CONTACT AREA, MATE Sn 120" ON SOLDER, ALL OVER Ni 300". |
|---|------------|---|-------------------|---|

| | | | | |
|---|------------|---|-------------------|--|
| D | SPRING (+) | 1 | COPPER ALLOY 0.3t | |
|---|------------|---|-------------------|--|

| | | | | |
|---|------------|---|--------------------|--|
| C | SPRING (-) | 1 | COPPER ALLOY 0.25t | |
|---|------------|---|--------------------|--|

| | | | | |
|---|-------|---|--------------------------|-------|
| B | COVER | 1 | THERMOPLASTIC UL94V-0 | BLACK |
|---|-------|---|--------------------------|-------|

| | | | | |
|---|------|---|--------------------------|-------|
| A | BODY | 1 | THERMOPLASTIC UL94V-0 | BLACK |
|---|------|---|--------------------------|-------|

UNLESS OTHERWISE SPECIFIED TOLERANCES

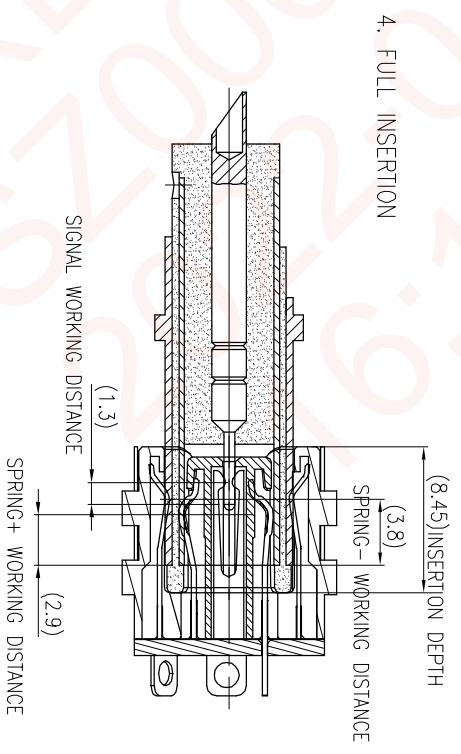
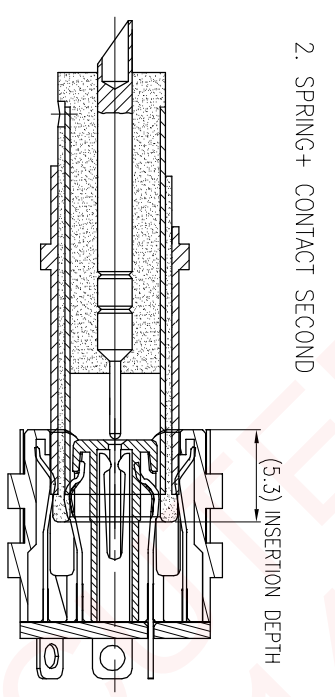
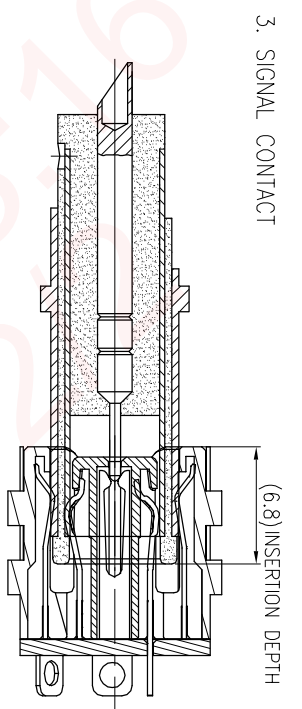
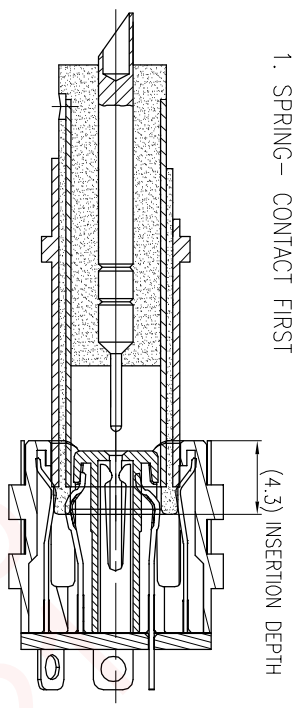
 Singatron Enterprise Co., Ltd.
信音企業股份有限公司

| TITLE | DC POWER JACK |
|-------|---------------|
| DWM | Springwu |
| CHKD | Sky |
| APVD | Lussen |

| | | | |
|-------------|-----------|----------|-----------------|
| DECIMALS: | ANGLES: | PART NO. | 2DC3089-014114F |
| X : ±0.5 | X : ±2' | SCALE | 4:1 |
| X.X : ±0.3 | X.X : ±1' | UNIT: | mm |
| X.XX : ±0.2 | | SHEET: | 1 OF 2 |

CUSTOMER COPY

| REV | ECN NO. OR DESCRIPTION | REVISED | DATE |
|-----|------------------------|----------|------------|
| A | PDR NO.1190528-2A | Springwu | 2020.10.26 |



| NO | DESCRIPTION | QTY | MATERIAL | PLATING & COLOR |
|--|-------------|----------|-----------------|-----------------|
| UNLESS OTHERWISE SPECIFIED TOLERANCES | | | | |
|  Singatron Enterprise Co., Ltd. 信音企業股份有限公司 | | | | |
| TITLE: DC POWER JACK | | | | |
| DWN | Springwu | PART NO. | 2DC3089-014114F | |
| CHKD | Sky | SCALE | 4:1 | UNIT: mm |
| APVD | Lussen | SIZE: A3 | SHEET: 2 OF 2 | REV: A |

| DECIMALS: | ANGLES: |
|------------|----------|
| X :±0.5 | X :±2° |
| X.X :±0.3 | X.X :±1° |
| X.XX :±0.2 | |

