

Function test mark : visible
 $\phi 0.4\text{MAX}$, Depth 0.35MAX

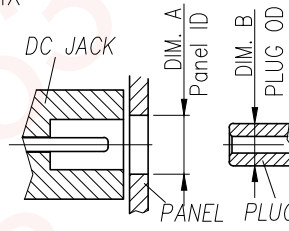
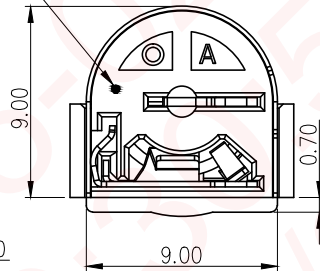
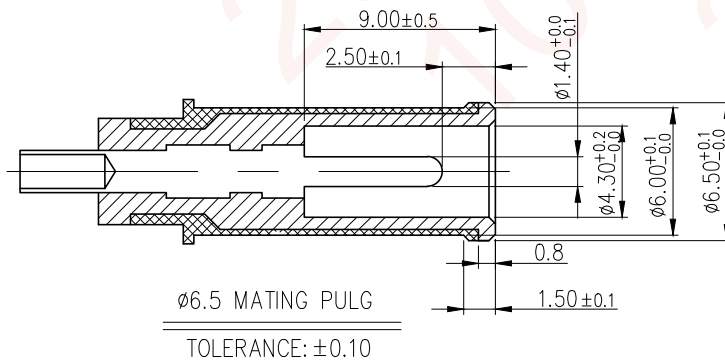
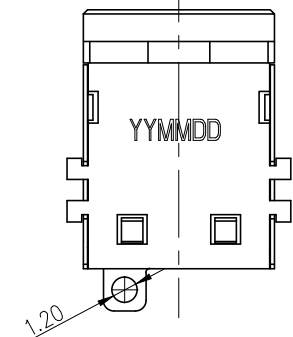
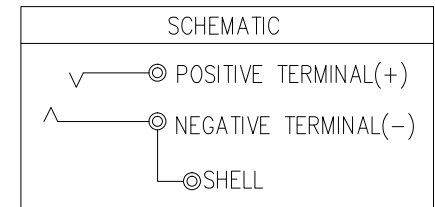


FIGURE 1



REV.	ECN NO OR DESCRIPTION	REVISED	DATE
A	PDR No.: T121115-4A	QIANG	2013.06.26
B	ECN NO: S130914	SEAN	2014.01.06
C	ECN NO: S141264	Ken	2014.12.31

SPECIFICATIONS:

1.ELECTRICAL CHARACTERISTICS:

- 1-1.RATING:DC 20V 6A MAX.
- 1-2.CONTACT RESISTANCE: 30mΩ MAX.(INITIAL)
- 1-3.DIELECTRIC WITHSTANDING VOLTAGE: 500V AC FOR ONE MINUTE.
- 1-4.INSULATION RESISTANCE: 100MΩ MIN. MEASURED BY 500V DC.

2.MECHANICAL CHARACTERISTICS:

- 2-1.INSERTION FORCE: 1.0Kgf~2.0Kgf.
- 2-2.WITHDRAWAL FORCE: 1.5Kgf~2.5Kgf(INITIAL),
1.0Kgf~2.5Kgf(AFTER LIFE TEST)

3.LIFE TEST: 5000 CYCLES MIN.

4.OTHER GENERAL SPEC. TO REFER "2DC3101-000111F SERIES SPEC".

5.TO CONFORM TO SINGATRON HAZARDOUS SUBSTANCE FREE SPEC.

6.HALOGEN FREE PRODUCT IDENTIFICATION MARK ON JACK:

7.HALOGEN FREE PRODUCT IDENTIFICATION LABEL ON PACKAGING:

8.THE PANEL'S ID MUST BE GREATER THAN THE PLUG'S OD WHICH MUST HAVE A DIFFERENCE OF LESS THAN OR EQUAL TO 0.5 mm.(AS SHOWN IN FIGURE 1.)

NO	DESCRIPTION	QTY	MATERIAL	PLATING & COLOR
D	SHELL	1	STAINLESS STEEL 0.2T	Ni 60u"
C	NEGATIVE TERMINAL(-)	1	COPPER ALLOY 0.25T	Au 5u"Min ON CONTACT AREA; 100u"MATTE SN AT SOLDER AREA. ALL OVER Ni 50u" Min.
B	POSITIVE TERMINAL(+)	1	COPPER ALLOY 0.40T	
A	BODY	1	THERMOPLASTIC UL 94V-0	BLACK

UNLESS OTHERWISE SPECIFIED TOLERANCES

Singatron Enterprise Co., Ltd.
 信音企業股份有限公司

DECIMALS: X :±0.5
 X.X :±0.3
 X.XX :±0.2

ANGLES: X :±2°
 X.X :±1°

TITLE	DC POWER JACK		
DWN	Ken	PART NO. 2DC3101-000111F	
CHKD	cerry	SCALE: 1:1	UNI: mm
APVD	liao	SIZE: A3	SHEET: 1 OF 1 REV: C

CUSTOMER COPY