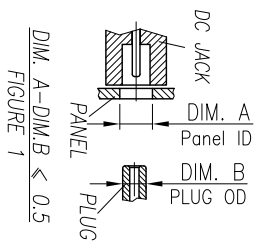
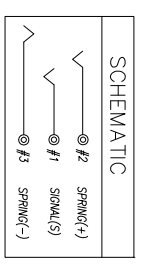
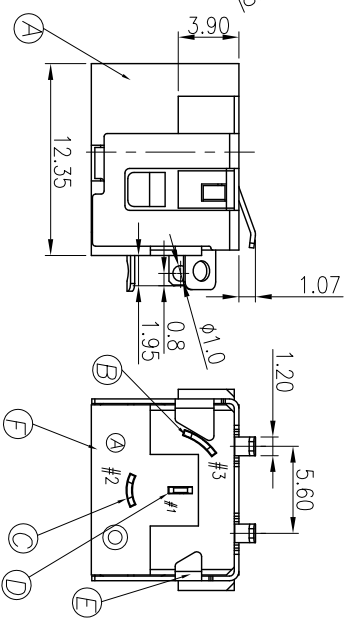
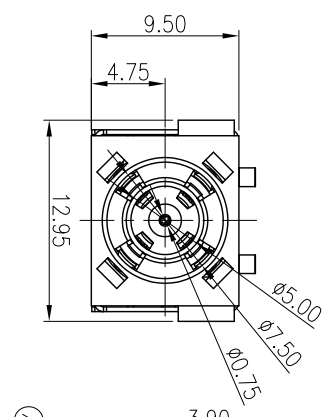
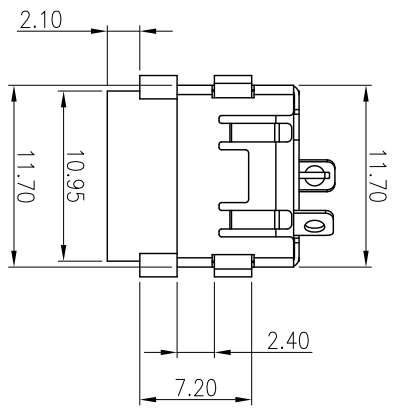
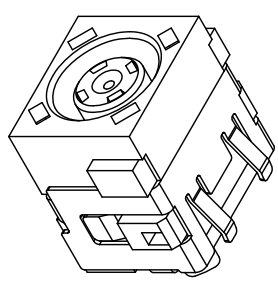
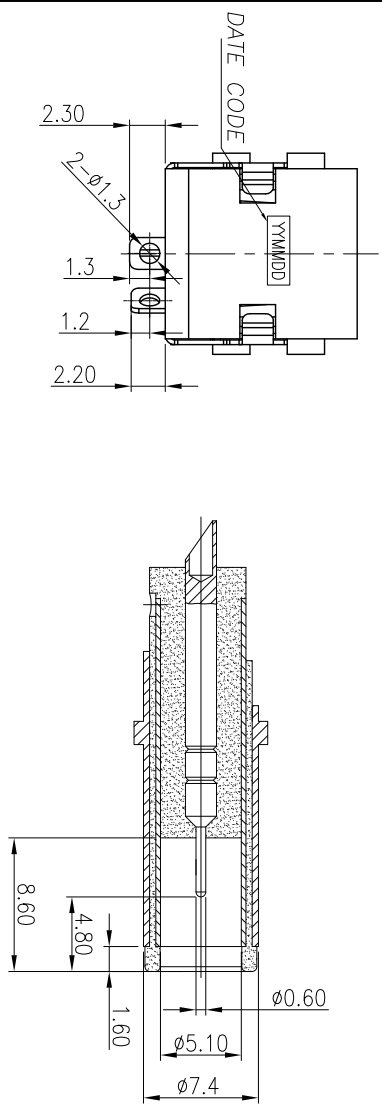


REV	EGN NO	OR DESCRIPTION	REVISED	DATE
A	PDR	NO.S130129-4A	Ron	2013.06.27



- SPECIFICATIONS:**
- ELECTRICAL CHARACTERISTICS:**
 - RATING: 20V 10A
 - CONTACT RESISTANCE: 30m Ω MAX (INITIAL)
 - DIELECTRIC WITHSTANDING VOLTAGE: 150V AC FOR ONE MINUTE.
 - INSULATION RESISTANCE: 100M Ω MIN. MEASURED BY 500 VDC.
 - MECHANICAL CHARACTERISTICS:**
 - INSERTION FORCE : 3.0 KGf MAX
 - WITHDRAWAL FORCE : 0.35 KGf MIN
 - LIFE TEST: 5,000 CYCLES MIN.
 - OTHER GENERAL SPEC. TO REFER "2DC3105-000111F SPEC".
 - TO CONFORM TO SINGATRON HAZARDOUS SUBSTANCE FREE SPEC.
 - HALOGEN FREE PRODUCT IDENTIFICATION MARK ON JACK: ☉
 - HALOGEN FREE PRODUCT IDENTIFICATION LABEL ON PACKAGING: ♻️
 - FOR REFLOW SOLDERING LEAD-FREE PROCESS.
 - THE PANEL'S ID MUST BE GREATER THAN THE PLUG'S OD WHICH MUST HAVE A DIFFERENCE OF LESS THAN OR EQUAL TO 0.5 mm.(AS SHOWN IN FIGURE 1.)



MATING PLUG
Tolerance: ±0.05

NO	DESCRIPTION	QTY	MATERIAL	PLATING & COLOR
F	COVER	1	THERMOPLASTIC UL 94V-0	BLACK
E	SHELL	1	COPPER ALLOY 0.3T	Ni: 60u" Min
D	SIGNAL(S)	1	COPPER ALLOY 0.4T	GOLD FLASH ON CONTACT AREA; BRIGHT Tin 120u" Min ON SOLDER TAL AREA: ALL OVER Ni: 50u" Min
C	SPRING(+)	1	COPPER ALLOY 0.3T	
B	SPRING(-)	1	COPPER ALLOY 0.3T	
A	BODY	1	THERMOPLASTIC UL 94V-0	BLACK

UNLESS OTHERWISE SPECIFIED TOLERANCES

Singatron Enterprise Co., Ltd.
信通企業股份有限公司

DECIMALS:	ANGLES:
X : ±0.5	X : ±2°
X.X : ±0.3	X.X : ±1°
X.XX : ±0.2	

TITLE	DC POWER JACK
DMW	Ron
CHKD	Sky
APVD	Lussen
PART NO.	2DC3105-000111F
SCALE	4:1
UNIT:	mm
SIZE:	A3
SHEET:	1 OF 1
REV:	A

CUSTOMER COPY