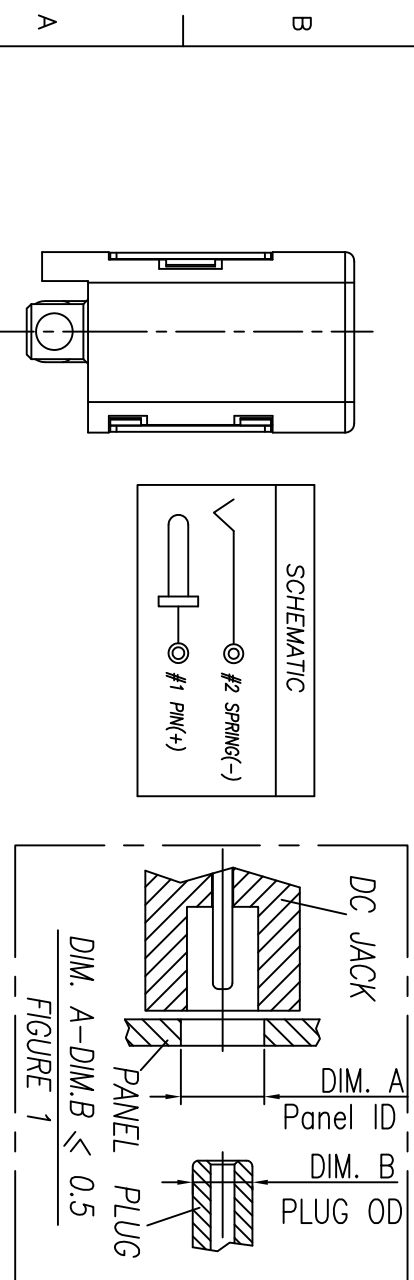


MATING PLUG(2DP1521-000111F)



NO	DESCRIPTION	QTY	MATERIAL	PLATING & COLOR
C	GROUND	1	COPPER ALLOY 0.20T	GOLD FLASH OVER IN 50u"
B	SPRING(-)	1	COPPER ALLOY 0.20T	GOLD FLASH OVER IN 50u"
A	INSERT MOLDING	1	PIN: COPPER ALLOY BODY: THERMOPLASTIC UL94V-0	GOLD FLASH OVER IN 50u" BLACK

UNLESS OTHERWISE SPECIFIED TOLERANCES

DECIMALS: ANGLES:

X ±0.5 X ±2°
X.X ±0.3 X.X ±1°
X.XX ±0.2

DC POWER JACK

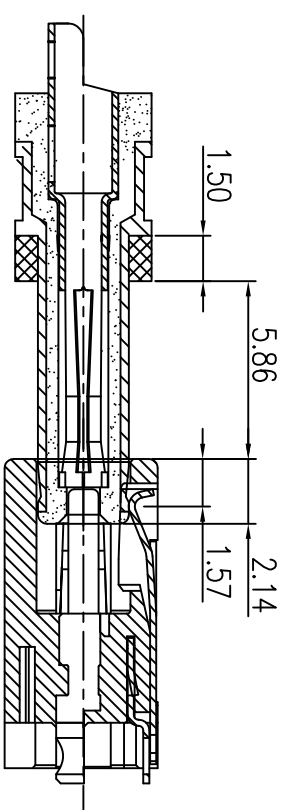
DWN YUREN PART NO. 2DC3108-001111F
CHKD CERRY SCALE 1:1 UNIT: mm
APVD MAX SIZE: A3 SHEET: 10F2 REV: B

Singatron Enterprise Co., Ltd.
信音企業股份有限公司

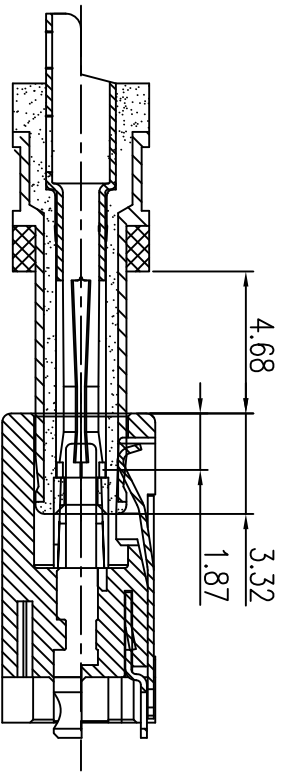
REV	ECN NO OR DESCRIPTION	REVISED	DATE
A	PDR NO.S130508-3A	Smile	2013.08.22
B	ECN NO.S140339	YUREN	2014.06.11

- SPECIFICATIONS:
- 1.ELECTRICAL CHARACTERISTICS:
- 1-1.RATING: DC 20V 5A
 - 1-2.CONTACT RESISTANCE:30mΩ MAX.(INITIAL)
 - 1-3.DIELECTRIC WITHSTANDING VOLTAGE:500V AC FOR ONE MINUTE.
 - 1-4.INSULATION RESISTANCE:100MΩ MIN. MEASURED BY 500V DC.
- 2.MATING FORCE & UNMATING FORCE:
- 1-1.INSERTION FORCE: 3.0kgf MAX.(INITIAL).
 - 1-2.WITHDRAWAL FORCE: 1.0~3.0kgf(INITIAL); 0.3kgf~3.0kgf (AFTER LIFE TEST).
- 3.LIFE TEST: 10,000 CYCLES.
- 4.OTHER GENERAL SPEC. TO REFER "20C3108 SERIES SPEC".
- 5.TO CONFORM TO SINGATRON HAZARDOUS SUBSTANCE FREE SPEC.
- 6.HALOGEN FREE PRODUCT IDENTIFICATION MARK ON PRODUCT:
- 7.HALOGEN FREE PRODUCT IDENTIFICATION LOGO ON PACKAGING:
- 8.PACKAGING: BAG.
- 9.FOR HAND SOLDERING LEAD-FREE PROCESS.

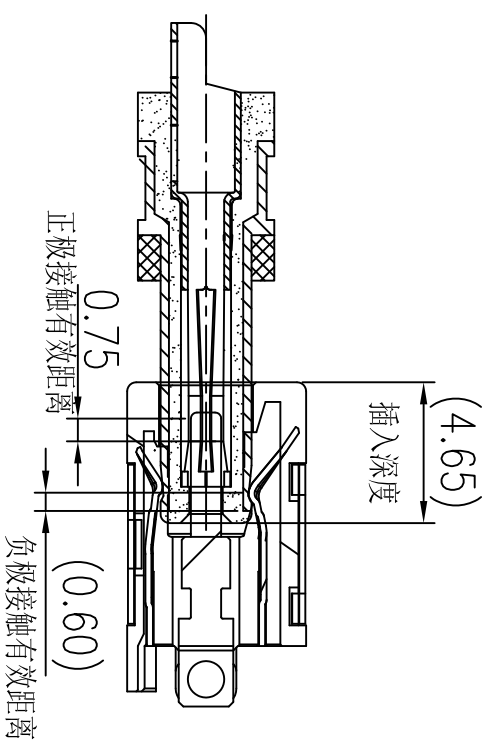
REV.	ECN NO OR DESCRIPTION	REVISED	DATE
A	PDR NO.S130508-3A	Smile	2013.08.22
B	ECN NO.S140339	YUREN	2014.06.11



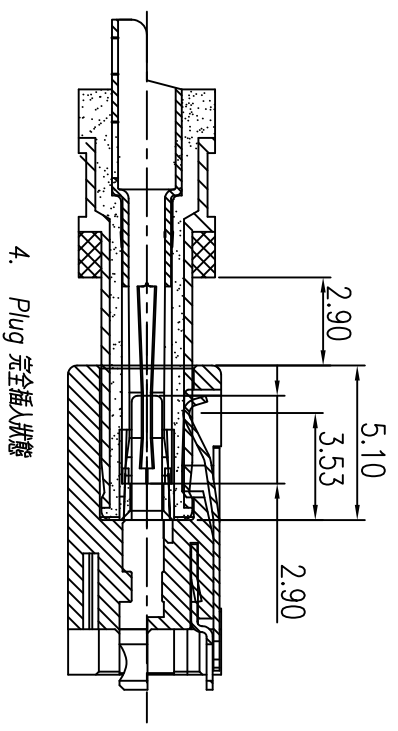
1. GROUND PIN(-) CONTACT



2. POWER PIN(+) CONTACT



3. Lock 狀態



4. Plug 完全插入狀態

NO	DESCRIPTION	QTY	MATERIAL	PLATING & COLOR
UNLESS OTHERWISE SPECIFIED TOLERANCES				
DECIMALS:	ANGLES:			
X : ±0.5	X : ±2°			
X.X : ±0.3	X.X : ±1°			
X.XX : ±0.2				
TITLE	DC POWER JACK			
DWN YUREN	PART NO. 2DC3108-001111F			
CHKD CERRY	SCALE 1:1 UNIT: mm			
APVD MAX	SIZE: A3 SHEET: 20F2			
REV: B				
CUSTOMER COPY				

Singatron Enterprise Co., Ltd.
信音企業股份有限公司