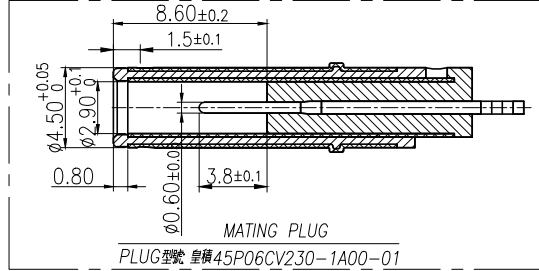
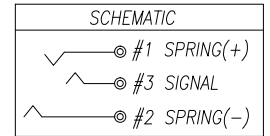


REV.	ECN NO OR DESCRIPTION	REVISED	DATE
A	PDR NO. T230325-2A	Can	2023.11.25

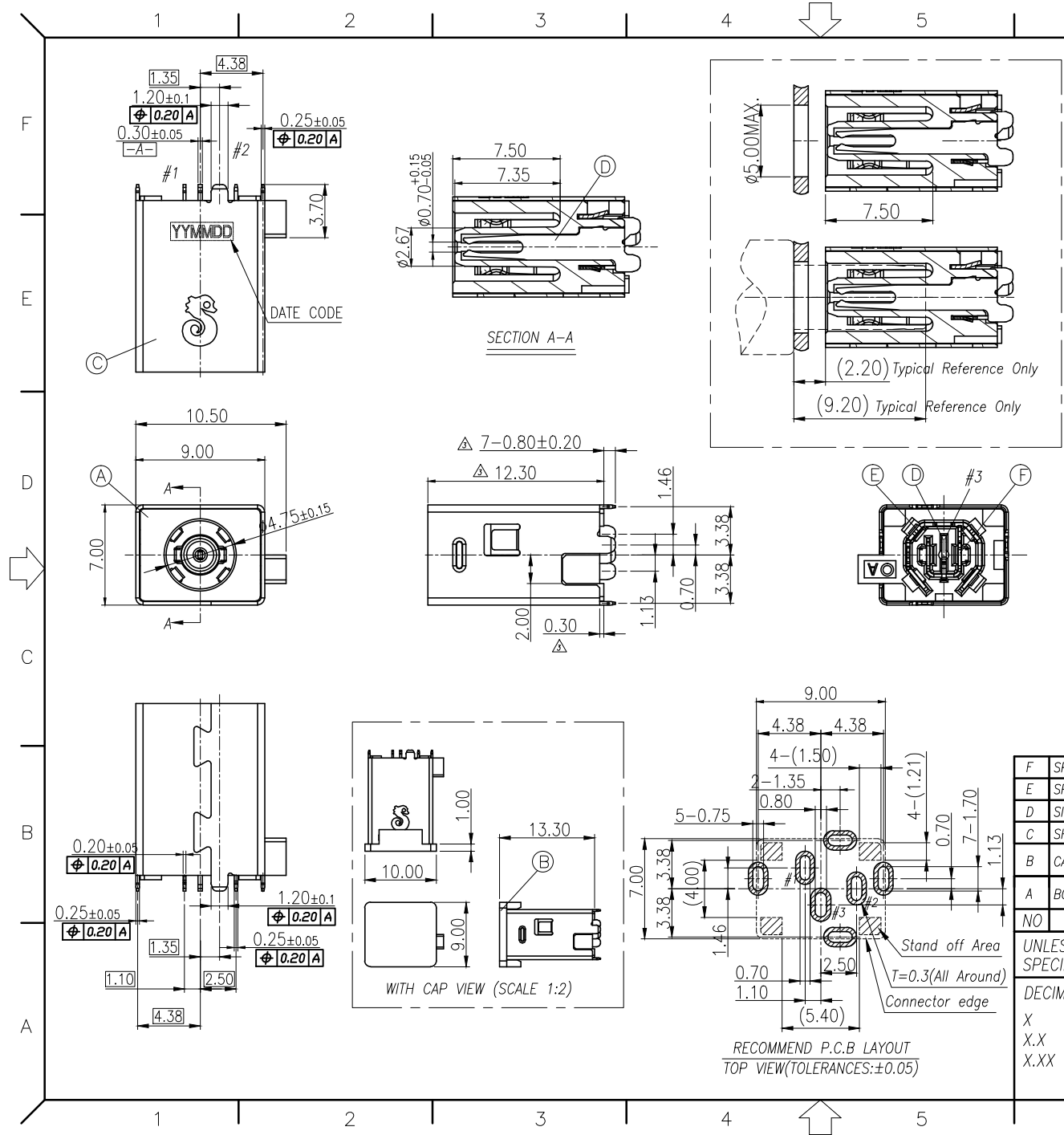
- SPECIFICATIONS:
- ELECTRICAL CHARACTERISTICS:
 - CURRENT RATING: 20V/4A.
 - CONTACT RESISTANCE: 30mΩ MAX.(AFTER LIFE TEST)
 - DIELECTRIC WITHSTANDING VOLTAGE: 500V AC FOR 1 MINUTE.
 - INSULATION RESISTANCE: 100MΩ MIN. BY 500V DC.
 - MECHANICAL CHARACTERISTICS:
 - INSERTION FORCE: 2.5KGF MAX.
 - WITHDRAWAL FORCE: 1.0~2.5KGF(INITIAL);0.6~2.5KGF(AFTER LIFE TEST).
 - TEMPERATURE RISE CAN'T EXCEE 30 C.
 - LIFE TEST: 5,000 CYCLES.
 - WEIGHT: 1.8g.
 - TO CONFORM TO THE SINGATRON HAZARDOUS SUBSTANCE FREE SPEC.
 - HALOGEN FREE PRODUCT IDENTIFICATION MARK ON JACK: ©
 - HALOGEN FREE PRODUCT IDENTIFICATION LABEL ON PACKAGING: ©
 - FOR REFLOW SOLDERING LEAD-FREE PROCESS.
 - PRINTED DATE CODE" YYMMDD" ON TOP OF CONNECTOR.



NO	DESCRIPTION	QTY	MATERIAL	PLATING & COLOR
F	SPRING(+)	1	PHOSPHOR BRONZE 0.20T	Gold Flash On Contact Area.
E	SPRING(-)	1	COPPER ALLOY 0.25T	Matte Sn 120u"Min On Solder Tail.
D	SIGNAL	1	PHOSPHOR BRONZE 0.30T	All Over Ni 50u"Min.
C	SHELL	1	STAINLESS STEEL 0.25T	Ni 60u"Min.
B	CAP	1	PA6T (HALOGEN FREE)UL 94V-0	BLACK
A	BODY	1	LCP (HALOGEN FREE)UL 94V-0	BLACK

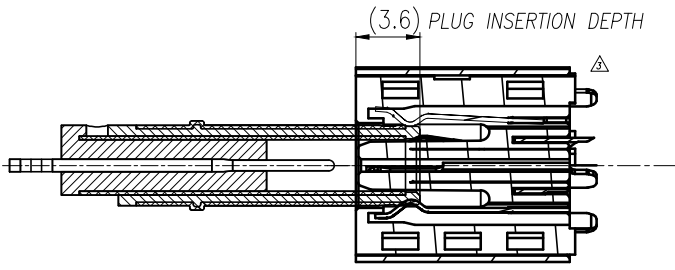
UNLESS OTHERWISE SPECIFIED TOLERANCES		SINGATRON ENTERPRISE CO., LTD. 信音企業股份有限公司	
DECIMALS:	ANGLES:	TITLE: DC POWER JACK	
X :±0.5	X :±2°	DWN	Can
X.X :±0.3	X.X :±1°	CHKD	PART NO. 2DC3115-007111F
X.XX :±0.2		APVD	SCALE 4:1 UNIT: mm
			SIZE: A3 SHEET:1 OF 2
			REV:A

CUSTOMER COPY

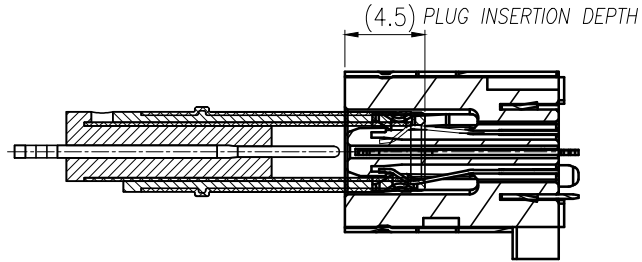


REV.	ECN NO OR DESCRIPTION	REVISED	DATE
A	PDR NO. T230325-2A	Can	2023.11.25

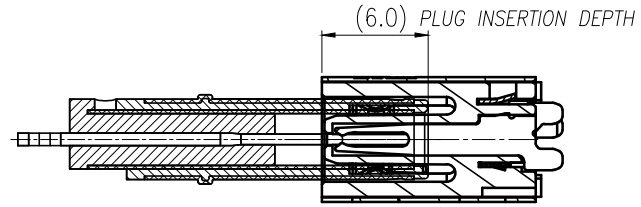
1. NEGATIVE CONTACT FIRST



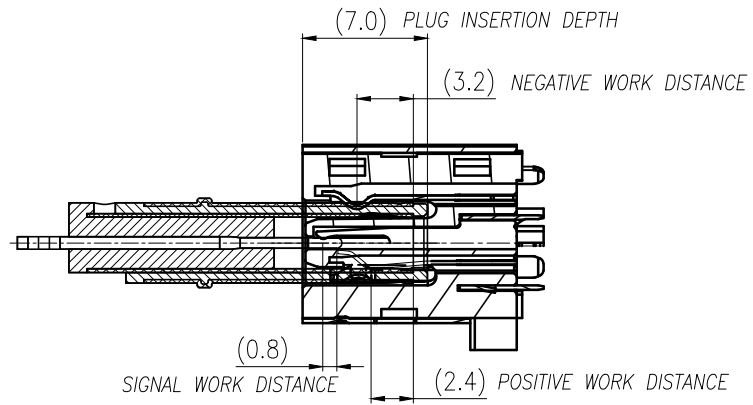
2. POSITIVE CONTACT



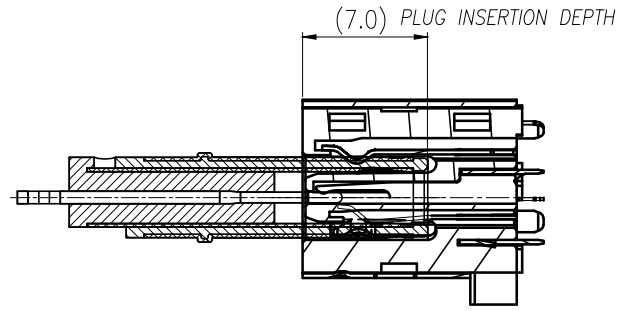
3. SIGNAL CONTACT




4. FULL INSERTION



5. FULL INSERTION



NO	DESCRIPTION	QTY	MATERIAL	PLATING & COLOR
UNLESS OTHERWISE SPECIFIED TOLERANCES		 Singatron Enterprise Co., Ltd. 信音企業股份有限公司		
DECIMALS:	ANGLES:	TITLE	DC POWER JACK	
X :±0.5	X :±2°	DWN	Can	PART NO. 2DC3115-007111F
X.X :±0.3	X.X :±1°	CHKD	SCALE 4:1	UNIT: mm
X.XX :±0.2		APVD	SIZE: A3	SHEET: 2 OF 2
REV:A				
CUSTOMER COPY				