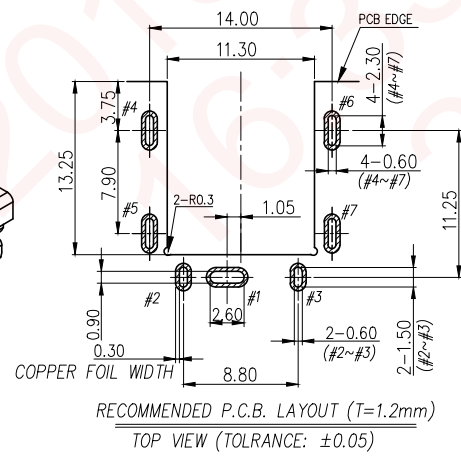
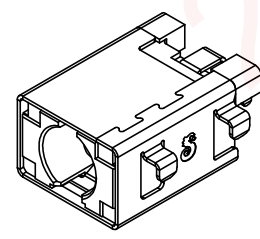
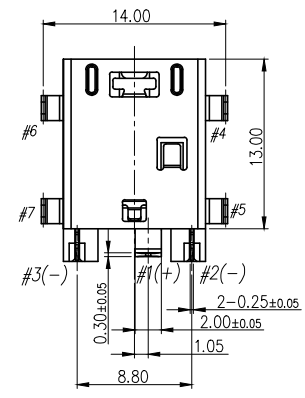
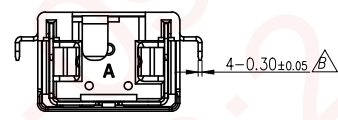
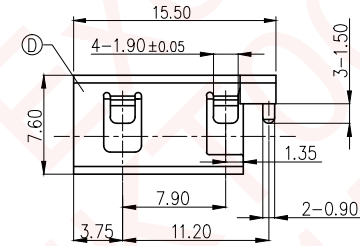
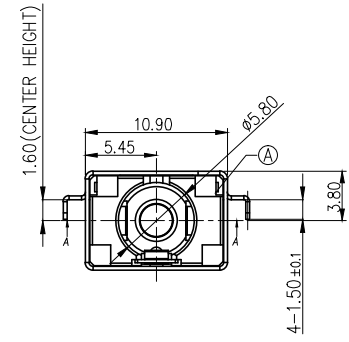
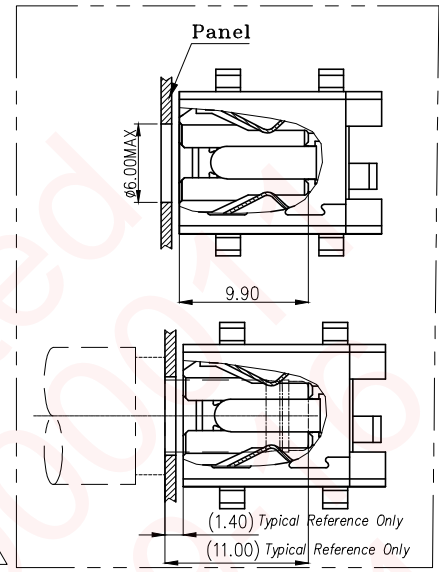
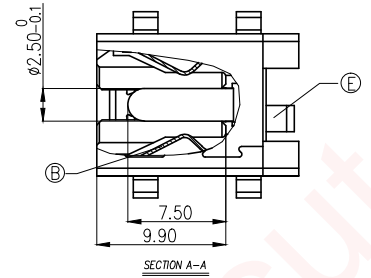
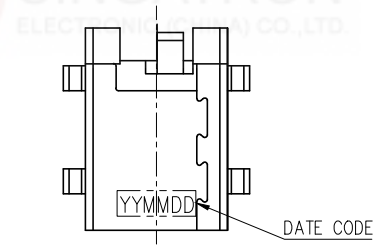
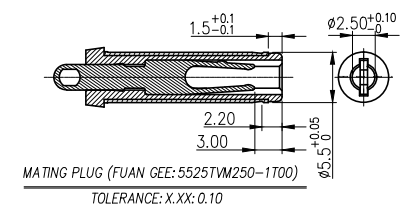
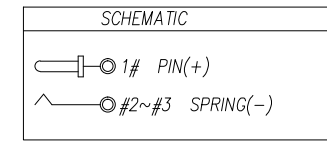


REV.	ECN NO OR DESCRIPTION	REVISED	DATE
A	PDR NO.T131114-2A	Allen	2015.04.29
B	ECN NO.S150747-C	YUREN	2015.09.11

- SPECIFICATIONS:
- ELECTRICAL CHARACTERISTICS:
 - 1-1. RATING: 20V 10A
 - 1-2. CONTACT RESISTANCE: 15mΩ MAX.
 - 1-3. DIELECTRIC WITHSTANDING VOLTAGE: 500V AC FOR ONE MINUTE.
 - 1-4. INSULATION RESISTANCE: 100MΩ MIN. MEASURED BY 500 VDC
 - MECHANICAL CHARACTERISTICS:
 - 2-1. INSERTION FORCE : 3.0kgfMAX(INITIAL AND AFTER LIFE TEST).
 - 2-2. WITHDRAWAL FORCE : 0.8~2.0kgf(INITIAL AND AFTER LIFE TEST).
 - TEMPERATURE RISE CAN'T EXCEE 30°C
 - LIFE TEST: 8,000 CYCLES MIN.
 - WEIGHT : 2.376g
 - TO CONFORM TO SINGATRON HAZARDOUS SUBSTANCE FREE SPEC.
 - HALOGEN FREE PRODUCT IDENTIFICATION MARK ON JACK:
 - HALOGEN FREE PRODUCT IDENTIFICATION LABEL ON PACKAGING:
 - FOR REFLOW SOLDERING LEAD FREE PROCESS.
 - PRINTED DATE CODE "YYMMDD" ON TOP OF CONNECTOR.

DD: DAY
MM: MONTH
YY: YEAR

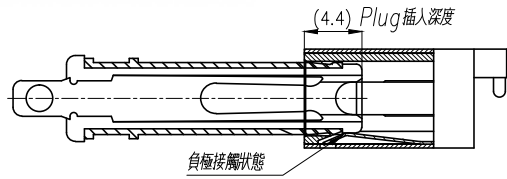


NO	DESCRIPTION	QTY	MATERIAL	PLATING & COLOR
E	TERMINAL	1	BRASS (C2680)	Gold flash over Ni 60u"
D	SHELL	1	STAINLESS STEEL(SUS304)	Ni 60u"
C	PIN	1	BRASS BAR(HBI59-1.5B)	Gold flash over Ni 60u"
B	SPRING-	1	PHOSPHOR BRONZE(C5210)	Sn 120u" OVER Ni 60u"
A	BODY	1	(PA6T) UL94V-0	BLACK

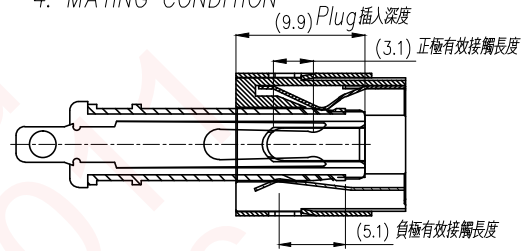
UNLESS OTHERWISE SPECIFIED TOLERANCES	Singatron Enterprise Co., Ltd. 信音企業股份有限公司			
DECIMALS:	TITLE DC POWER JACK			
ANGLES:	DWN YUREN PART NO. 2DC3118-000111F			
X : ±0.5	X : ±2°	CHKD CERRY SCALE 1:1	UNIT: mm	
X.X : ±0.3	X.X : ±1°	APVD LIAO SIZE: A3	SHEET: 10F2	
X.XX : ±0.2		REV: B		
CUSTOMER COPY				

REV.	ECN NO OR DESCRIPTION	REVISED	DATE
A	PDR NO.T131114-2A	Allen	2015.04.29
B	ECN NO.S150747-C	YUREN	2015.09.11

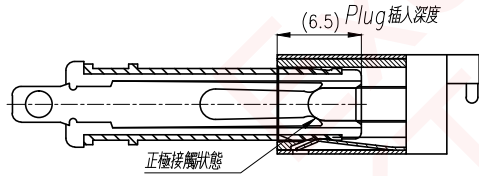
1. SPRING(-) CONTACT



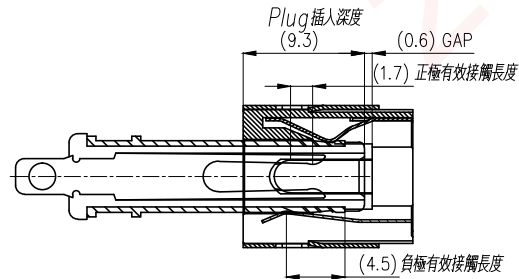
4. MATING CONDITION



2. PIN(+) CONTACT



3. LOCK POSITION



UNLESS OTHERWISE SPECIFIED TOLERANCES

DECIMALS: ANGLES:
 X :±0.5 X :±2°
 X.X :±0.3 X.X :±1°
 X.XX :±0.2



Singatron Enterprise Co., Ltd.
 信音企業股份有限公司

TITLE	DC POWER JACK_Mating Drawing		
DWN	YUREN	PART NO.2DC3118-000111F	
CHKD	CERRY	SCALE: 4:1	UNIT: mm
APVD	LIAO	SIZE: A3	SHEET: 20F2
		REV: B	
CUSTOMER COPY			