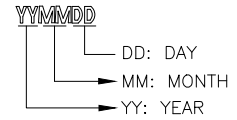


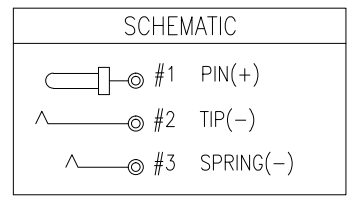
REV.	ECN NO OR DESCRIPTION	REVISED	DATE
A	ECN NO.:S202306-R18	Jie	2023.6.28

SPECIFICATIONS:

- ELECTRICAL CHARACTERISTICS:
 - RATING: DC 20V 7A
 - CONTACT RESISTANCE : 30mΩ Max(INITAL)
 - DIELECTRIC WITHSTANDING VOLTAGE: 500V AC FOR ONE MINUTE
 - INSULATION RESISTANCE: 100mΩ MIN, MEASURED BY 500 VDC
- MECHANICAL CHARACTERISTICS:
 - INSERTION FORCE: 3.0KG Max.
 - WITHDRAWAL FORCE: 0.5KG-3.0KG
- LIFE TEST: 5,000 CYCLES MIN.
- OTHER GENERAL SPEC TO REFER "DC POWER JACK" SPEC
- TO CONFORM TO SINGATRON HAZARDOUS SUBSTANCE FREE SPEC
- HALOGEN FREE PRODUCT IDENTIFICATION MARK ON PRODUCT: Ⓢ
- HALOGEN FREE PRODUCT IDENTIFICATION LABEL ON PACKAGING: Ⓢ
- FOR HAND SOLDERING LEAD FREE PROCESS.
- PRINTED DATE CODE "YYMMDD" ON TOP OF CONNECTOR.

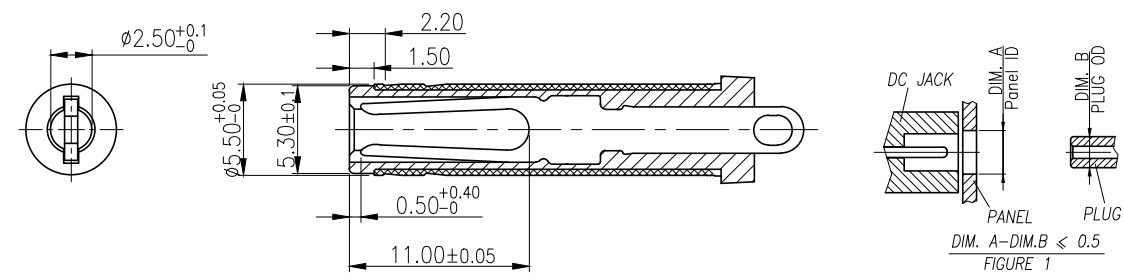
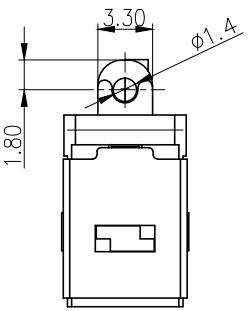
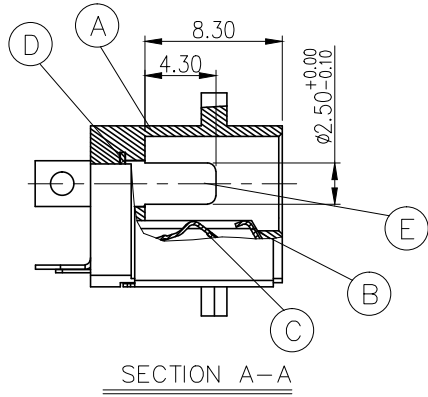
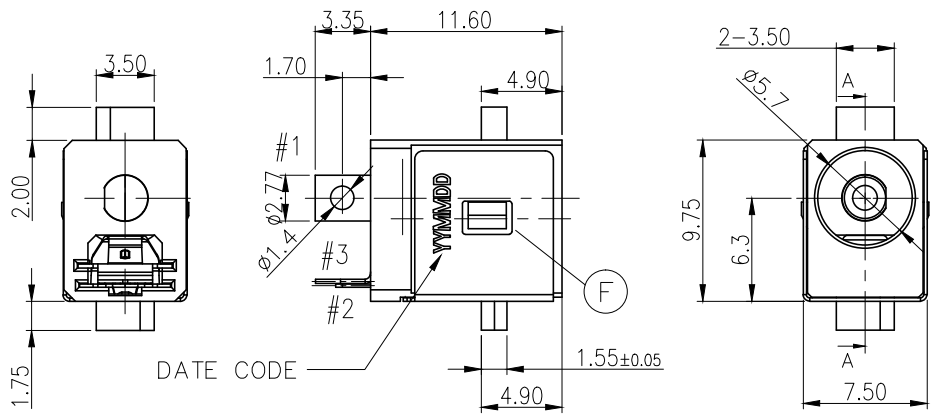


10. THE PANEL'S ID MUST BE GREATER THAN THE PLUG'S OD WHICH MUST HAVE A DIFFERENCE OF LESS THAN OR EQUAL TO 0.5 mm. (AS SHOWN IN FIGURE 1.)



NO	DESCRIPTION	QTY	MATERIAL	PLATING & COLOR
F	SHIELDING	1	STAINLESS 0.20T	Ni 60u"
E	PIN	1	BRASS BAR	GOLD FLASH OVER Ni 60u"
D	TERMINAL	1	STAINLESS 0.3t	N/A
C	SPRING	1	COPPER ALLOY 0.25T	Sn 80u" OVER Ni 60u"
B	TIP	1	COPPER ALLOY 0.20T	g/f ON CONTACT AREA, Sn 120u" ON SOLDER OVER Ni 60u"
A	BODY	1	THERMOPLASTIC UL 94V-0	BLACK

UNLESS OTHERWISE SPECIFIED TOLERANCES		Singatron Enterprise Co., Ltd. 信音企業股份有限公司	
DECIMALS:	ANGLES:	TITLE	
X :±0.5	X :±2°	DC POWER JACK	
X.X :±0.3	X.X :±1°	DWN	Jie
X.XX :±0.2		CHKD	Lussen
		APVD	Liao
		PART NO. 2DC3120-001111F	
		SCALE: 4:1	UNIT: mm
		SIZE: A3	SHEET: 1 OF 1
		REV: A	
CUSTOMER COPY			



型號 Plug: 5525TV275-1T84-02B