

REV.	ECN NO OR DESCRIPTION	REVISED	DATE
A	PDR NO: T170509-2A	Boru	2017.08.31

SPECIFICATIONS:

1.ELECTRICAL CHARACTERISTICS:

- 1-1.RATING: DC 20V 7.5A
- 1-2.CONTACT RESISTANCE : 30mΩ Max(INITAL)
- 1-3.DIELECTRIC WITHSTANDING VOLTAGE:500V AC FOR ONE MINUTE
- 1-4.INSULATION RESISTANCE:100mΩ MIN,MEASURED BY 500 VDC

2.MECHANICAL CHARACTERISTICS:

- 2-1.INSERTION FORCE: 3.0KG Max.
- 2-2.WITHDRAWAL FORCE: 0.5KG-3.0KG

3.LIFE TEST:5,000 CYCLES MIN.

4.OTHER GENERAL SPEC TO REFER"DC POWER JACK"SPEC

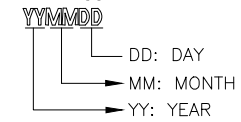
5.TO CONFORM TO SINGATRON HAZARDOUS SUBSTANCE FREE SPEC

6.HALOGEN FREE PRODUCT IDENTIFICATION MARK ON PRODUCT: Ⓢ

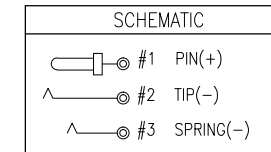
7.HALOGEN FREE PRODUCT IDENTIFICATION LABEL ON PACKAGING: Ⓢ

8.FOR HAND SOLDERING LEAD FREE PROCESS.

9.PRINTED DATE CODE"YYMMDD" ON TOP OF CONNECTOR.



10.THE PANEL'S ID MUST BE GREATER THAN THE PLUG'S OD WHICH MUST HAVE A DIFFERENCE OF LESS THAN OR EQUAL TO 0.5 mm.(AS SHOWN IN FIGURE 1.)

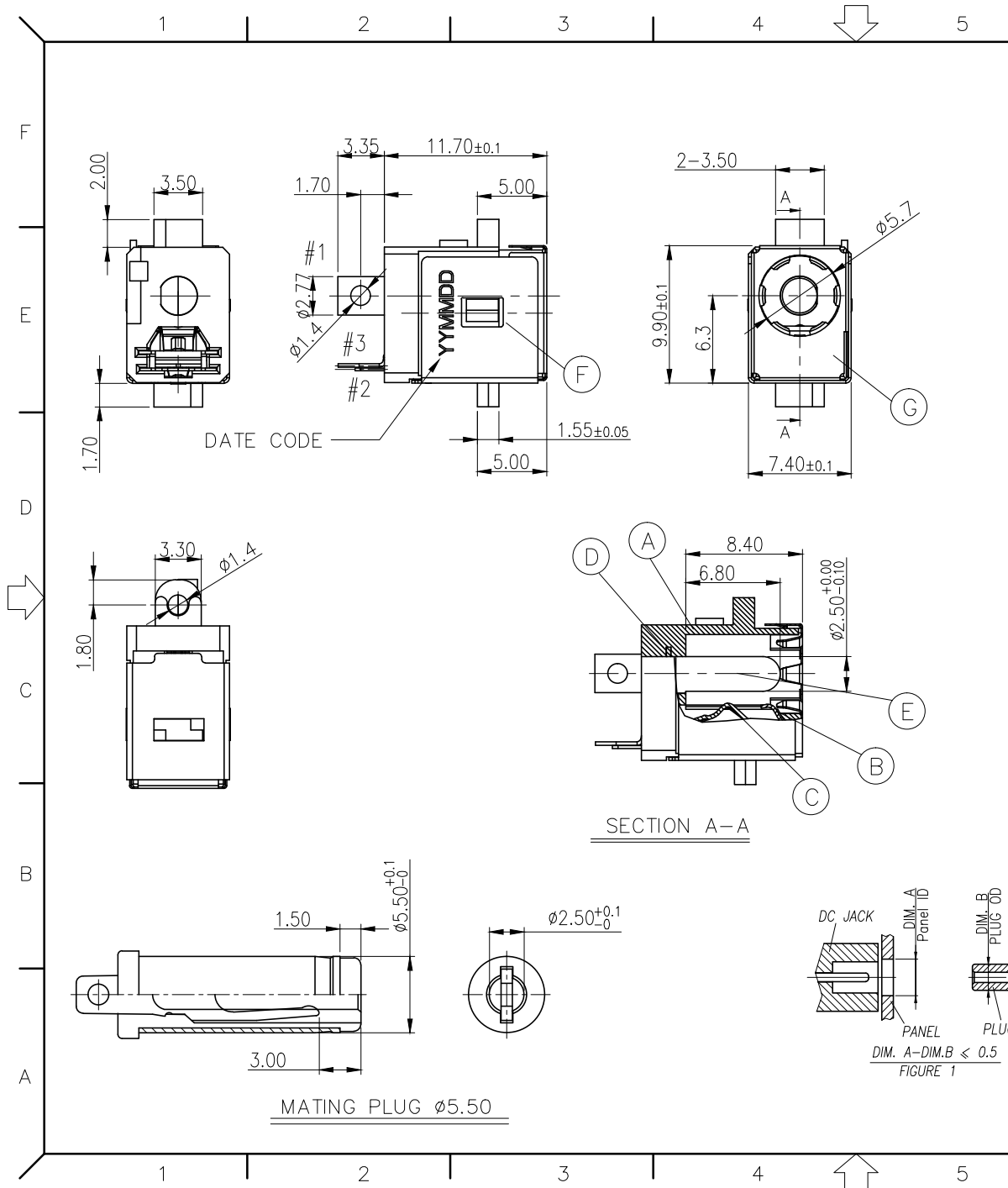


NO	DESCRIPTION	QTY	MATERIAL	PLATING & COLOR
G	GROUND	1	STAINLESS 0.10T	N/A
F	SHIELDING	1	STAINLESS 0.20T	Ni 60u"
E	PIN	1	BRASS BAR	GOLD FLASH OVER Ni 60u"
D	TERMINAL	1	STAINLESS 0.3t	N/A
C	SPRING	1	Phosphor Bronze 0.25T	Sn 80u" OVER Ni 60u"
B	TIP	1	Phosphor Bronze 0.20T	6/8 ON CONTACT AREA ,Sn 120u" ON SOLDER OVER Ni 60u"
A	BODY	1	PA66 UL94V-0	BLACK

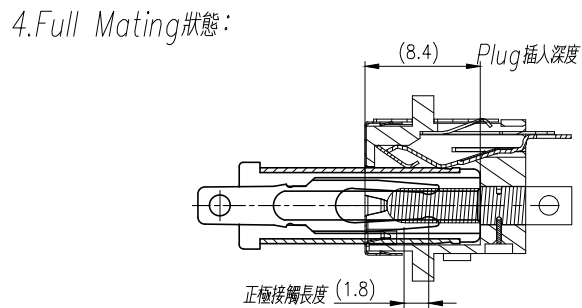
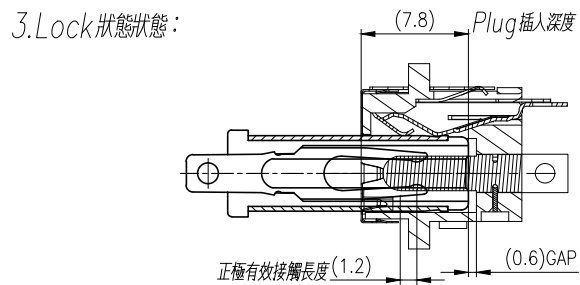
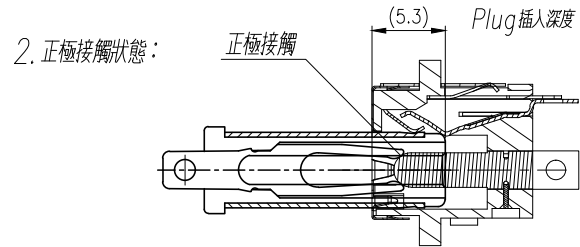
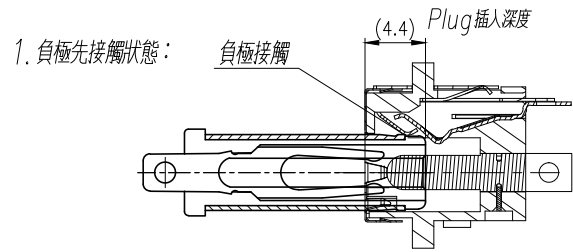
UNLESS OTHERWISE SPECIFIED TOLERANCES


Singatron Enterprise Co., Ltd.
 信音企業股份有限公司

DECIMALS:	ANGLES:	TITLE	DC POWER JACK		
X :±0.5	X :±2°	DWN	Boru	PART NO.2DC3120-004111F	
X.X :±0.3	X.X :±1°	CHKD	Sky	SCALE:4:1	UNIT: mm
X.XX :±0.2		APVD	Lussen	SIZE: A3	SHEET:1 OF 2
		REV:A			
CUSTOMER COPY					



REV.	ECN NO OR DESCRIPTION	REVISED	DATE
A	PDR NO: T170509-2A	Boru	2017.08.31



ITEM	DESCRIPTION	QTY	MATERIAL	PLATING & COLOR
UNLESS OTHERWISE SPECIFIED TOLERANCES		 Singatron Enterprise Co., Ltd. 信音企業股份有限公司		
DECIMALS: X :±0.5 X.X :±0.3 X.XX :±0.2		TITLE: DC POWER JACK_MATING DRAWING		
ANGLES: X :±2° X.X :±1°		DWN: Boru PART NO.2DC3120-004111F		
		CHKD: Sky SCALE -- UNIT: mm		
		APVD: Lussen SIZE: A3 SHEET:2 OF 2 REV:A		
CUSTOMER COPY				