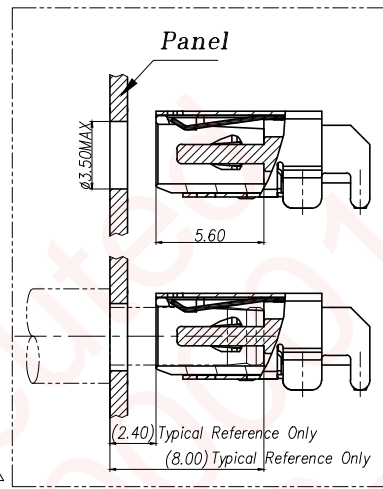
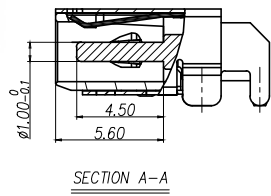
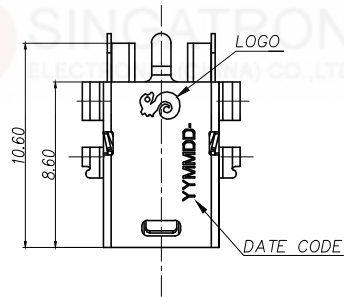
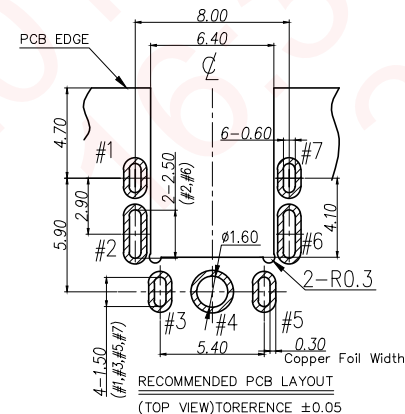
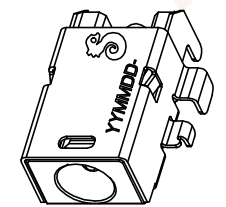
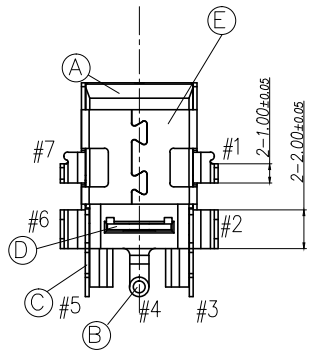
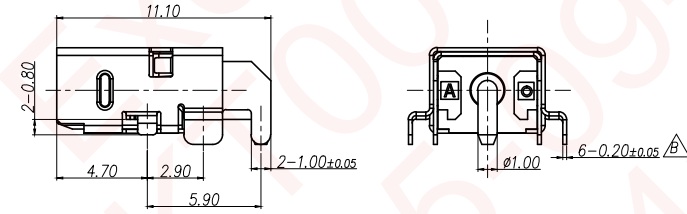
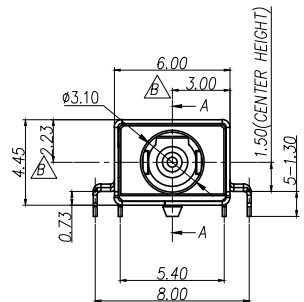
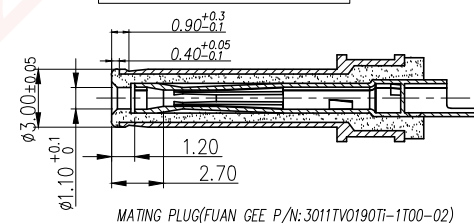
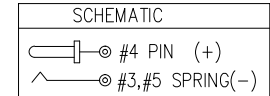


REV.	ECN NO OR DESCRIPTION	REVISED	DATE
A	PDR NO.T131219-4A	Springwu	2014.7.3
B	ECN NO.S150747-C	YUREN	2015.09.11



- SPECIFICATIONS:
- ELECTRICAL SPEC:
 - 1-1. RATED CURRENT: 3A;
 - 1-2. RATED VOLTAGE: 20V;
 - 1-3. INSULATION RESISTANCE: 100MΩ MIN. AFTER BY 500 VDC FOR 1 MINUTE
 - 1-4. DIELECTRIC WITHSTANDING VOLTAGE: 500V AC FOR ONE MINUTE.
 - 1-5. CONTACT RESISTANCE: 15mΩ MAX.
 - MECHANICAL SPEC:
 - 2-1. INSERTION FORCE: 0.6~1.4kgf(INITIAL AND AFTER LIFE TEST).
 - 2-2. WITHDRAWAL FORCE: 0.6~1.4kgf(INITIAL AND AFTER LIFE TEST).
 - WEIGHT: 0.65g.
 - LIFE TEST: 8,000 CYCLES MIN.
 - TEMPERATURE RISE CAN'T EXCEED 30°C
 - TO CONFORM TO SINGATRON HAZARDOUS SUBSTANCE FREE SPEC.
 - HALOGEN FREE PRODUCT IDENTIFICATION MARK ON JACK: ☉
 - HALOGEN FREE PRODUCT IDENTIFICATION LABEL ON PACKAGING: 🌿
 - FOR REFLOW SOLDERING LEAD-FREE PROCESS.
 - PRINTED DATE CODE "YMMDD" ON TOP OF CONNECTOR.

DD: DAY
MM: MONTH
YY: YEAR



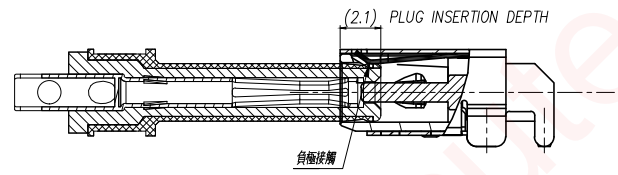
NO	DESCRIPTION	QTY	MATERIAL	PLATING & COLOR
E	SHELL	1	STAINLESS STEEL(SUS304)	Ni 60u" MIN
D	TERMINAL	1	STAINLESS STEEL(SUS304)	N/A
C	SPRING	1	TITANIUM COPPER(YCUT-FX)	MATTE Sn 120u" OVER Ni 50u" MIN.
B	PIN	1	BRASS BAR(HBI59-1.5B)	GOLD FLASH OVER Ni 60u" MIN
A	BODY	1	(LCP E130I) UL94V-0	BLACK

UNLESS OTHERWISE SPECIFIED TOLERANCES		SINGATRON ENTERPRISE CO., LTD. 信音企業股份有限公司	
DECIMALS:	ANGLES:	TITLE: DC POWER JACK	
X : ±0.5	X : ±2°	DWN	YUREN PART NO. 2DC3121-000111F
X.X : ±0.3	X.X : ±1°	CHKD	CERRY SCALE 5:1 UNIT: mm
X.XX : ±0.2		APVD	LIAO SIZE: A3 SHEET: 1 OF 2 REV: B
CUSTOMER COPY			

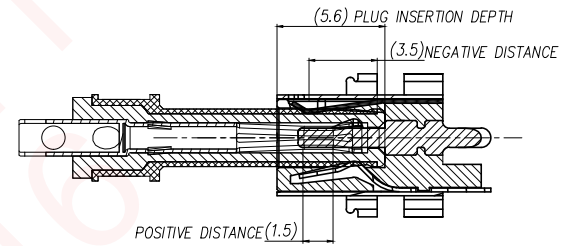
REV.	ECN NO OR DESCRIPTION	REVISED	DATE
A	PDR NO.T131219-4A	Springwu	2014.7.3
B	ECN NO.S150747-C	YUREN	2015.09.11



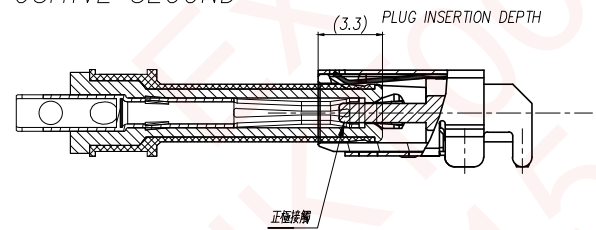
1.NEGATIVE FIRST



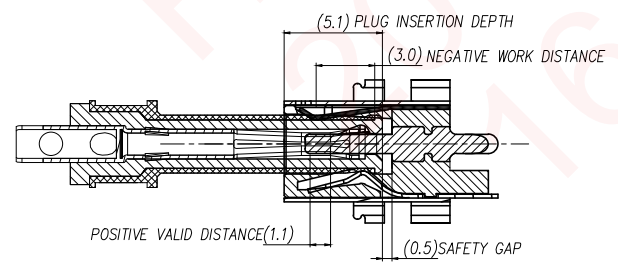
4. FULLY INSERTION



2.POSITIVE SECOND



3. LOCK POSITION



ITEM	DESCRIPTION	QTY	MATERIAL	PLATING & COLOR
UNLESS OTHERWISE SPECIFIED TOLERANCES		Singatron Enterprise Co., Ltd. 信音企業股份有限公司		
DECIMALS: ANGLES:		TITLE DC JACK POWER_MATING DRAWING		
X	:±0.5	X	:±2°	DWN YUREN PART NO. 2DC3121-000111F
X.X	:±0.3	X.X	:±1°	CHKD CERRY SCALE 5:1 UNIT: mm
X.XX	:±0.2	APVD	LIAO	SIZE: A3 SHEET: 2 OF 2 REV:B
CUSTOMER COPY				