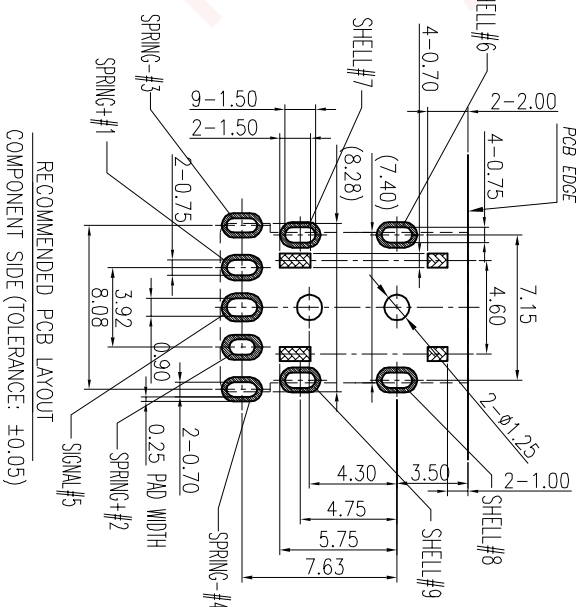
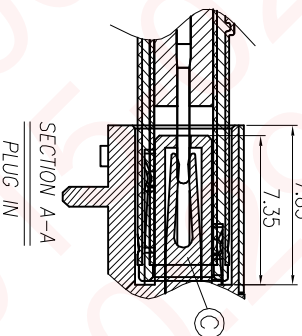
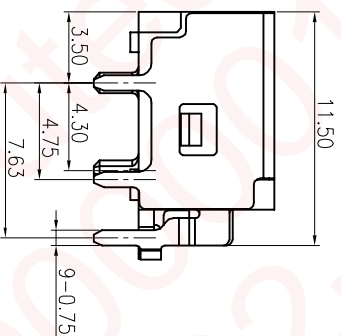
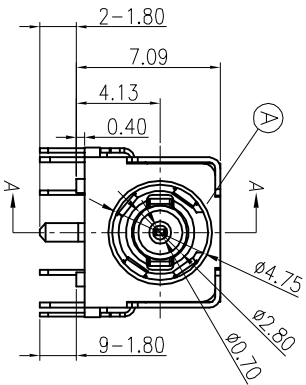
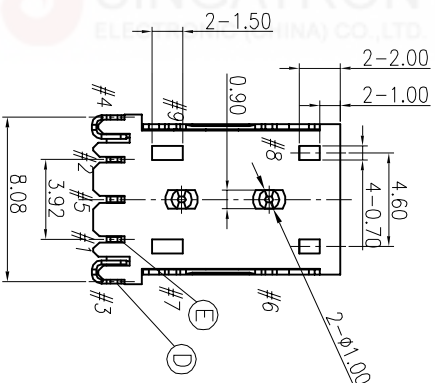


PLUG 型号 45P06CV230-1A00-01



RECOMMENDED PCB LAYOUT
COMPONENT SIDE (TOLERANCE: ±0.05)



SPECIFICATIONS:

- ELECTRICAL CHARACTERISTICS:
 - RATING: 20V 3A
 - CONTACT RESISTANCE: 30mΩ MAX.
 - DIELECTRIC WITHSTANDING VOLTAGE: 500V AC FOR ONE MINUTE.
 - INSULATION RESISTANCE: 100MΩ MIN. MEASURED BY 500 VDC
- MECHANICAL CHARACTERISTICS:
 - INSERTION FORCE: 3.0 kgf MAX.
 - WITHDRAWAL FORCE: 0.3~3.0kgf.
 - LIFE TEST: 5,000 CYCLES.
 - TO CONFORM TO SINGATRON HAZARDOUS SUBSTANCE FREE SPEC.
 - HALOGEN FREE PRODUCT IDENTIFICATION MARK ON JACK:
 - HALOGEN FREE PRODUCT IDENTIFICATION LABEL ON PACKAGING:
 - FOR HAND SOLDERING LEAD-FREE PROCESS.
 - PRINTED DATE CODE "YYMMDD":
 - DD: DAY
 - MM: MONTH
 - YY: YEAR
- THE PANEL'S ID MUST BE GREATER THAN THE PLUG'S OD WHICH MUST HAVE A DIFFERENCE OF LESS THAN OR EQUAL TO 0.5 mm.(AS SHOWN IN FIGURE 1.)

NO	DESCRIPTION	QTY	MATERIAL	PLATING & COLOR
E	SPRING(+)	1	COPPER ALLOY 0.20T	
D	SPRING(-)	1	COPPER ALLOY 0.25T	Au 50*+Pd/Ni 25u* ON CONTACT AREA Watte Sn 120u*Min On Solder Tail. All Over Ni 50u*Min.
C	SIGNAL	1	COPPER ALLOY 0.30T	
B	SHELL	1	STAINLESS STEEL 0.25T	Ni 50u*Min.
A	BODY	1	HIGH TEMP THERMOPLASTIC (HALOGEN FREE)UL 94V-0	BLACK

UNLESS OTHERWISE SPECIFIED TOLERANCES

Singatron Enterprise Co., Ltd.
信益企業股份有限公司

DECIMALS:	ANGLES:	TITLE	DC POWER JACK
X : ±0.5	X : ±2°	DWN Allen	PART NO. 2DC3122-003111F
X.X : ±0.3	X.X : ±1°	CHKD Sky	SCALE 4:1 UNIT: mm
X.XX : ±0.2		APVD Lussen	SIZE: A3 SHEET: 1 OF 1 REV: A

CUSTOMER COPY

REV.	ECN NO OR DESCRIPTION	REVISED	DATE
A	PDR NO. T140923-4A	Allen	2015.01.22