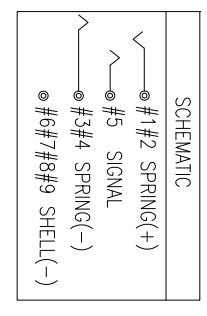
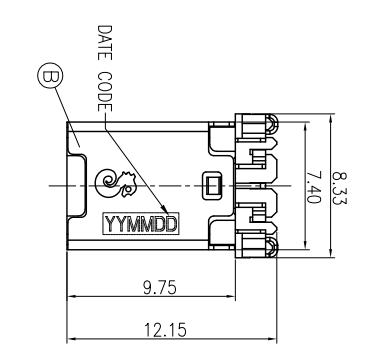
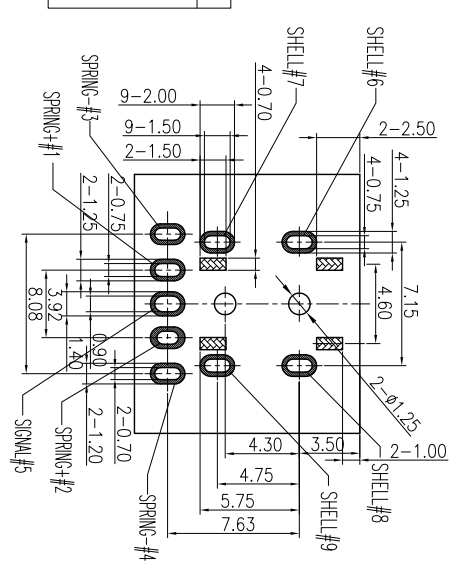


REV.	ECN NO.	OR DESCRIPTION	REVISED	DATE
A	PDR NO. T150512-4A		Allen	2015.08.25
B	ECN NO. S160335-C		YUREN	2016.3.15

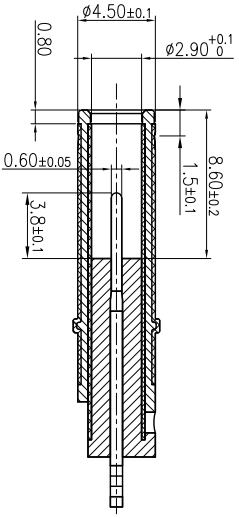
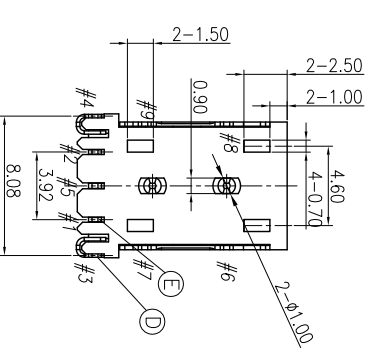
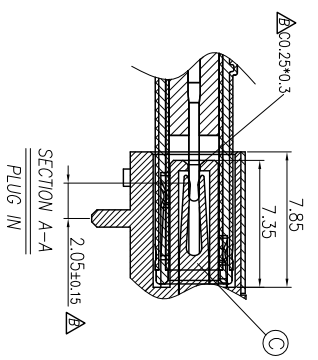
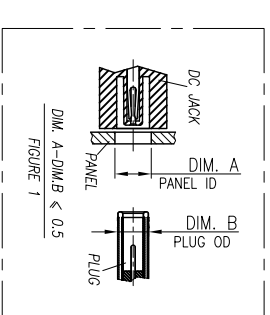
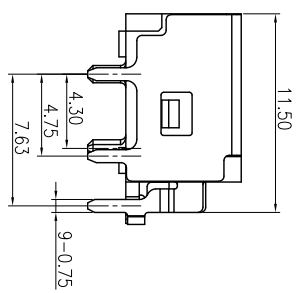
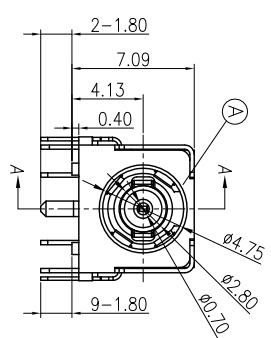


RECOMMENDED PCB LAYOUT  
COMPONENT SIDE  
(TOLERANCE: ±0.05)



SPECIFICATIONS:

- ELECTRICAL CHARACTERISTICS:
  - RATING: 20V 5A
  - CONTACT RESISTANCE: 30mΩ MAX.
  - DIELECTRIC WITHSTANDING VOLTAGE: 500V AC FOR ONE MINUTE.
  - INSULATION RESISTANCE: 100MΩ MIN. MEASURED BY 500 VDC
- MECHANICAL CHARACTERISTICS:
  - INSERTION FORCE: 3.0 kgf MAX.
  - WITHDRAWAL FORCE: 0.3~3.0kgf.
  - LIFE TEST: 5 000 CYCLES.
  - TO CONFORM TO SINGATRON HAZARDOUS SUBSTANCE FREE SPEC.
  - HALOGEN FREE PRODUCT IDENTIFICATION MARK ON JACK:
  - HALOGEN FREE PRODUCT IDENTIFICATION LABEL ON PACKAGING:
  - FOR HAND SOLDERING LEAD-FREE PROCESS.
  - PRINTED DATE CODE "YYMMDD".
- THE PANEL'S ID MUST BE GREATER THAN THE PLUG'S OD WHICH MUST HAVE A DIFFERENCE OF LESS THAN OR EQUAL TO 0.5 mm.(AS SHOWN IN FIGURE 1.)



MATING PLUG  
PLUG 连接器 型号 45P06CV230-1A00-01

NO	DESCRIPTION	QTY	MATERIAL	PLATING & COLOR
E	SPRING(+)	1	COPPER ALLOY 0.20T	Gold Flash On Contact Area.
D	SPRING(-)	1	COPPER ALLOY 0.25T	Matte Sn120uMn On Solder Tail.
C	SIGNAL	1	COPPER ALLOY 0.30T	All Over Ni 50uMn.
B	SHELL	1	STAINLESS STEEL 0.25T	Ni 50uMn.
A	BODY	1	HIGH TEMP THERMOPLASTIC (HALOGEN FREE)UL 94V-0	BLACK

UNLESS OTHERWISE SPECIFIED TOLERANCES

Singatron Enterprise Co., Ltd.  
信安企業股份有限公司

DECIMALS:	ANGLES:
X : ±0.5	X : ±2°
X.X : ±0.3	X.X : ±1°
X.XX : ±0.2	

TITLE	DC POWER JACK
DMW YUREN	PART NO. 2DC3122-005111F
CHKD CERRY	SCALE 4:1 UNIT: mm
APVD LIAO	SIZE: A3 SHEET: 1 OF 1 REV: B

CUSTOMER COPY