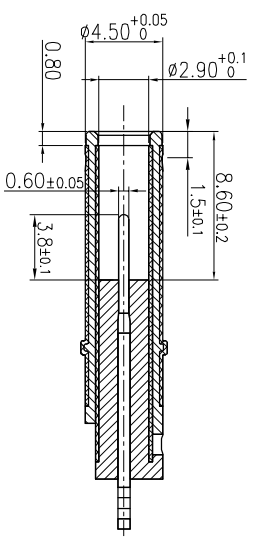
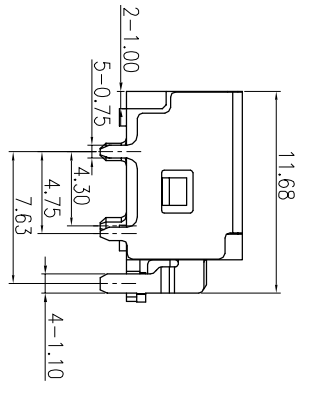
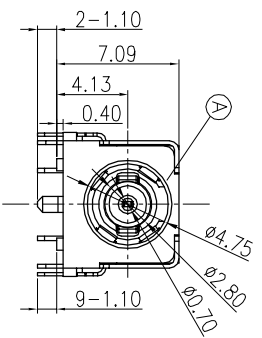


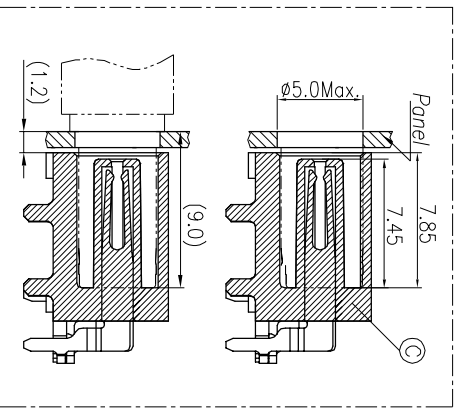
RECOMMENDED PCB LAYOUT
COMPONENT SIDE
(TOLERANCE: ±0.05)



PLUG 插頭 型號 45P06CV230-1A00-01
MATING PLUG

SPECIFICATIONS:

- ELECTRICAL CHARACTERISTICS:
 - RATING: 20V 12A
 - CONTACT RESISTANCE: 30mΩ MAX.
 - DIELECTRIC WITHSTANDING VOLTAGE: 500V AC FOR ONE MINUTE.
 - INSULATION RESISTANCE: 100MΩ MIN. MEASURED BY 500 VDC
- MECHANICAL CHARACTERISTICS:
 - INSERTION FORCE: 3.0 kgf MAX.
 - WITHDRAWAL FORCE: 0.3~3.0kgf.
 - LIFE TEST: 5,000 CYCLES.
 - TO CONFORM TO SINGATRON HAZARDOUS SUBSTANCE FREE SPEC.
 - HALOGEN FREE PRODUCT IDENTIFICATION MARK ON PRODUCT: (C)
 - FOR REFLOW SOLDERING LEAD-FREE PROCESS.



E	SPRING(+)	1	C7035 0.20T	Ni (50u Min.) UNDERPLATED OVER ALL, Pd/Ni (50u Min.) & GOLD-PLATED (5u Min.) ON CONTACT AREA.
D	SPRING(-)	1	C7035 0.25T	
C	SIGNAL	1	CS210 0.30T	AND WASTE-IN 120u Min. ON SOLDER AREA.
B	SHELL	1	SUS 0.25T	Ni 50u Min.
A	BODY	1	LCP+30%GF E130' (HALOGEN FREE)UL 94V-0	BLACK
NO	DESCRIPTION	QTY	MATERIAL	PLATING & COLOR

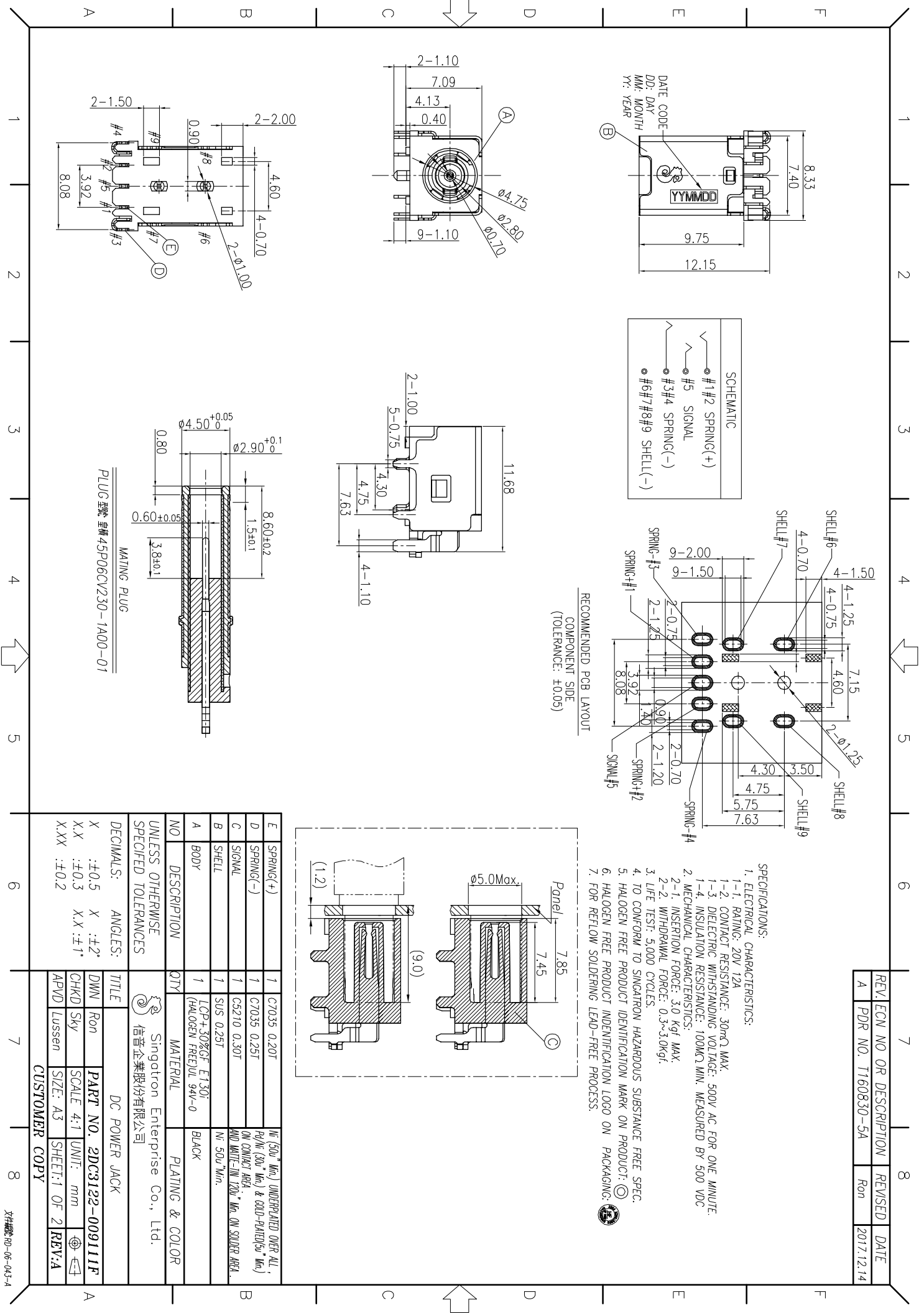
UNLESS OTHERWISE SPECIFIED TOLERANCES

Singatron Enterprise Co., Ltd.
信音企業股份有限公司

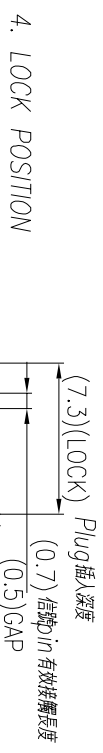
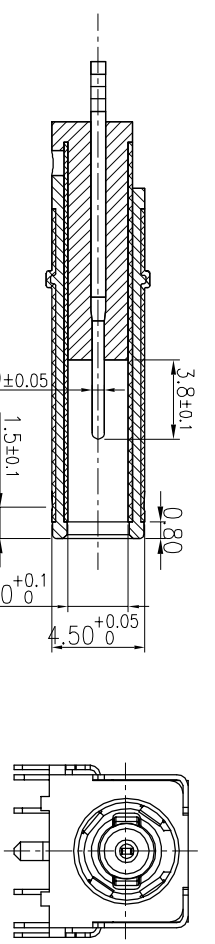
DC POWER JACK

TITLE	DWM	Ron	PART NO.	2DC3122-009111F
CHKD	Sky		SCALE	4:1
APVD	Lussen		SIZE	A3
			SHEET: 1 OF 2	REV: 4

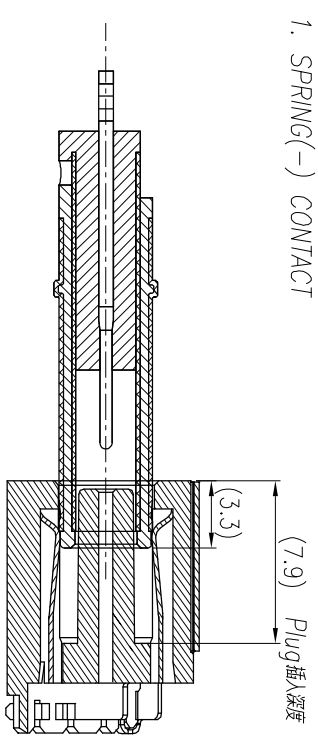
CUSTOMER COPY



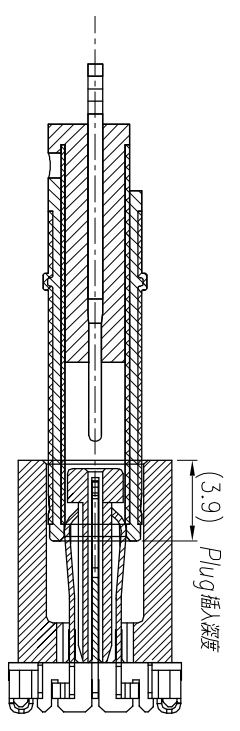
REV	ECN NO OR DESCRIPTION	REVISED	DATE
A	PDR NO. T160630-5A	Ron	2017.12.14



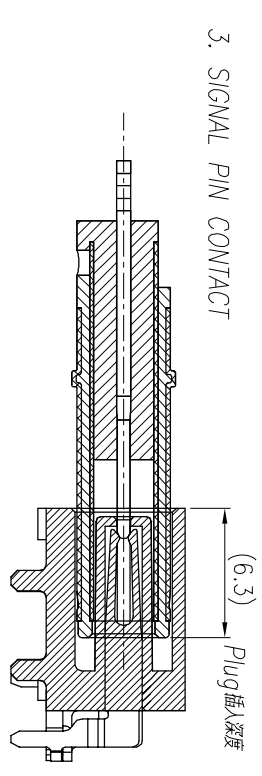
1. SPRING(-) CONTACT



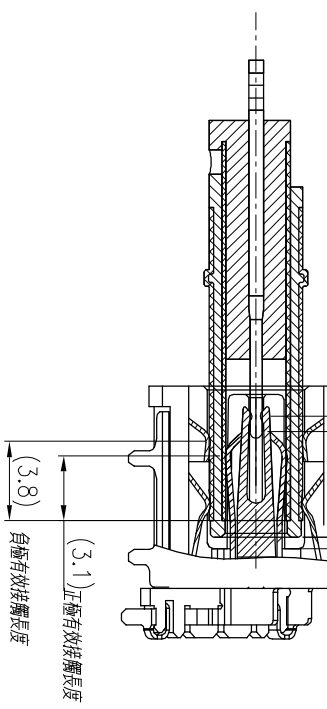
2. PIN(+) CONTACT



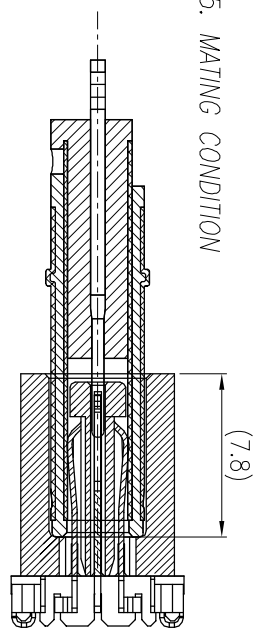
3. SIGNAL PIN CONTACT



4. LOCK POSITION



5. MATING CONDITION



UNLESS OTHERWISE SPECIFIED TOLERANCES

DECIMALS:	ANGLES:
X :±0.5	X :±2°
X.X :±0.3	X.X :±1°
X.XX :±0.2	

Singatron Enterprise Co., Ltd.
信營企業股份有限公司

TITLE	MATING
DWN Ron	PART NO. 2DC3122-009111F
CHKD Sky	SCALE 4:1 UNIT: mm
APVD Lussen	SIZE: A3 SHEET: 2 OF 2 REV: A

CUSTOMER COPY