

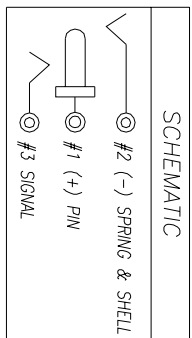
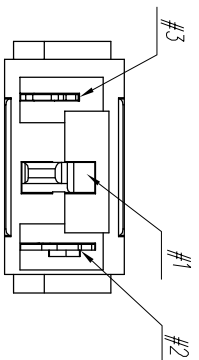
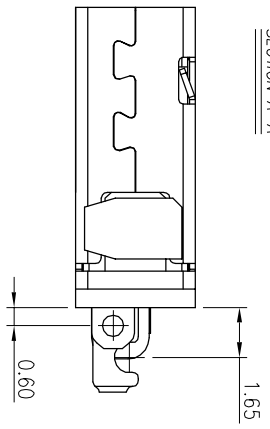
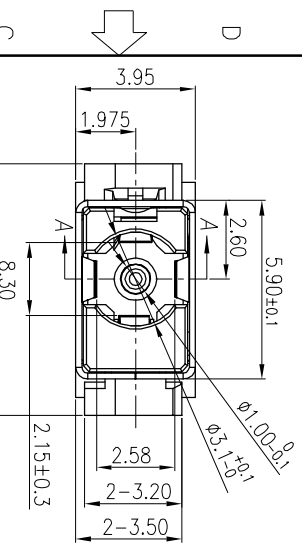
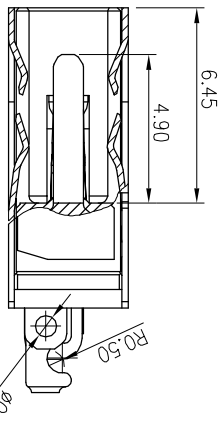
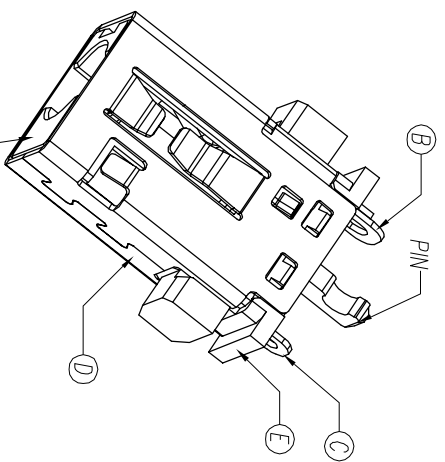
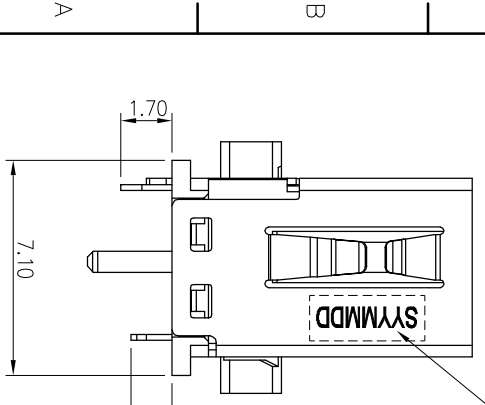


REV.	ECN NO OR DESCRIPTION	REVISED	DATE
A	PDR NO.1170523-4A	Zhijun	2018.12.24

- SPECIFICATIONS:
- 1.ELECTRICAL CHARACTERISTICS:
 1-1-RATING: DC 20V 5A (OVER AMBIENT AT: 30°C MAX.)
 1-2-CONTACT RESISTANCE:20mΩ MAX.(INITIAL);
 30mΩ MAX.(AFTER LIFE TEST)
 1-3-DIELECTRIC WITHSTANDING VOLTAGE:500V AC FOR ONE MINUTE.
 1-4-INSULATION RESISTANCE:100MΩ MIN. MEASURED BY 500V DC.
 2.MATING FORCE/UNMATING FORCE: SEE APPENDED FIGURE 1.
 3.LIFE TEST: 5000 CYCLES.
 4.OTHER GENERAL SPEC. TO REFER "2DC3127 SERIES SPEC".
 5.TO CONFORM TO SINGARON HAZARDOUS SUBSTANCE FREE SPEC.
 6.HALOGEN FREE PRODUCT IDENTIFICATION MARK ON PRODUCT: 
 7.HALOGEN FREE PRODUCT IDENTIFICATION LOGO ON PACKAGING: 



DATE CODE
 S:SINGATRON
 YY:Year(15)
 MM:Month(01~12)
 DD:Day(01~31)



NO	DESCRIPTION	QTY	MATERIAL	PLATING & COLOR
E	COVER	1	PA4T UL94V-0	BLACK
D	SHELL	1	C5210-EH 0.2T	Ni 60u"MIN.
C	DETECT	1	YCUT-FX 0.2T	GOLD FLASH ON CONTACT AREA
B	TIP	1	YCUT-FX 0.2T	GOLD FLASH ON CONTACT AREA
A	INSERT MOLDING	1	PIN: BRASS	GOLD FLASH ON CONTACT AREA
		1	BODY: PA9T UL94V-0	BLUE(298C)

UNLESS OTHERWISE SPECIFIED TOLERANCES

DECIMALS:	ANGLES:	TITLE
X :±0.5	X :±2°	DWN Zhijun
X.X :±0.3	X.X :±1°	CHKD Sky
X.XX :±0.2		APVD Lussen

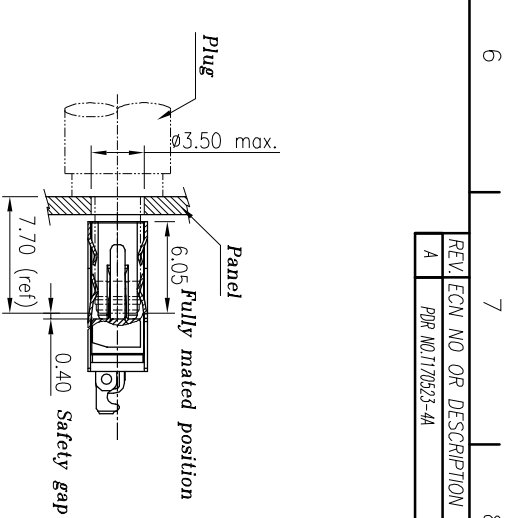
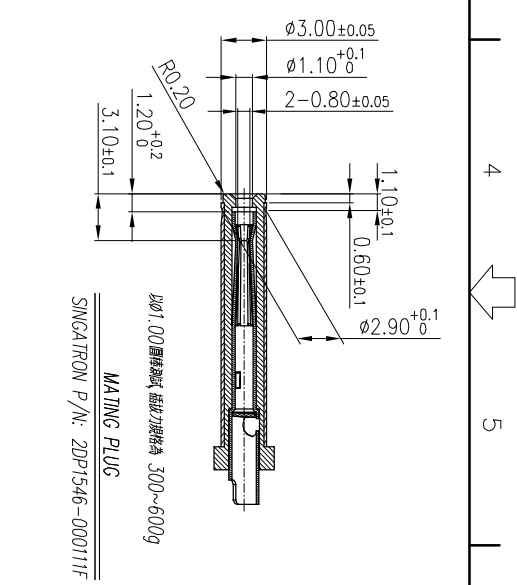
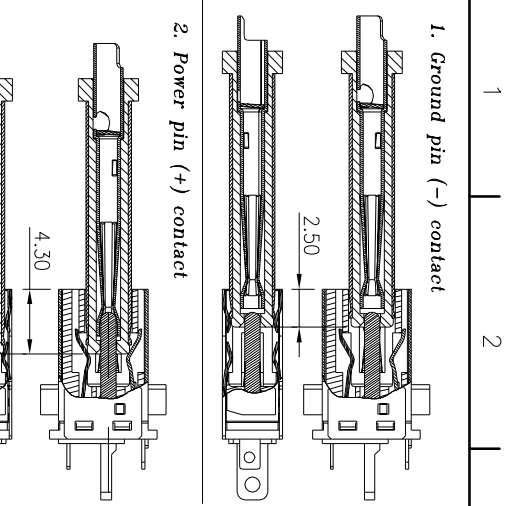
 Singatron Enterprise Co., Ltd.
 信普企業股份有限公司

DC POWER JACK

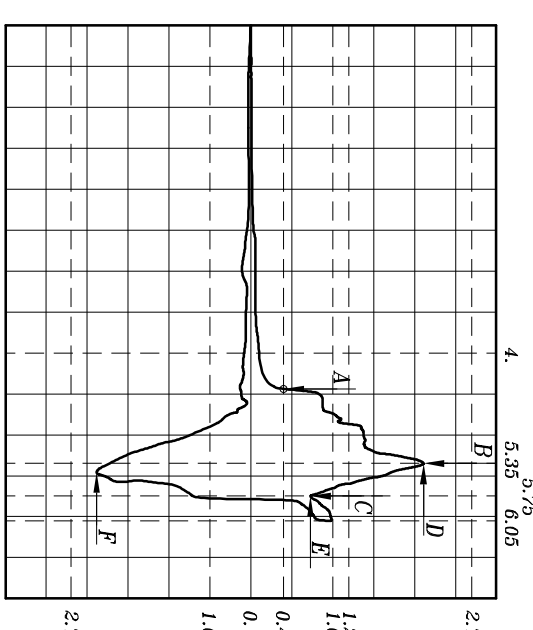
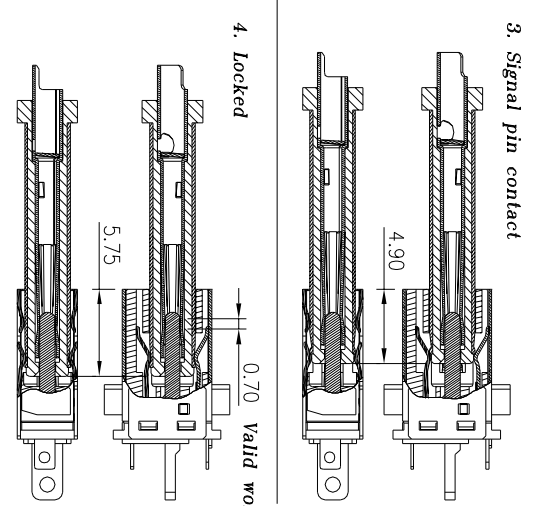
PART NO.	2DC3127-003111F
SCALE	1:1
UNIT	mm
SIZE	A3
SHEET	10F2
REV	A

CUSTOMER COPY

REV	ECN NO OR DESCRIPTION	REVISED	DATE
A	PPR NO:1170323-4A	Zhijun	2018.12.24

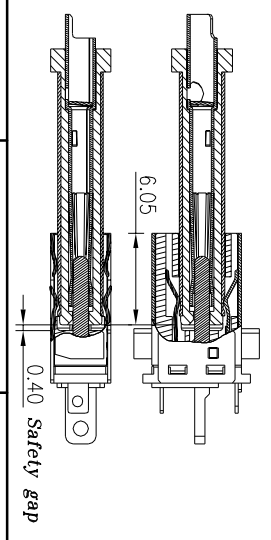


APPENDED FIGURE 1.



- A: 插入最明顯手感力量起始點位置(mm)
→ 力量爬升至0.4kg時,位置必須在4.0mm之後 (Plug插入至4.0mm之前力量不可超過0.4kg)
- B: 插入力最大波峰值位置(mm)
→ 5.35+/- 0.2mm
- C: 插入LOCK力量下降波谷位置(mm)
→ 5.75+/- 0.2mm
- D: 插入力最大波峰值(kg)
→ Initial 1.2~2.7kg, after life test 1.0~2.7kg
- E: 插入LOCK力量下降波谷值(kg)
→ (D值-E值) > 0.5kg
- F: 拔出力範圍(kg)
→ (Initial/after life test) 1.0~2.7kg

5. Fully mated position



NO	DESCRIPTION	QTY	MATERIAL	PLATING & COLOR
UNLESS OTHERWISE SPECIFIED TOLERANCES				
DECIMALS: ANGLES:				
X	:±0.5	X	:±2°	
X.X	:±0.3	X.X	:±1°	
X.XX	:±0.2			
TITLE DC POWER JACK				
DWN	Zhijun	PART NO.	2DC3127-003111F	
CHKD	Sky	SCALE	1:1	UNIT: mm
APVD	Lussen	SIZE:	A3	SHEET: 20F2
REV: A				
CUSTOMER COPY				

Singatron Enterprise Co., Ltd.
信晉企業股份有限公司