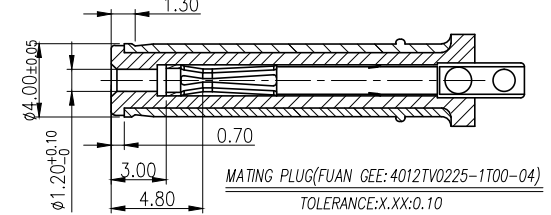
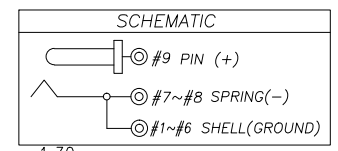
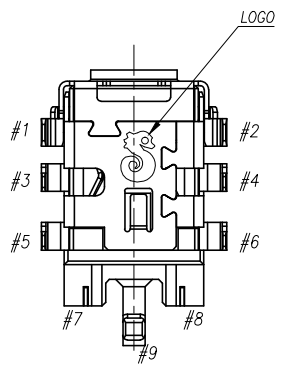
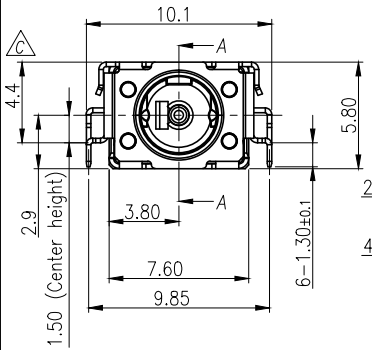
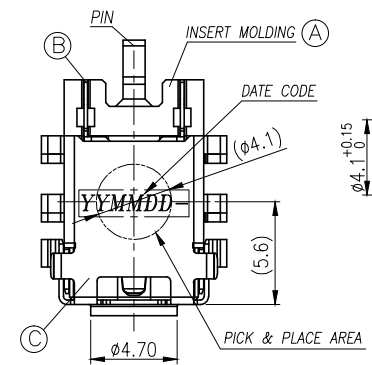
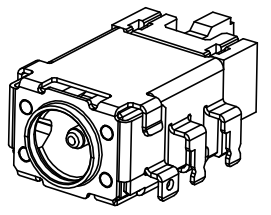
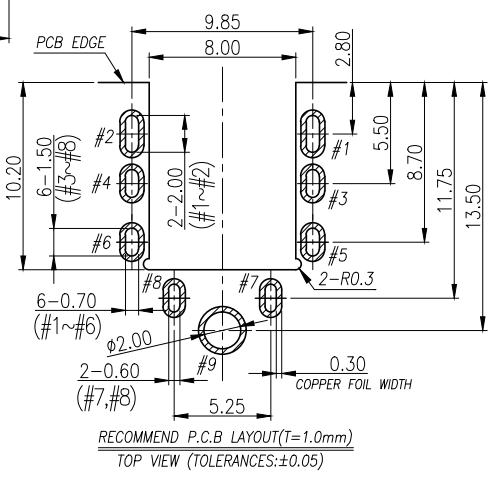
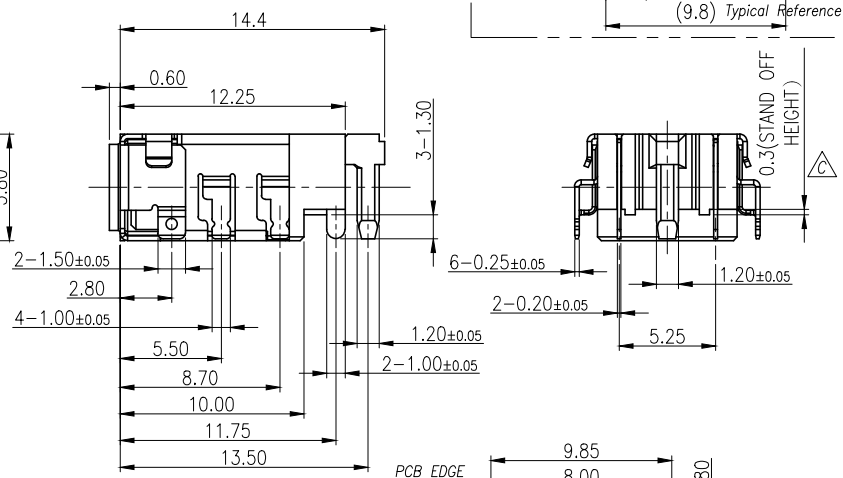
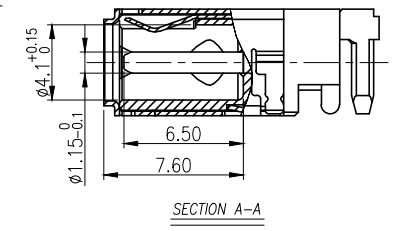
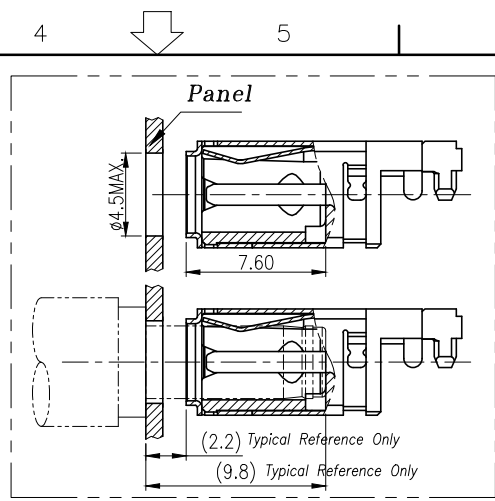


REV.	ECN NO OR DESCRIPTION	REVISED	DATE
A	PDR NO.T140822-7A	Allen	2015.07.02
B	ECN NO.S150732-C	YUREN	2015.09.06
C	ECN NO.S160411-C	YUREN	2016.05.12

- SPECIFICATIONS:
- ELECTRICAL CHARACTERISTICS:
    - RATING: 20V 5A
    - CONTACT RESISTANCE: 15mΩ MAX.
    - DIELECTRIC WITHSTANDING VOLTAGE: 500V AC FOR ONE MINUTE.
    - INSULATION RESISTANCE: 100MΩ MIN. MEASURED BY 500 VDC
  - MECHANICAL CHARACTERISTICS:
    - INSERTION FORCE : 0.8~2.0kgf.(INITIAL/AFTER LIFE TEST)
    - WITHDRAWAL FORCE : 0.8~2.0kgf.(INITIAL/AFTER LIFE TEST)
  - TEMPERATURE RISE CAN'T EXCEE 30°C
  - LIFE TEST: 8,000 CYCLES MIN.
  - WEIGHT: 1.265g.
  - TO CONFORM TO SINGATRON HAZARDOUS SUBSTANCE FREE SPEC.
  - HALOGEN FREE PRODUCT IDENTIFICATION MARK ON JACK:
  - HALOGEN FREE PRODUCT IDENTIFICATION LABEL ON PACKAGING:
  - FOR REFLOW SOLDERING LEAD-FREE PROCESS.
  - PRINTED DATE CODE "YYMMDD" ON TOP OF CONNECTOR.

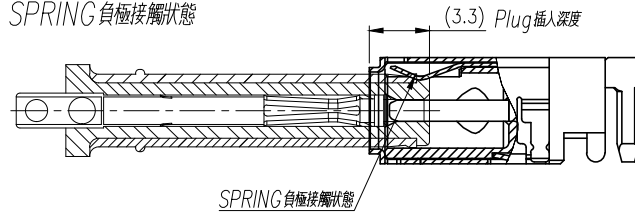


C	SHELL	1	STAINLESS STEEL(SUS304)	Ni 60u"MIN.
B	SPRING(-)	1	PHOSPHR BRONZE(C5210)	MATTE Sn 120u"Min,OVER Ni50u"Min
A	INSERT MOLDING	1	PIN:BRASS(C2680)	GOLD FLASH ON CONTACT AREA Sn 120u" ON SOLDER TAIL ALL OVER Ni 50u" Min
		1	BODY:(PA4T) UL94V-0	BLACK
ITEM	DESCRIPTION	QTY	MATERIAL	PLATING & COLOR
UNLESS OTHERWISE SPECIFIED TOLERANCES		Singatron Enterprise Co., Ltd. 信音企業股份有限公司		
DECIMALS:		TITLE		
X	:±0.5	DC POWER JACK		
X.X	:±0.3	DWN	YUREN	PART NO. 2DC3137-001111F
X.XX	:±0.2	CHKD	CERRY	SCALE 4:1 UNIT: mm
		APVD	LIAO	SIZE: A3 SHEET:1 OF 2
		REV:C		
CUSTOMER COPY				

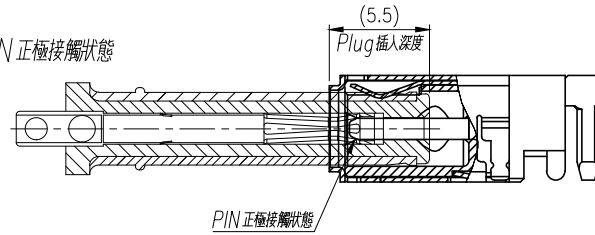


REV.	ECN NO OR DESCRIPTION	REVISED	DATE
A	PDR NO.T140822-7A	Allen	2015.07.02
B	ECN NO.S150732-C	YUREN	2015.09.06
C	ECN NO.S160411-C	YUREN	2016.5.12

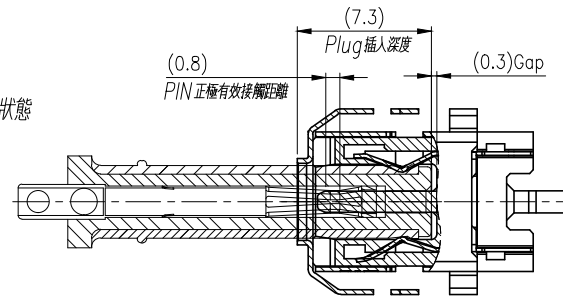
1. SPRING負極接觸狀態



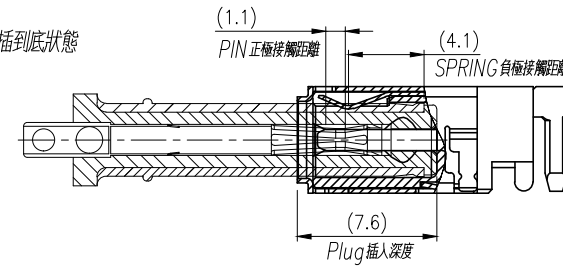
2. PIN正極接觸狀態




3. Lock狀態



4. Plug插到底狀態



ITEM	DESCRIPTION	QTY	MATERIAL	PLATING & COLOR
UNLESS OTHERWISE SPECIFIED TOLERANCES		 Singatron Enterprise Co., Ltd. 信音企業股份有限公司		
DECIMALS: ANGLES:		TITLE: DC POWER JACK_MATING DRAWING		
X	:±0.5 X :±2°	DWN	YUREN	<b>PART NO. 2DC3137-001111F</b>
X.X	:±0.3 X.X :±1°	CHKD	CERRY	SCALE 4:1 UNIT: mm
X.XX	:±0.2	APVD	LIAO	SIZE: A3 SHEET:2 OF 2 <b>REV:C</b>
<b>CUSTOMER COPY</b>				