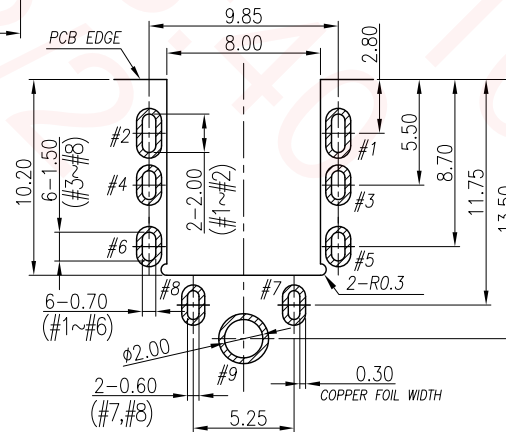
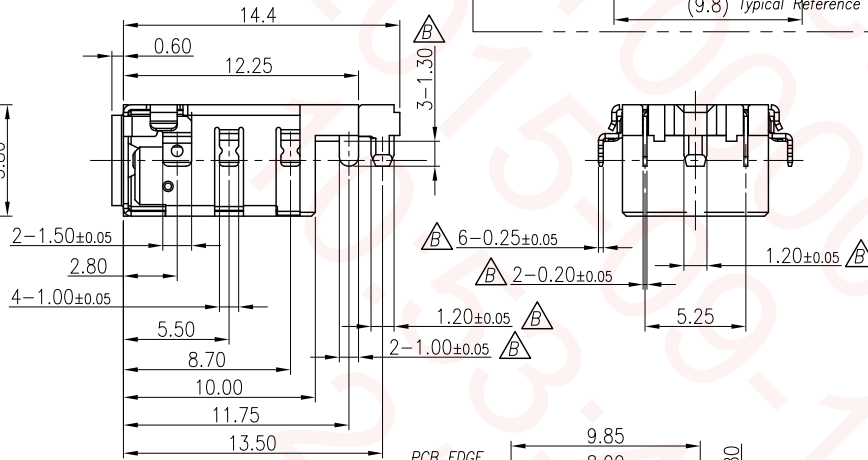
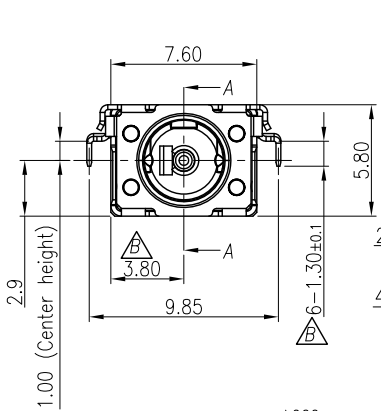
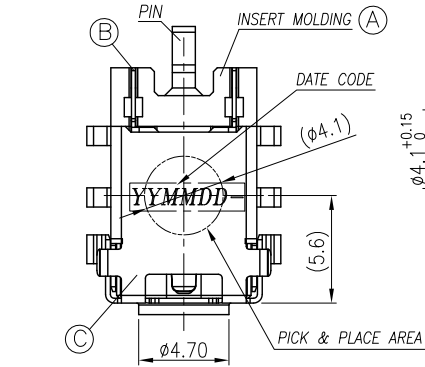
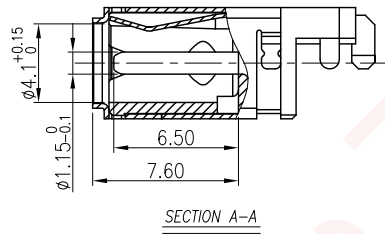
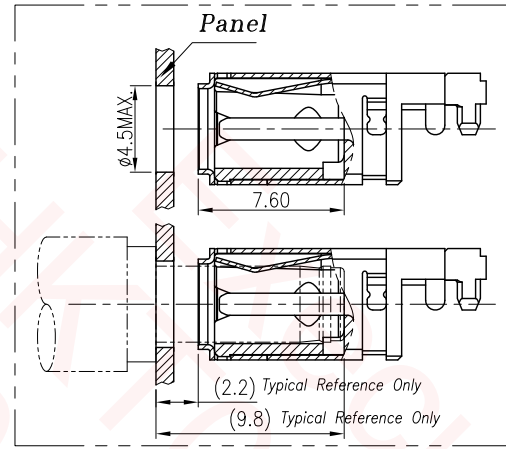
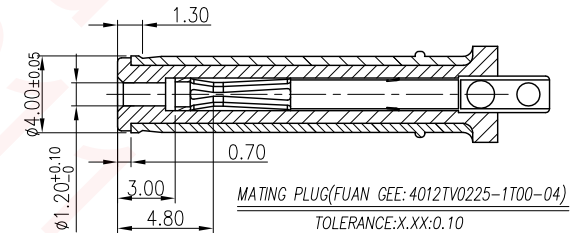
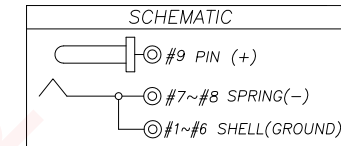


| REV. | ECN NO OR DESCRIPTION | REVISED | DATE       |
|------|-----------------------|---------|------------|
| A    | PDR NO.T140911-3A     | Allen   | 2015.06.10 |
| B    | ECN NO.S150732-C      | YUREN   | 2015.09.06 |

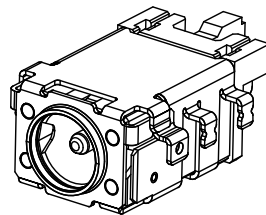
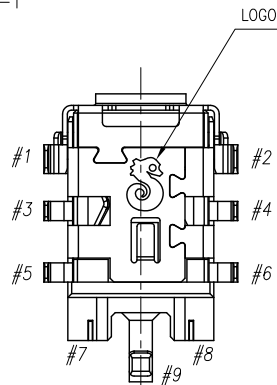
SPECIFICATIONS:

- ELECTRICAL CHARACTERISTICS:
  - RATING: 20V 5A
  - CONTACT RESISTANCE: 15mΩ MAX.
  - DIELECTRIC WITHSTANDING VOLTAGE: 500V AC FOR ONE MINUTE.
  - INSULATION RESISTANCE: 100MΩ MIN. MEASURED BY 500 VDC
- MECHANICAL CHARACTERISTICS:
  - INSERTION FORCE : 0.8~2.0kgf.(INITIAL/AFTER LIFE TEST)
  - WITHDRAWAL FORCE : 0.8~2.0kgf.(INITIAL/AFTER LIFE TEST)
- TEMPERATURE RISE CAN'T EXCEE 30°C
- LIFE TEST: 8,000 CYCLES MIN.
- WEIGHT: 1.143g.
- TO CONFORM TO SINGATRON HAZARDOUS SUBSTANCE FREE SPEC.
- HALOGEN FREE PRODUCT IDENTIFICATION MARK ON JACK: (C)
- HALOGEN FREE PRODUCT IDENTIFICATION LABEL ON PACKAGING: (E)
- FOR HAND SOLDERING LEAD-FREE PROCESS.
- PRINTED DATE CODE "YYMMDD" ON TOP OF CONNECTOR.

DD: DAY  
MM: MONTH  
YY: YEAR



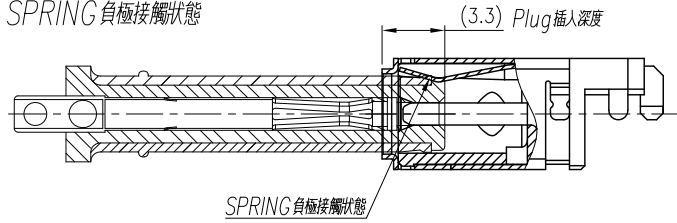
RECOMMEND P.C.B LAYOUT(T=1.0mm)  
TOP VIEW (TOLERANCES:±0.05)



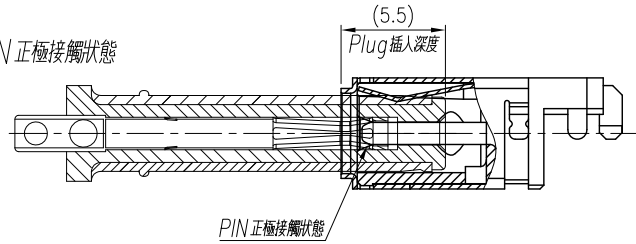
| ITEM                                  | DESCRIPTION    | QTY  | MATERIAL                | PLATING & COLOR   |
|---------------------------------------|----------------|--|-------------------------|---|
| C                                     | SHELL          | 1  | STAINLESS STEEL(SUS304) | Ni 60u"MIN.   |
| B                                     | SPRING(-)      | 1  | PHOSPHR BRONZE(C5210)   | MATTE Sn 120u"Min,OVER Ni50u"Min  |
| A                                     | INSERT MOLDING | 1  | PIN:BRASS BAR(C2680)    | GOLD FLASH ON CONTACT AREA<br>Sn 120u" ON SOLDER TAIL<br>ALL OVER Ni 50u" Min |
|                                       |                | 1  | BODY:(PA4T) UL94V-0     | BLACK   |
| UNLESS OTHERWISE SPECIFIED TOLERANCES |                | Singatron Enterprise Co., Ltd.<br>信音企業股份有限公司 |                         |   |
| DECIMALS: ANGLES:                     |                | TITLE: DC POWER JACK                         |                         |   |
| X                                     | :±0.5          | X  | :±2°                    | DWN YUREN PART NO. 2DC3137-002111F  |
| X.X                                   | :±0.3          | X.X  | :±1°                    | CHKD CERRY SCALE 4:1 UNIT: mm   |
| X.XX                                  | :±0.2          | APVD LIAO                                    | SIZE: A3                | SHEET:1 OF 2 REV:B  |
| CUSTOMER COPY                         |                |  |                         |   |

| REV. | ECN NO OR DESCRIPTION | REVISED | DATE       |
|------|-----------------------|---------|------------|
| A    | PDR NO.T140911-3A     | Allen   | 2015.06.10 |
| B    | ECN NO.S150732-C      | YUREN   | 2015.09.06 |

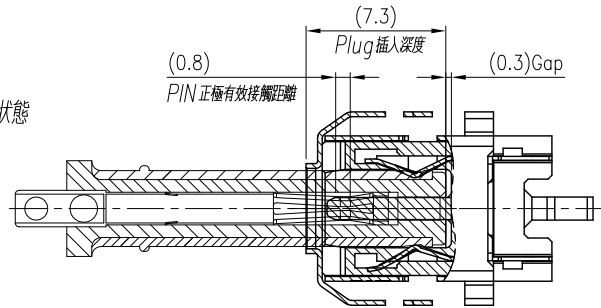
1. SPRING負極接觸狀態



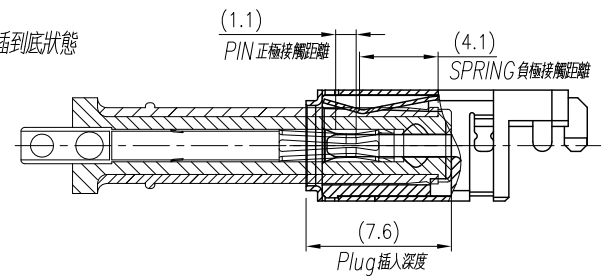
2. PIN正極接觸狀態



3. Lock狀態



4. Plug插到底狀態



| ITEM                                  | DESCRIPTION    | QTY  | MATERIAL | PLATING & COLOR                    |
|---------------------------------------|----------------|--|----------|------------------------------------|
| UNLESS OTHERWISE SPECIFIED TOLERANCES |                | Singatron Enterprise Co., Ltd.<br>信音企業股份有限公司 |          |                                    |
| DECIMALS: ANGLES:                     |                | TITLE DC POWER JACK_MATING DRAWING           |          |                                    |
| X                                     | :±0.5 X :±2°   | DWN  | YUREN    | <b>PART NO. 2DC3137-002111F</b>    |
| X.X                                   | :±0.3 X.X :±1° | CHKD   | CERRY    | SCALE 4:1 UNIT: mm                 |
| X.XX                                  | :±0.2          | APVD   | LIAO     | SIZE: A3 SHEET:2 OF 2 <b>REV:B</b> |
| <b>CUSTOMER COPY</b>                  |                |  |          |                                    |