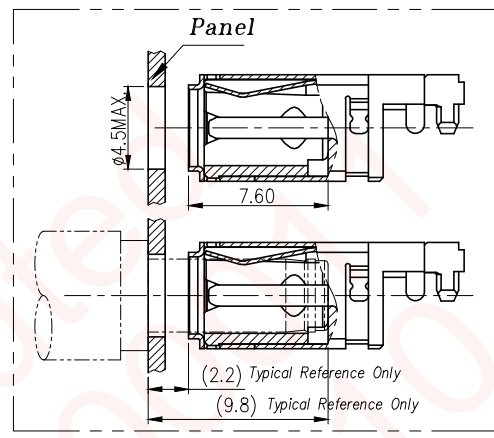
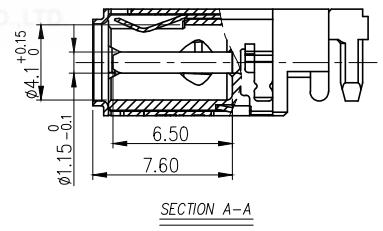
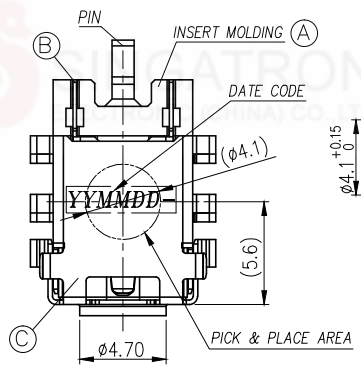
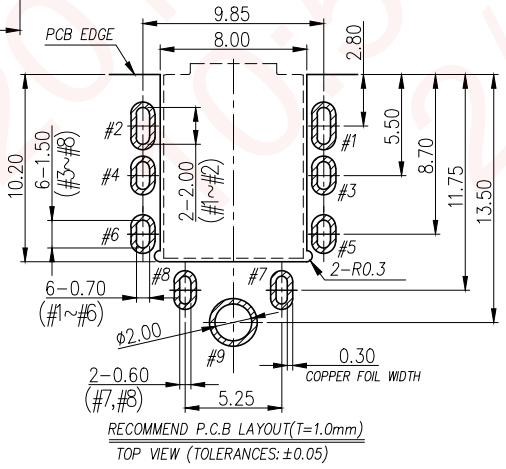
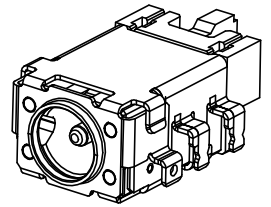
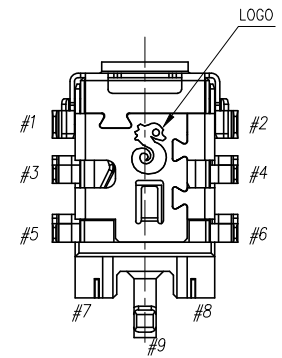
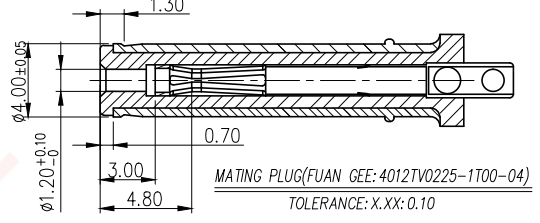
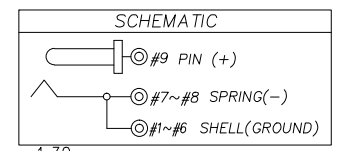
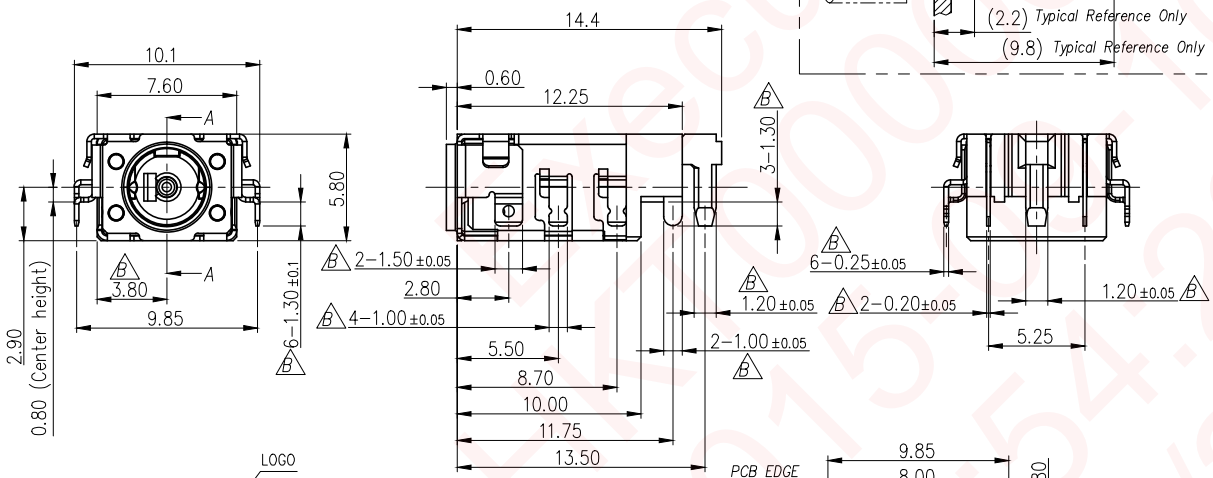


REV.	ECN NO OR DESCRIPTION	REVISED	DATE
A	PDR NO.T141017-4A	Allen	2015.07.02
B	ECN NO.S150732-C	YUREN	2015.09.06



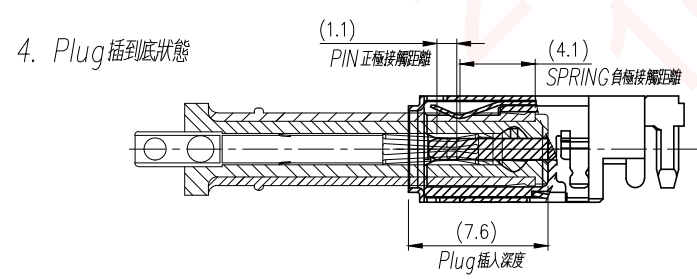
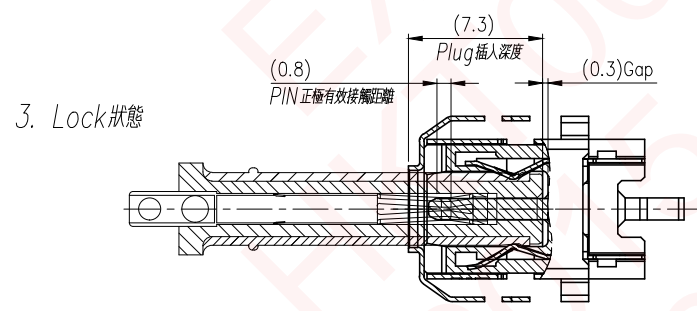
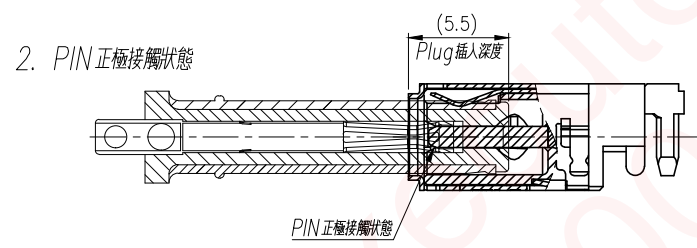
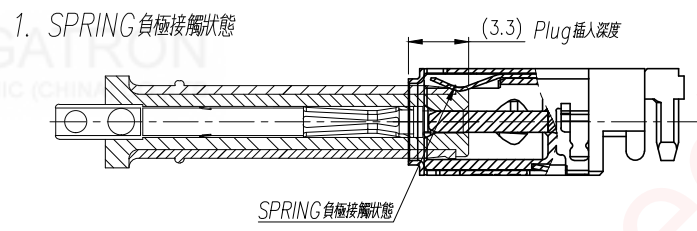
- SPECIFICATIONS:
- ELECTRICAL CHARACTERISTICS:
 - RATING: 20V 5A
 - CONTACT RESISTANCE: 15mΩ MAX.
 - DIELECTRIC WITHSTANDING VOLTAGE: 500V AC FOR ONE MINUTE.
 - INSULATION RESISTANCE: 100MΩ MIN. MEASURED BY 500 VDC
 - MECHANICAL CHARACTERISTICS:
 - INSERTION FORCE : 0.8~2.0kgf.(INITIAL/AFTER LIFE TEST)
 - WITHDRAWAL FORCE : 0.8~2.0kgf.(INITIAL/AFTER LIFE TEST)
 - TEMPERATURE RISE CAN'T EXCEE 30°C
 - LIFE TEST: 8,000 CYCLES MIN.
 - WEIGHT: 1.263g.
 - TO CONFORM TO SINGATRON HAZARDOUS SUBSTANCE FREE SPEC.
 - HALOGEN FREE PRODUCT IDENTIFICATION MARK ON JACK: (C)
 - HALOGEN FREE PRODUCT IDENTIFICATION LABEL ON PACKAGING: (C)
 - FOR REFLOW SOLDERING LEAD-FREE PROCESS.
 - PRINTED DATE CODE "YYMMDD" ON TOP OF CONNECTOR.



C	SHELL	1	STAINLESS STEEL(SUS304)	Ni 60u"MIN.
B	SPRING(-)	1	PHOSPHOR BRONZE(C5210)	MATTE Sn120u"Min, OVER Ni50u"Min.
A	INSERT MOLDING	1	PIN: BRASS BAR(C2680)	GOLD FLASH ON CONTACT AREA Sn 120u" ON SOLDER TAIL ALL OVER Ni 50u" Min
		1	BODY: (PA4T) UL94V-0	BLACK
ITEM	DESCRIPTION	QTY	MATERIAL	PLATING & COLOR
UNLESS OTHERWISE SPECIFIED TOLERANCES		Singatron Enterprise Co., Ltd. 信音企業股份有限公司		
DECIMALS:		TITLE		
X	: ±0.5	DC POWER JACK		
X.X	: ±0.3	DWN	YUREN	PART NO. 2DC3137-003111F
X.XX	: ±0.2	CHKD	CERRY	SCALE 4:1 UNIT: mm
		APVD	LIAO	SIZE: A3 SHEET: 1 OF 2 REV: B
CUSTOMER COPY				



REV.	ECN NO OR DESCRIPTION	REVISED	DATE
A	PDR NO.T141017-4A	Allen	2015.07.02
B	ECN NO.S150732-C	YUREN	2015.09.06



ITEM	DESCRIPTION	QTY	MATERIAL	PLATING & COLOR
UNLESS OTHERWISE SPECIFIED TOLERANCES		Singatron Enterprise Co., Ltd. 信音企業股份有限公司		
DECIMALS: ANGLES:		TITLE DC POWER JACK_MATING DRAWING		
X	:±0.5	X	:±2°	DWN YUREN PART NO. 2DC3137-003111F
X.X	:±0.3	X.X	:±1°	CHKD CERRY SCALE 4:1 UNIT: mm
X.XX	:±0.2	APVD LIAO SIZE: A3 SHEET: 2 OF 2		REV: B
CUSTOMER COPY				