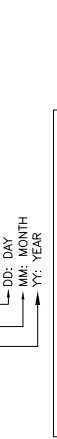
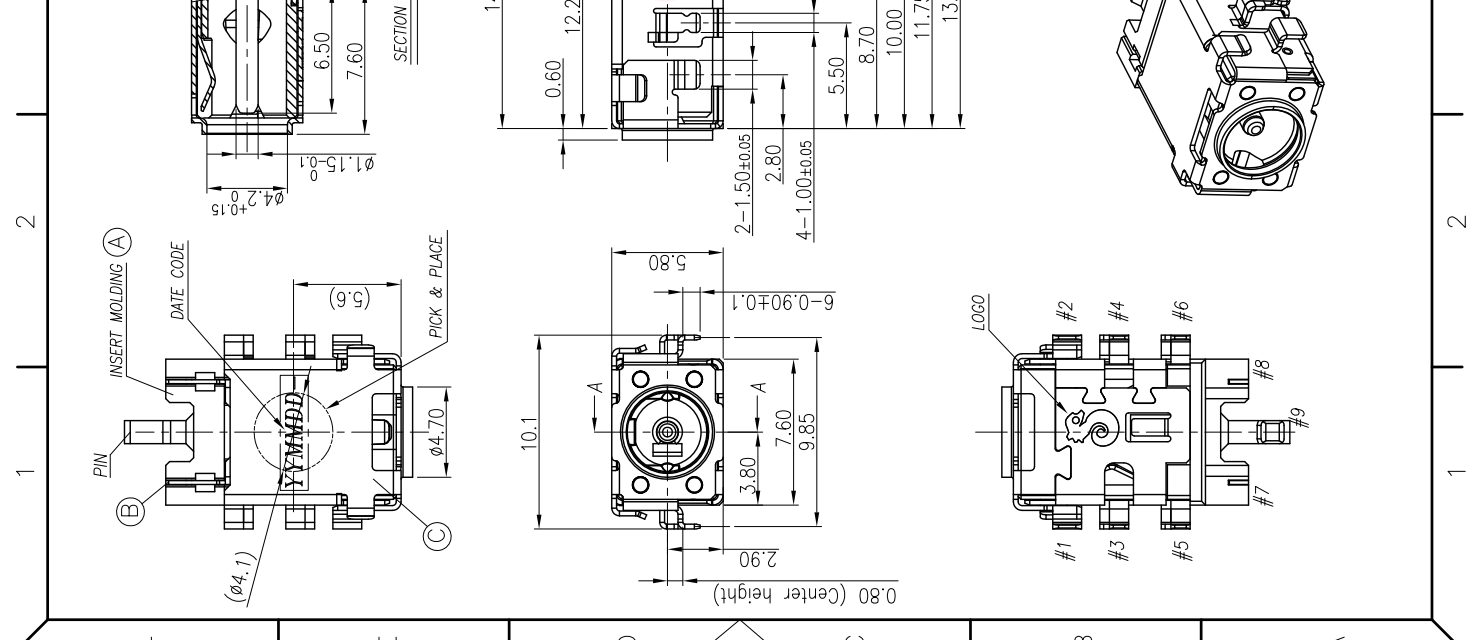
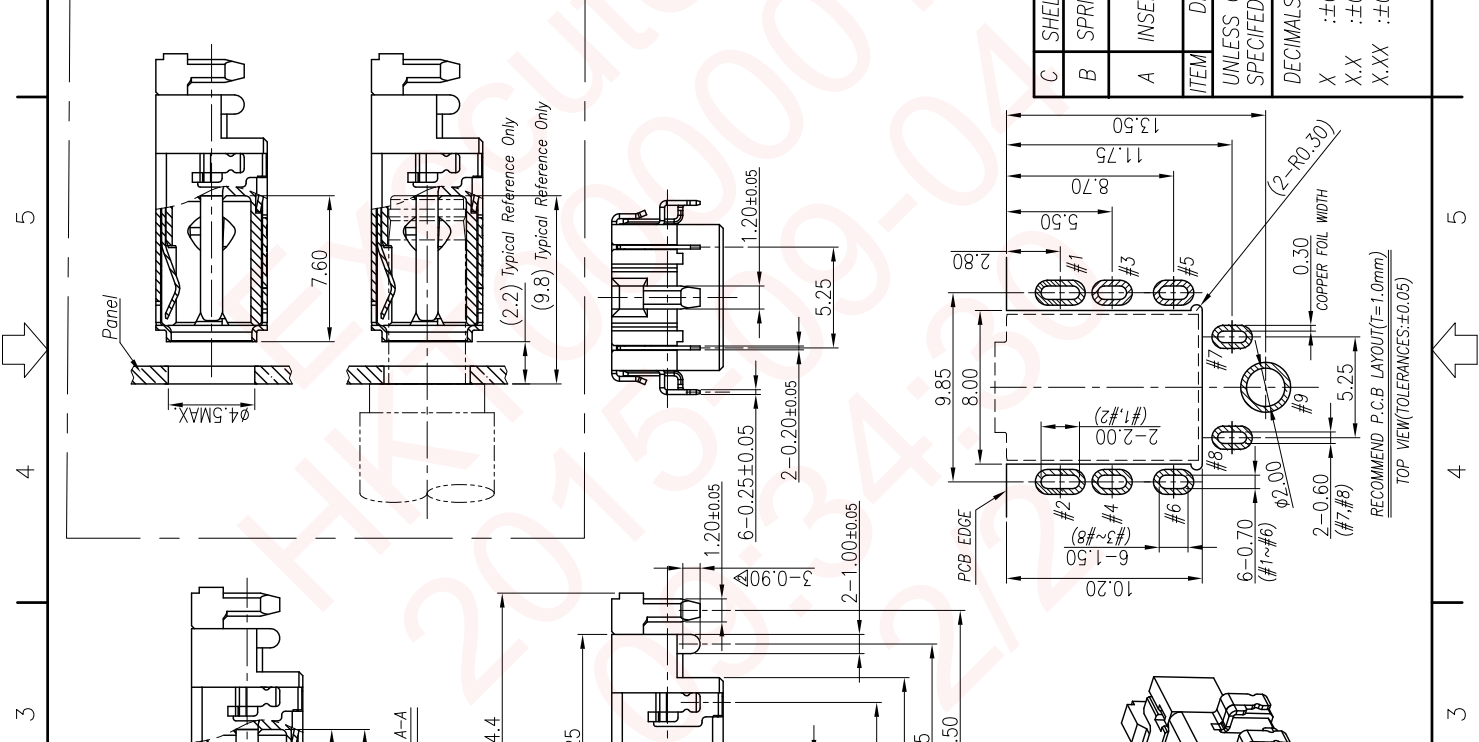
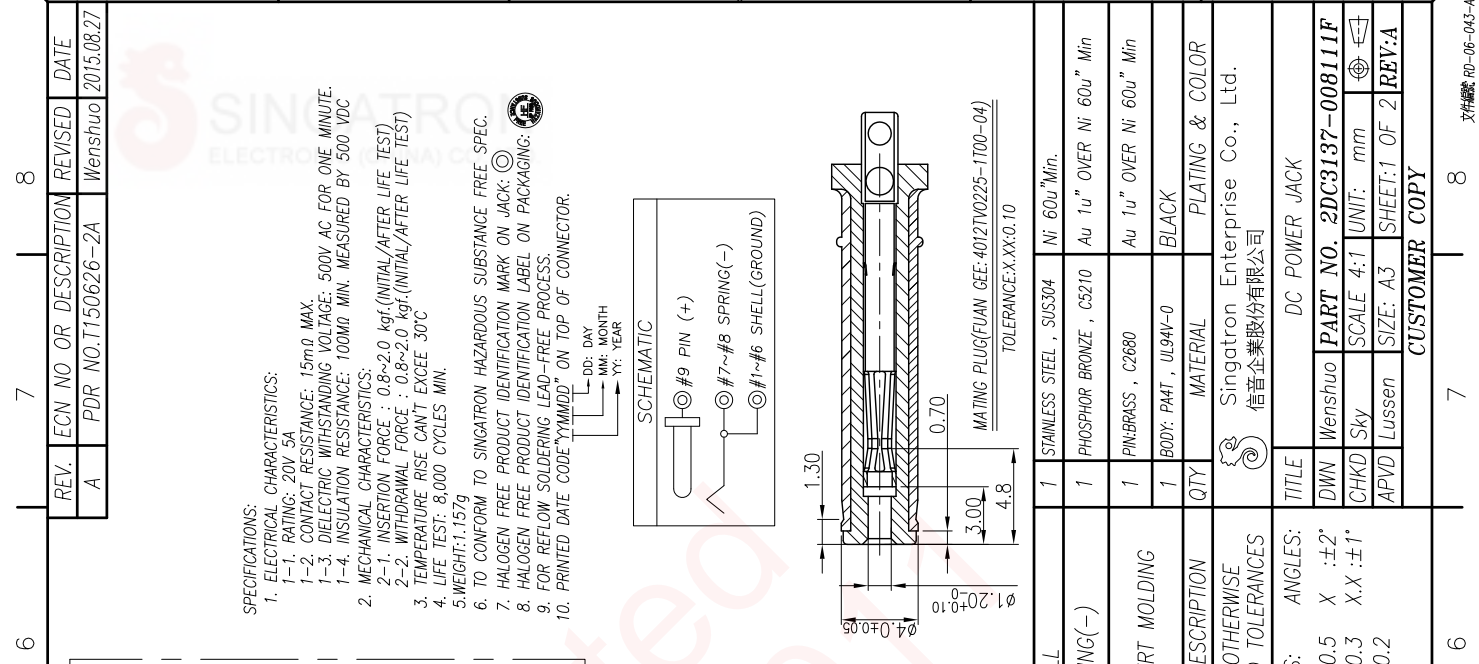


REV. ECN NO OR DESCRIPTION REVISED DATE
A PDR NO.T150626-2A Wenshuo 2015.08.27

- SPECIFICATIONS:
- 1. ELECTRICAL CHARACTERISTICS:
 - 1-1. RATING: 20V 5A
 - 1-2. CONTACT RESISTANCE: 15mΩ MAX.
 - 1-3. DIELECTRIC WITHSTANDING VOLTAGE: 500V AC FOR ONE MINUTE.
 - 1-4. INSULATION RESISTANCE: 100MΩ MIN. MEASURED BY 500 VDC
- 2. MECHANICAL CHARACTERISTICS:
 - 2-1. INSERTION FORCE : 0.8~2.0 kgf.(INITIAL/AFTER LIFE TEST)
 - 2-2. WITHDRAWAL FORCE : 0.8~2.0 kgf.(INITIAL/AFTER LIFE TEST)
- 3. TEMPERATURE RISE CAN'T EXCEE 30°C
- 4. LIFE TEST: 8,000 CYCLES MIN.
- 5.WEIGHT:1.157g
- 6. TO CONFORM TO SINGATRON HAZARDOUS SUBSTANCE FREE SPEC.
- 7. HALOGEN FREE PRODUCT IDENTIFICATION MARK ON JACK: ☉
- 8. HALOGEN FREE PRODUCT IDENTIFICATION LABEL ON PACKAGING:
- 9. FOR REFLOW SOLDERING LEAD-FREE PROCESS.
- 10. PRINTED DATE CODE"YYMMDD" ON TOP OF CONNECTOR.



7 8 6 5 4 3 2 1 F E D C B A



ITEM	DESCRIPTION	QTY	MATERIAL	PLATING & COLOR
C	SHELL	1	STAINLESS STEEL, SUS304	Ni 60μ Min.
B	SPRING(-)	1	PHOSPHOR BRONZE, C5210	Au 1u" OVER Ni 60μ Min
A	INSERT MOLDING	1	PIN:BRASS, C2680	Au 1u" OVER Ni 60μ Min
		1	BODY: PA4T, UL94V-0	BLACK
SINGATRON ENTERPRISE CO., LTD. 信晋企业股份有限公司				
TITLE: DC POWER JACK				
PART NO. 2DC3137-008111F				
DWG Wenshuo				
CHKD Sky				
APVD Lussen				
SCALE: 4:1				
UNIT: mm				
SIZE: A3				
SHEET: 1 OF 2				
REV: A				
CUSTOMER COPY				

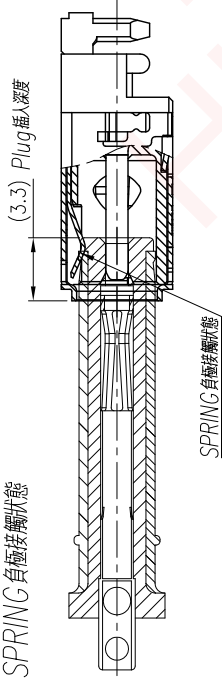
DECIMALS: ANGLES: X :±0.5 X :±2° X.X :±0.3 X.X :±1° X.XX :±0.2 X.XX :±0.2

RECOMMEND P.C.B LAYOUT(T=1.0mm) TOP VIEW(TOLERANCES:±0.05)

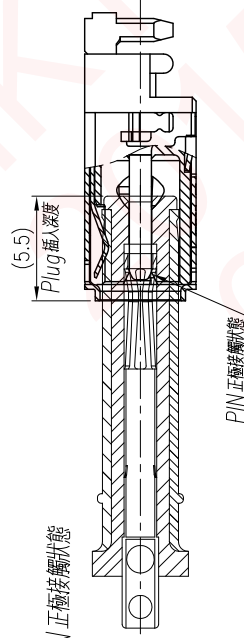
文件编号: RD-06-063-A

7 8 6 5 4 3 2 1

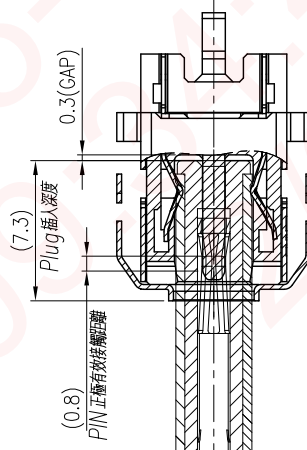
1. SPRING 負極接觸狀態



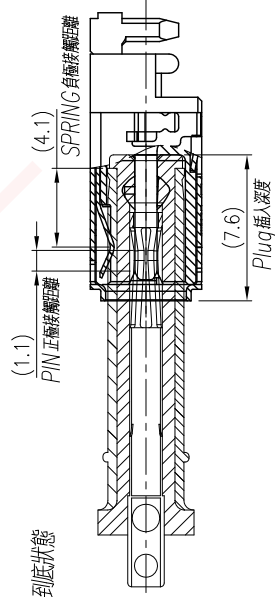
2. PIN 正極接觸狀態



3. Lock 狀態



4. Plug 插到底狀態



REV.	ECN NO OR DESCRIPTION	REVISED	DATE
A	PDR NO.T150626-2A	Wenshuo	2015.08.27

ITEM	DESCRIPTION	QTY	MATERIAL	PLATING & COLOR
	UNLESS OTHERWISE SPECIFIED TOLERANCES		Singatron Enterprise Co., Ltd. 信音企業股份有限公司	
	DECIMALS:	TITLE	DC POWER JACK_MATING DRAWING	
X	:±0.5	DWN	Wenshuo	PART NO. 2DC3137-008111F
X X	:±0.3	CHKD	Sky	SCALE: 4:1 UNIT: mm
X.XX	:±0.2	APVD	Lussen	SIZE: A3 SHEET:2 OF 2 REV:A
CUSTOMER COPY				