

11. PRINTED DATE CODE "TRIMED" ON TOP OF CONNECTOR.
10. FOR RETLOW SOLDERING LEAD-FREE PROCESS.
9. HALOGEN FREE PRODUCT IDENTIFICATION MARK ON PACKAGING.
8. HALOGEN FREE PRODUCT IDENTIFICATION MARK ON JACKS.
7. TO CONFORM TO SINGAPORE HAZARDOUS SUBSTANCE FREE SPEC.
6. OTHER SPEC. REFER TO "DC POWER JACK GENERAL SPEC. FOR ASUS".
5. WEIGHT : 2.2 g
4. LIFE TEST : 8,000 CYCLES MIN.
3. TEMPERATURE RISE CAN'T EXCEED 30°C
- 2-2. WITHDRAWAL FORCE : 0.8~2.0 kg (INITIAL / AFTER LIFE TEST)
- 2-1. INSERTION FORCE : 0.8~2.0 kg (INITIAL / AFTER LIFE TEST)
2. MECHANICAL CHARACTERISTICS:
- 1-4. INSULATION RESISTANCE : 100MΩ MIN. MEASURED BY 500 VDC
- 1-3. DIELECTRIC WITHSTANDING VOLTAGE : 500V AC FOR ONE MINUTE.
- 1-2. CONTACT RESISTANCE : 15mΩ MAX.
- 1-1. RATING : 20V 10A
- SPECIFICATIONS:
1. ELECTRICAL CHARACTERISTICS:

ITEM	DESCRIPTION	QTY	MATERIAL	PLATING & COLOR
A	BODY	1	PA 4T UL 94V-0	BLACK
B	SPRING	1	PHOSPHOR BRONZE (C5210)	MATTE Sn120V" OVER Ni 60V"
C	PIN	1	BRASS BAR(HB59)	GOLD FLASH OVER Ni 60"
D	TERMINAL	1	STAINLESS (SUS 301)	N/A
E	SHELL	1	STAINLESS (SUS 430)	Ni 60V"

UNLESS OTHERWISE SPECIFIED TOLERANCES

DECIMALS: ANGLES:

X : ±0.5 X : ±2°

X.X : ±0.3 X.X : ±1°

X.XX : ±0.2

TITLE: Ø5.5 DC POWER JACK

DWN Allen PART NO. 2DC3158-004111F

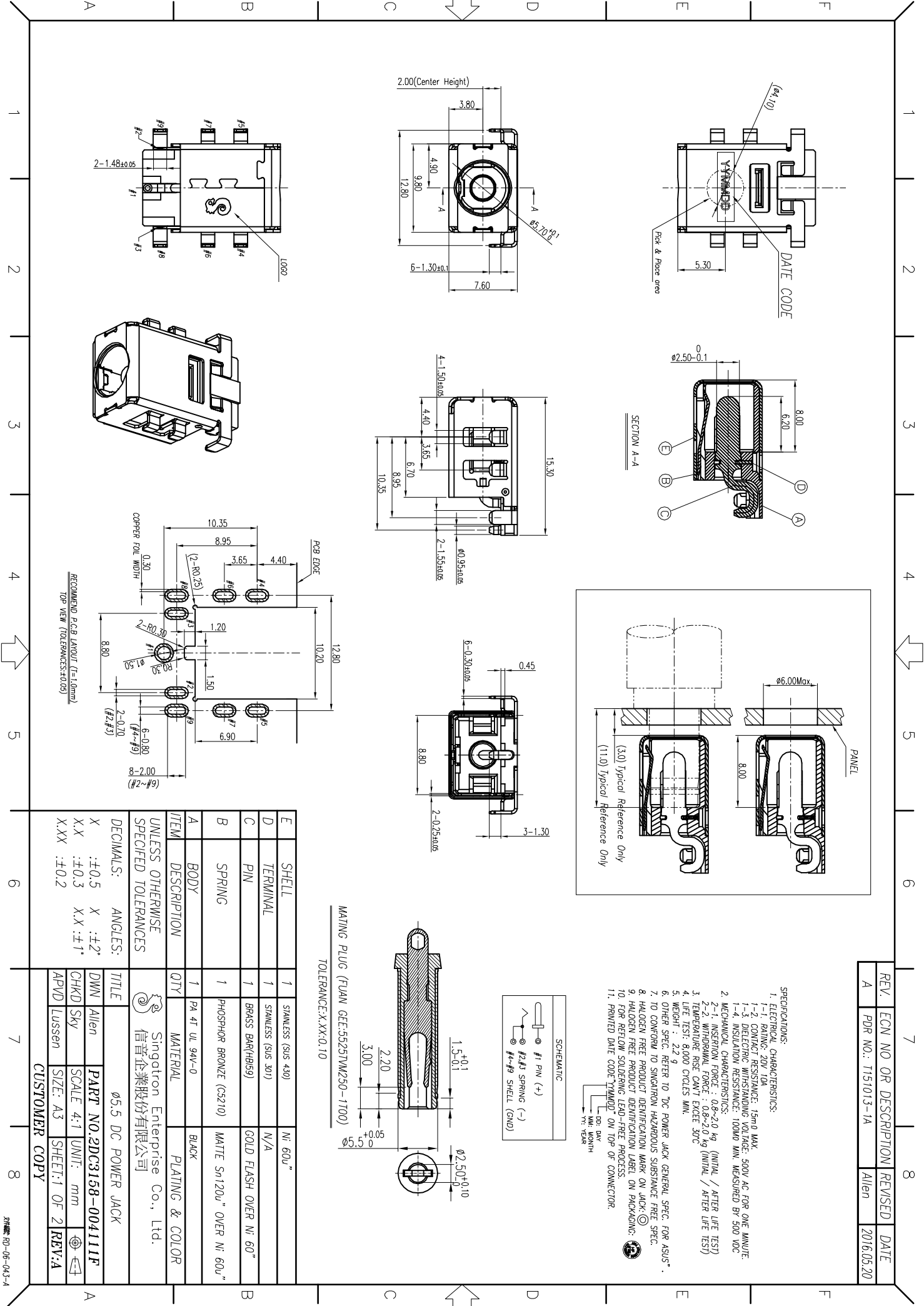
CHKD Sky SCALE 4:1 UNIT: mm

APVD Lussen SIZE: A3 SHEET: 1 OF 2 REV: A

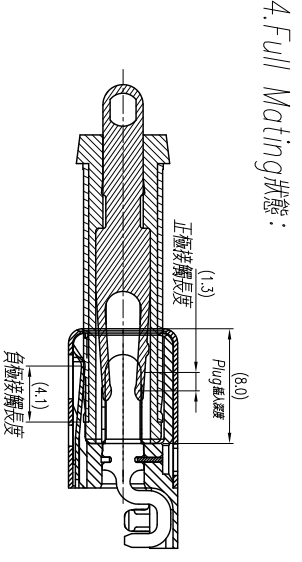
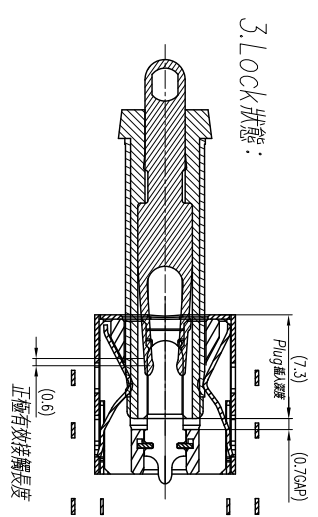
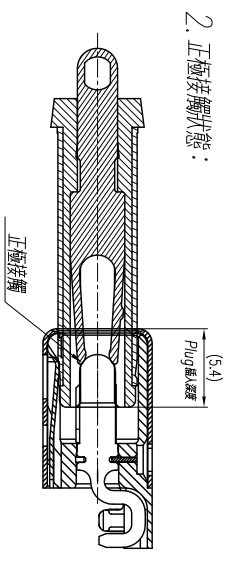
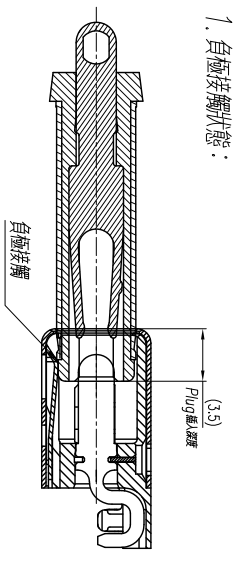
CUSTOMER COPY

Singttron Enterprise Co., Ltd.
信晉企業股份有限公司

REV.	ECN NO	OR DESCRIPTION	REVISED	DATE
A	PDR NO.: T151013-1A	Allen	2016.05.20	



REV.	ECN NO OR DESCRIPTION	REVISED	DATE
A	PDR NO.: T151013-1A	Allen	2016.05.20



ITEM	DESCRIPTION	QTY	MATERIAL	PLATING & COLOR
	UNLESS OTHERWISE SPECIFIED TOLERANCES		Singatron Enterprise Co., Ltd. 信音企業股份有限公司	
DECIMALS:	ANGLES:			
X : ±0.5	X : ±2°			
X.X : ±0.3	X.X : ±1°			
X.XX : ±0.2				
TITLE	Ø5.5 DC POWER JACK_MATING DRAWING			
DWN	Allen		PART NO.2DC3158-004111P	
CHKD	Sky		SCALE 4:1 UNIT: mm	
APVD	Lussen		SIZE: A3 SHEET:2 OF 2 REV:A	

CUSTOMER COPY