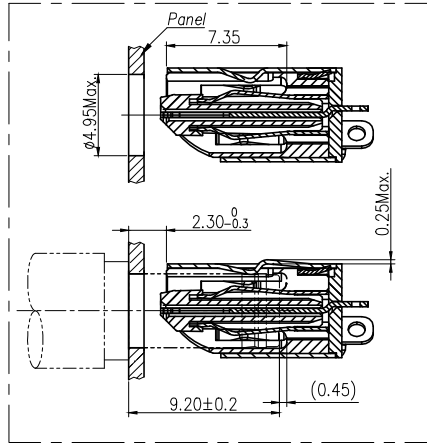
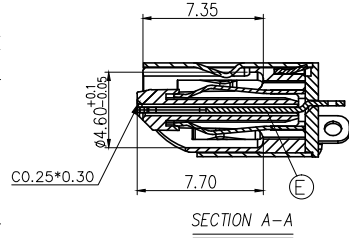
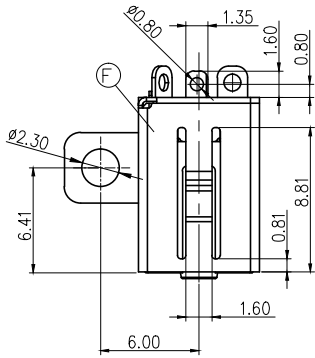
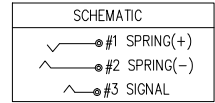
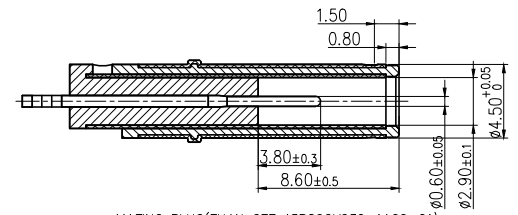
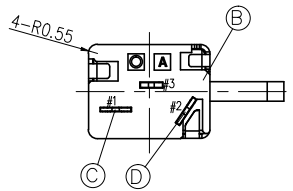
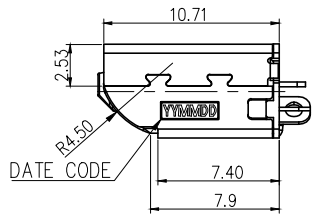
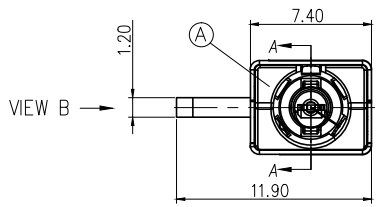


REV.	ECN NO OR DESCRIPTION	REVISED	DATE
A	PDR NO.T151222-2A	Wenshuo	2016.07.28
B	ECN NO.S161226-C	YUREN	2017.1.18

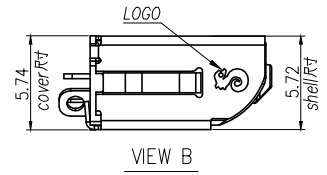
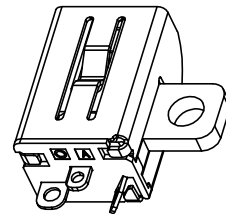
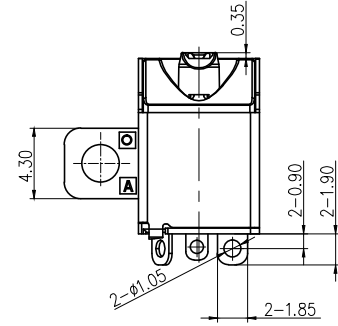


- SPECIFICATIONS:
- ELECTRICAL CHARACTERISTICS:
 - RATING: 20V 7A
 - CONTACT RESISTANCE: 30mΩ MAX.
 - DIELECTRIC WITHSTANDING VOLTAGE: 500V AC FOR ONE MINUTE.
 - INSULATION RESISTANCE: 100MΩ MIN. MEASURED BY 500 VDC
 - MECHANICAL CHARACTERISTICS:
 - INSERTION FORCE: 2.0 Kgf MAX.
 - WITHDRAWAL FORCE: 0.7~2.0Kgf.(Initial); 0.6~2.0Kgf.(5000 cycles), 0.5~2.0Kgf.(15000 cycles)
 - TEMPERATURE RISE CAN'T EXCEED 30C
 - LIFE TEST: 15,000 CYCLES.
 - WEIGHT: 0.904g
 - TO CONFORM TO SINGATRON HAZARDOUS SUBSTANCE FREE SPEC.
 - GREEN PRODUCT IDENTIFICATION MARK ON JACK:
 - GREEN PRODUCT IDENTIFICATION LABEL ON PACKAGING:
 - FOR HAND SOLDERING LEAD-FREE PROCESS.
 - PRINTED DATE CODE "YYMMDD" ON TOP OF CONNECTOR

YYMMDD
 DD: DAY
 MM: MONTH
 YY: YEAR



MATING PLUG(FUAN GEE: 45P06CV230-1A00-01)
 TOLERANCE: X.XX: ±0.10

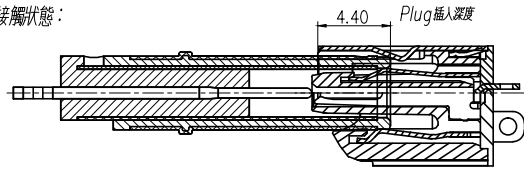


NO	DESCRIPTION	QTY	MATERIAL	PLATING & COLOR
F	SHELL	1	STAINLESS STEEL 0.25T	Ni 60u"
E	SIGNAL	1	COPPER ALLOY 0.30T	Au 3u" ON CONTACT AREA; MATTE Sn 120u" ON SOLDER TAIL; ALL OVER Ni 60u"
D	NEGATIVE	1	COPPER ALLOY 0.25T	MATTE Sn 120u" OVER Ni 60u"
C	POSITIVE	1	COPPER ALLOY 0.20T	MATTE Sn 120u" OVER Ni 60u"
B	COVER	1	HIGH TEMP.THERMOPLASTIC (HALOGEN FREE)UL 94V-0	BLACK
A	BODY	1	THERMOPLASTIC (HALOGEN FREE)UL 94V-0	BLACK

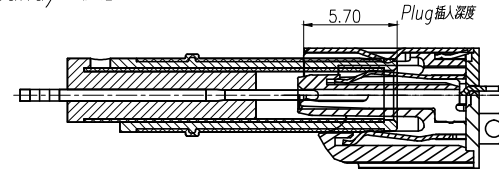
UNLESS OTHERWISE SPECIFIED TOLERANCES		Singatron Enterprise Co., Ltd. 信音企業股份有限公司	
DECIMALS: X : ±0.5 X.X : ±0.3 X.XX : ±0.2		TITLE DC POWER JACK DWN YUREN PART NO. 2DC3165-005114F CHKD CERRY SCALE 4:1 UNIT: mm APVD LIAO SIZE: A3 SHEET: 1 OF 2 REV: B	
ANGLES: X : ±2° X.X : ±1°		CUSTMER COPY	

REV.	ECN NO OR DESCRIPTION	REVISED	DATE
A	PDR NO.T151222-2A	Wenshuo	2016.07.28
B	ECN NO.S161226-C	YUREN	2017.1.18

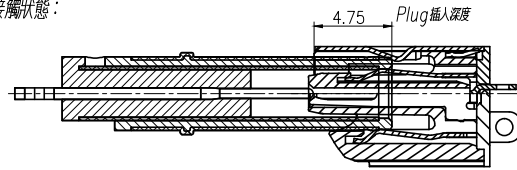
1. Negative 接觸狀態:



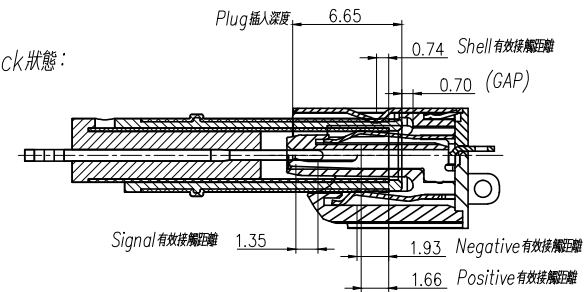
5. Shell (ground) 接觸狀態:



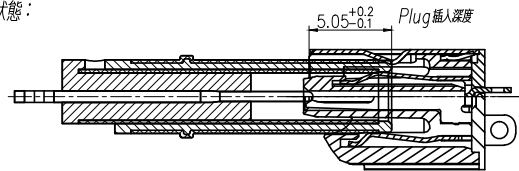
2. Positive 接觸狀態:



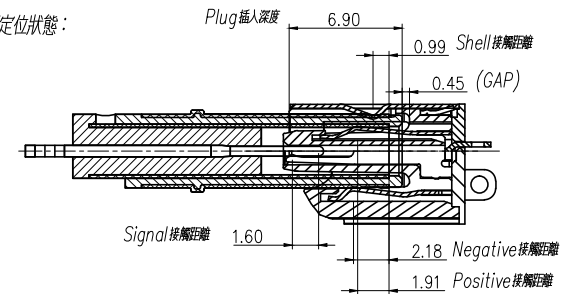
6. Shell Lock 狀態:



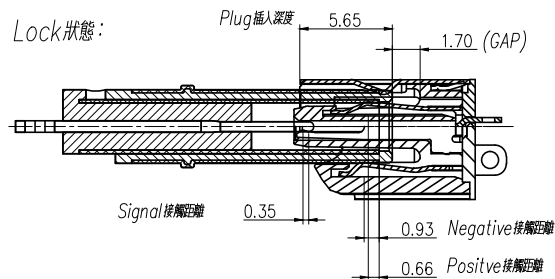
3. Signal 接觸狀態:



7. Plug 插至定位狀態:



4. Negative Lock 狀態:



ITEM	DESCRIPTION	QTY	MATERIAL	PLATING & COLOR
UNLESS OTHERWISE SPECIFIED TOLERANCES		Singatron Enterprise Co., Ltd. 信音企業股份有限公司		
DECIMALS: ANGLES:		TITLE DC POWER JACK_MATING DRAWING		
X	: ±0.5	X	: ±2°	DWN YUREN PART NO. 2DC3165-005114F
X.X	: ±0.3	X.X	: ±1°	CHKD CERRY SCALE 4:1 UNIT: mm
X.XX	: ±0.15	APVD LIAO SIZE: A3 SHEET: 2 OF 2 REV: B		
CUSTOMER COPY				