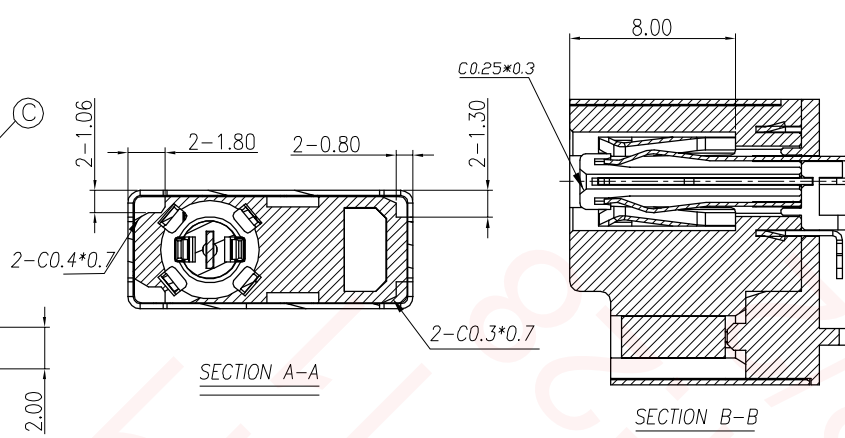
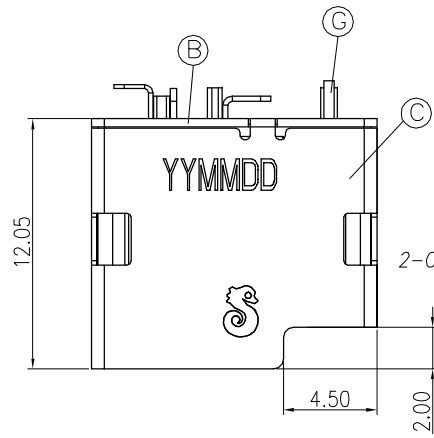
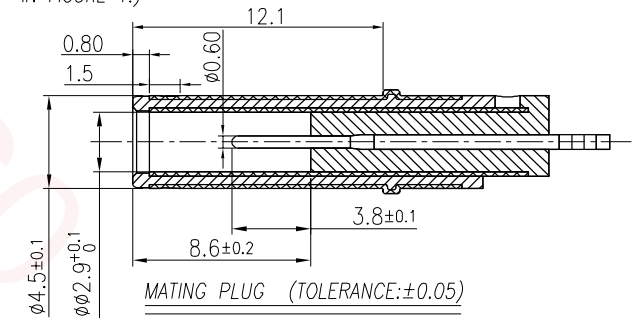
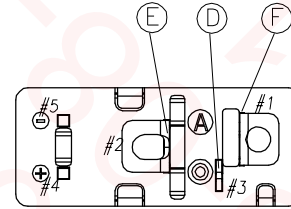
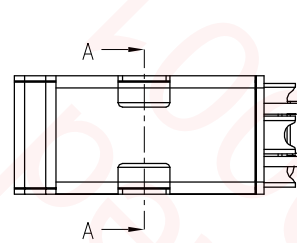
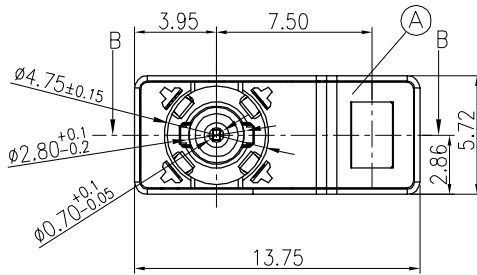


REV.	ECN NO OR DESCRIPTION	REVISED	DATE
A	PDR NO.T150616-7B	Ron	2015.08.03



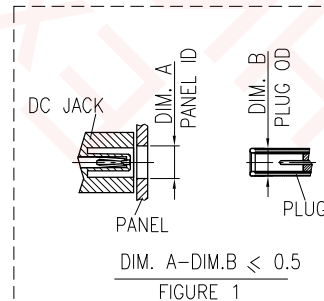
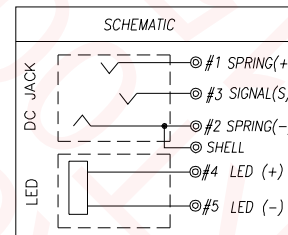
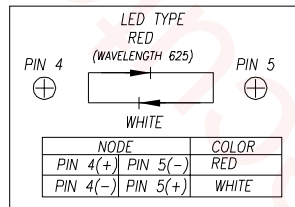
SPECIFICATIONS:

- ELECTRICAL CHARACTERISTICS:
 - RATING: 20V 7.5A
 - CONTACT RESISTANCE: 30mΩ MAX.
 - DIELECTRIC WITHSTANDING VOLTAGE: 500V AC FOR ONE MINUTE.
 - INSULATION RESISTANCE: 100MΩ MIN. MEASURED BY 500 VDC
- MECHANICAL CHARACTERISTICS:
 - INSERTION FORCE: 2.5 Kgf MAX.
 - WITHDRAWAL FORCE: INITIAL 0.8 Kgf Min. AFTER LIFE TEST: 0.5kgf MIN
- LIFE TEST: 5,000 CYCLES.
- OTHER GENERAL SPEC. TO REFER "2DC3166-001114F SPEC".
- HALOGEN FREE PRODUCT IDENTIFICATION MARK ON JACK: (C)
- HALOGEN FREE PRODUCT IDENTIFICATION LABEL ON PACKAGING: (E)
- FOR HAND SOLDERING LEAD-FREE PROCESS.
- PRINTED DATE CODE "YYMMDD" ON TOP OF CONNECTOR. (YYMMDD YY:YEAR MM:MONTH DD:DAY)
- THE PANEL'S ID MUST BE GREATER THAN THE PLUG'S OD WHICH MUST HAVE A DIFFERENCE OF LESS THAN OR EQUAL TO 0.5 mm. (AS SHOWN IN FIGURE 1.)



MATING PLUG (TOLERANCE:±0.05)

皇積 P/N: 45P06CV230-1A00-01



LED Soldering Condition:

Peak temperature	Dwell time
SOLDERING IRON 350 °C Max.	3 sec Max.
	(ONE TIME ONLY)

G	LED (皇積&AVAGO)	1	GaN/SiC	WHITE/RED(625) LIGHT
F	SPRING(+)	1	COPPER ALLOY 0.20T	Ni (50u" Min.) UNDERPLATED OVER ALL , Pd/Ni (25u" Min.) & GOLD-PLATED(5u" Min.) AT CONTACT AREA .
E	SPRING(-)	1	COPPER ALLOY 0.25T	AND Sn 120u" Min. ON SOLDER TAIL .
D	SIGNAL	1	COPPER ALLOY 0.30T	
C	SHELL	1	SUS 304-1/2H 0.25T	Ni 50u" Min.
B	COVER	1	THERMOPLASTIC UL 94V-0 (HALOGEN FREE)	BLACK
A	BODY	1	THERMOPLASTIC UL 94V-0 (HALOGEN FREE)	BLACK
NO	DESCRIPTION	QTY	MATERIAL	PLATING & COLOR
UNLESS OTHERWISE SPECIFIED TOLERANCES		Singatron Enterprise Co., Ltd. 信音企業股份有限公司		
DECIMALS:		ANGLES:	TITLE	
X	:±0.5	X	:±2°	DC POWER JACK WITH LED
X.X	:±0.3	X.X	:±1°	DWN Ron PART NO. 2DC3166-001114F
X.XX	:±0.2			CHKD Sky SCALE 4:1 UNIT: mm
				APVD Lussen SIZE: A3 SHEET: 1 OF 1 REV:A

CUSTOMER COPY